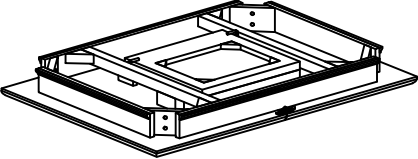
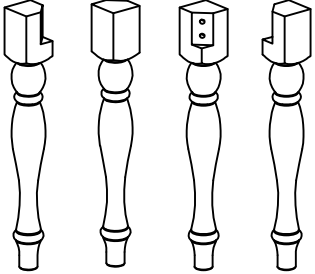




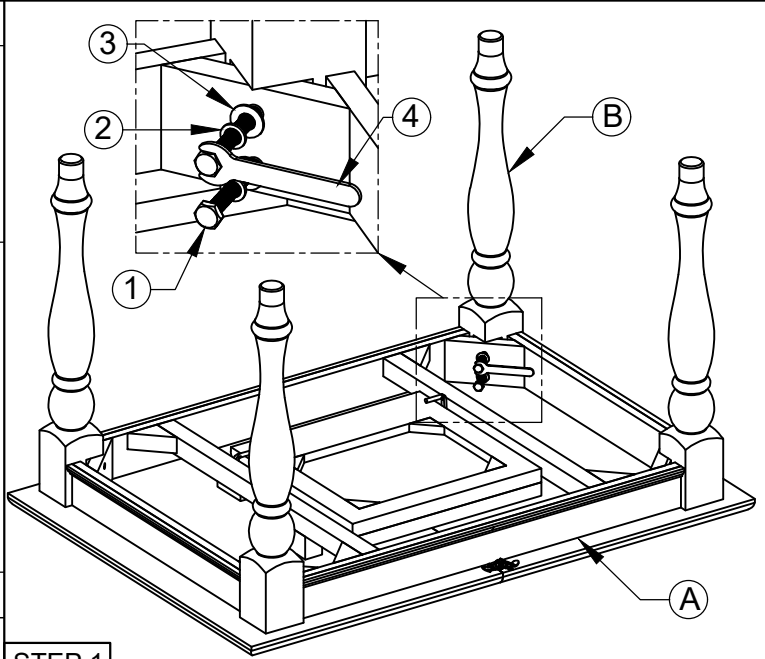
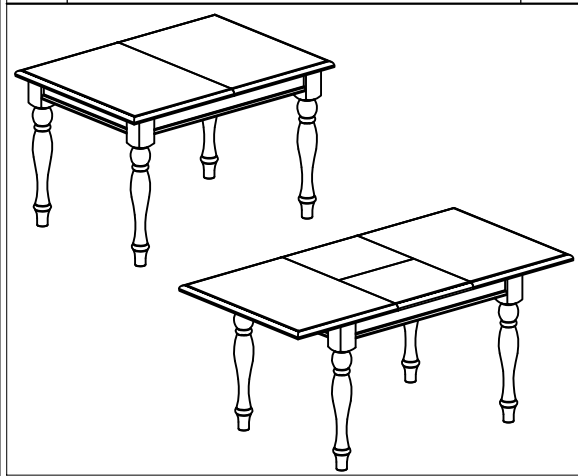


## ASSEMBLY INSTRUCTION G5000 - SMALL EXT. DINING TABLE

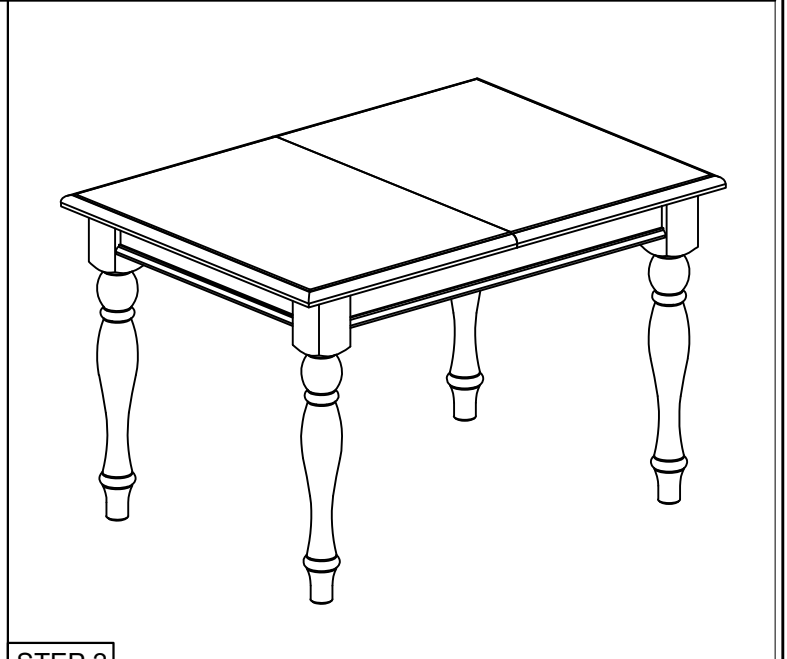
No.	Part name	Q'ty
A		1

B		4
---	---	---

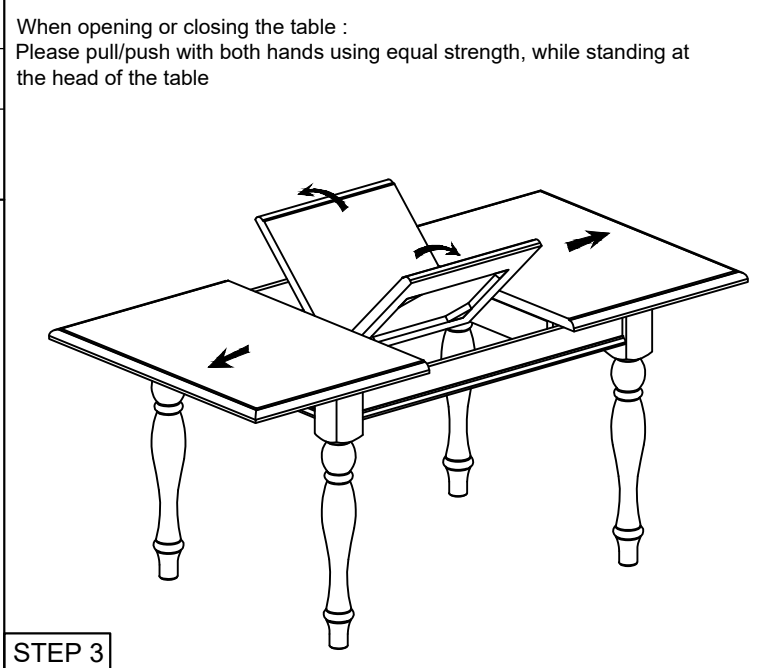
No.	Hardware name	Q'ty
1	Bolt M10x70 	8
2	Lock Washer M10 	8
3	Washer M10 	8
4	Wrench 	1



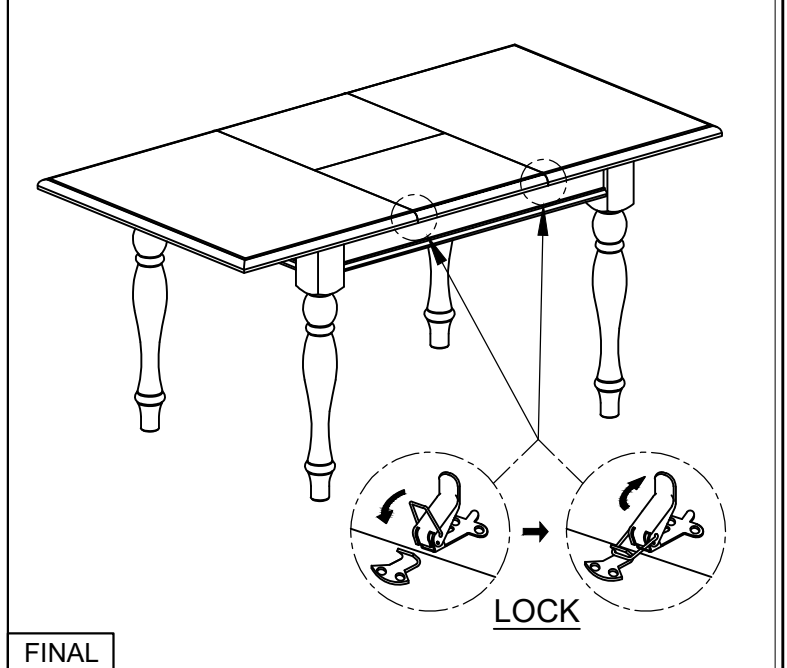
**STEP 1**



**STEP 2**



**STEP 3**



**FINAL**