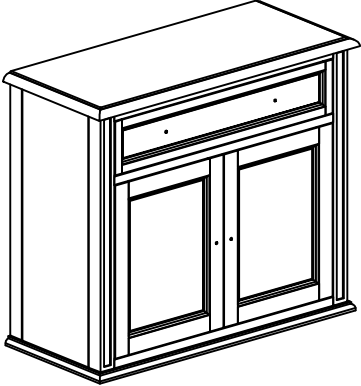
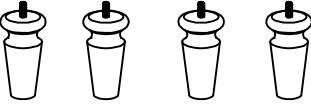




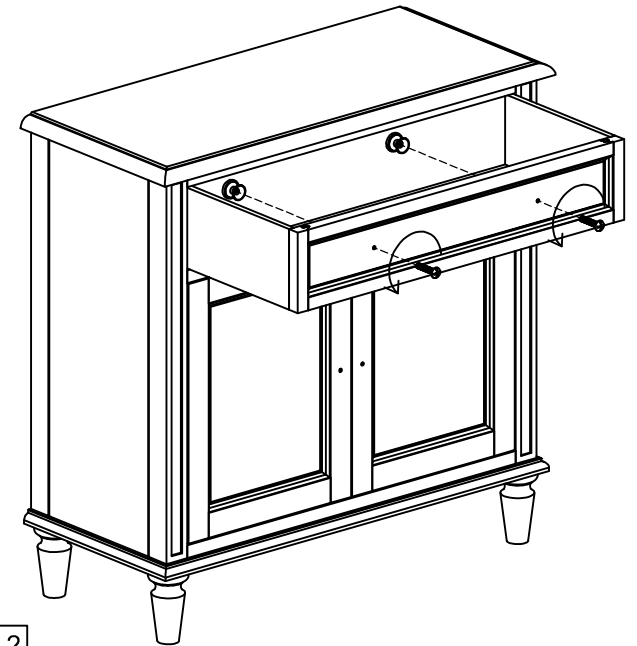
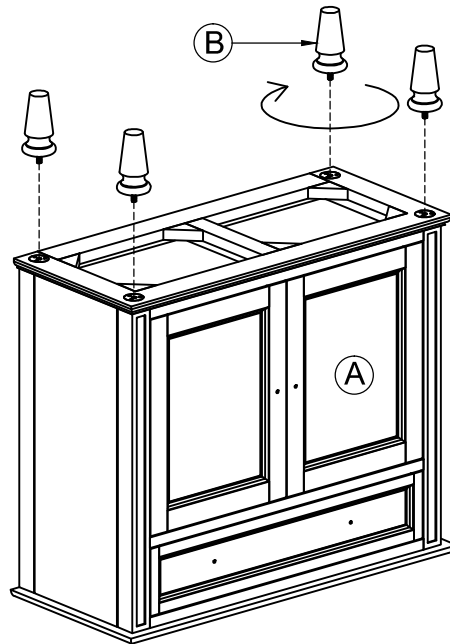
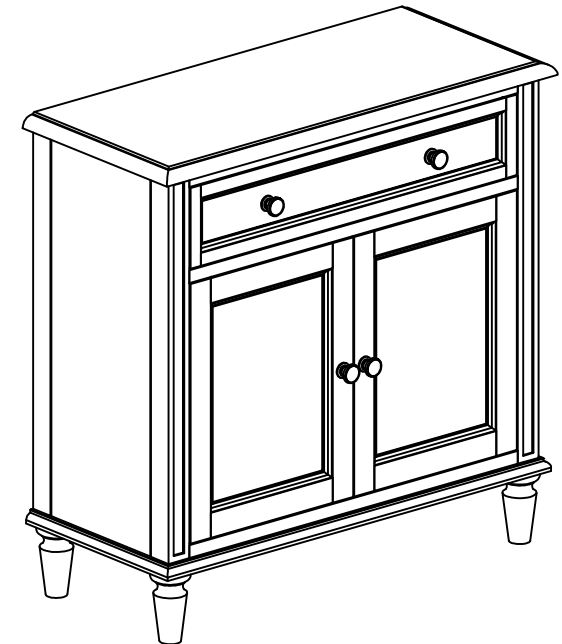
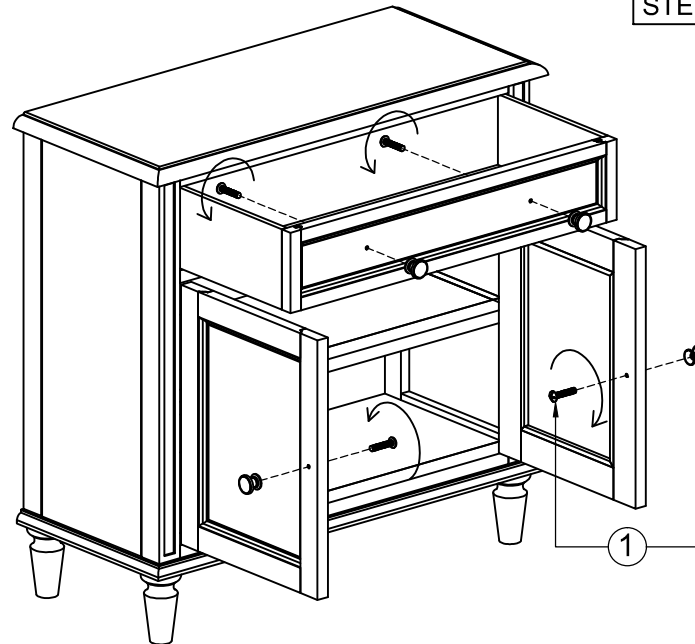


# ASSEMBLY INSTRUCTION G4996 - MINI SIDEBORD

No.	Part name	Q'ty
A		1
B		4
No.	Hardware name	Q'ty
1	Handle with Bolt 	2
2	Bracket 	2
3	Tie 	1
4	Screw Ø4x20 	2



STEP 1 STEP 2  
STEP 3



ASSEMBLY INSTRUCTION  
G4996 - MINI SIDEBORD

STEP 4 | STEP 5

