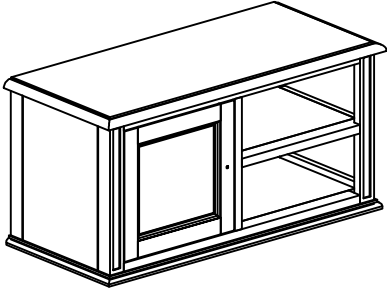


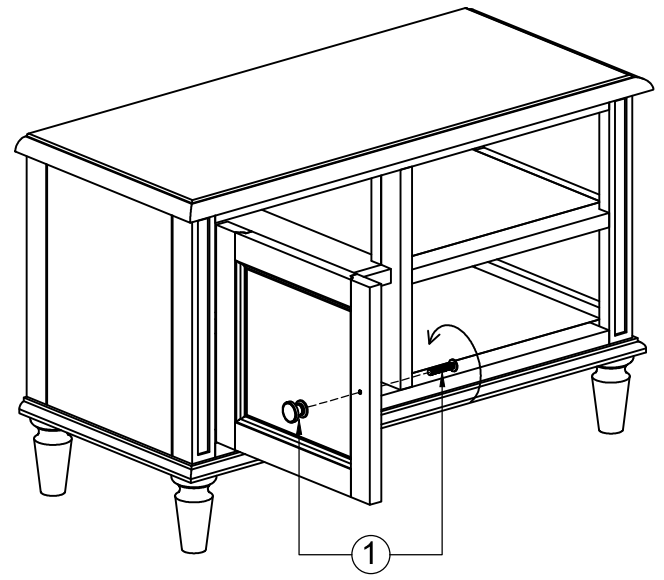
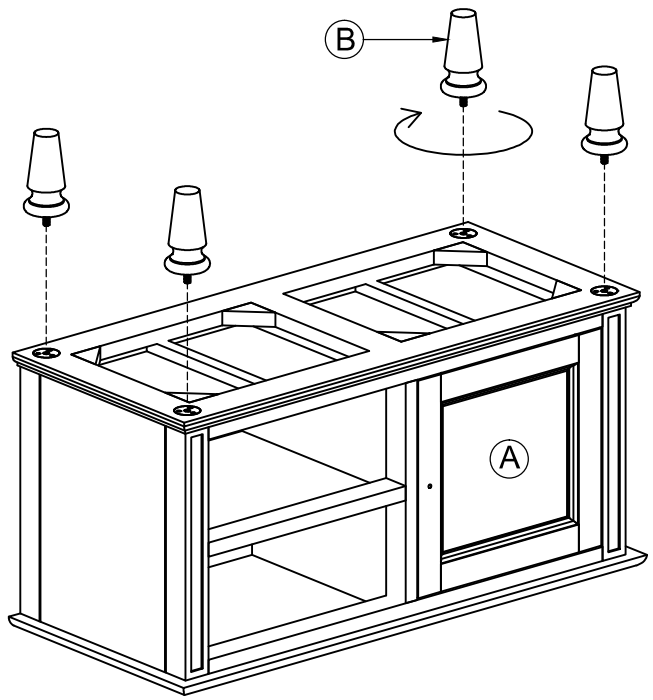


ASSEMBLY INSTRUCTION

G4992 - SMALL TV UNIT WITH DOOR

No.	Part name	Q'ty
A		1
B		4
No.	Hardware name	Q'ty
1	Handle with Bolt 	1

STEP 1 STEP 2



FINAL

