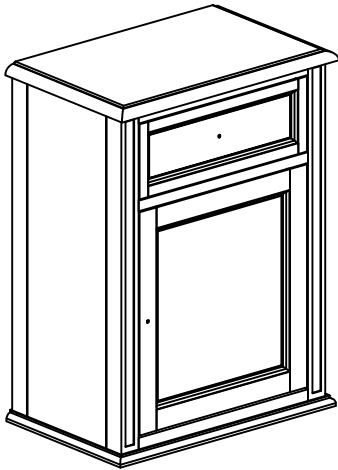

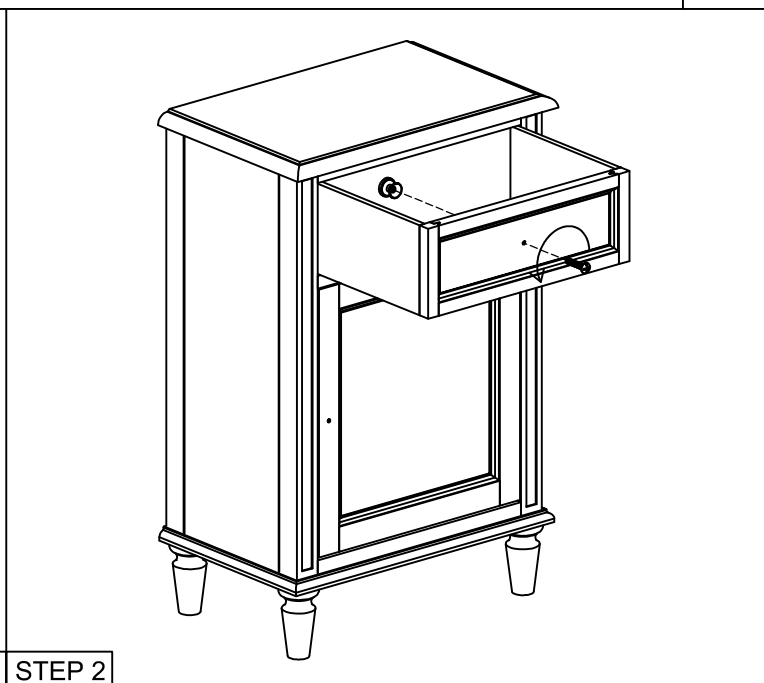
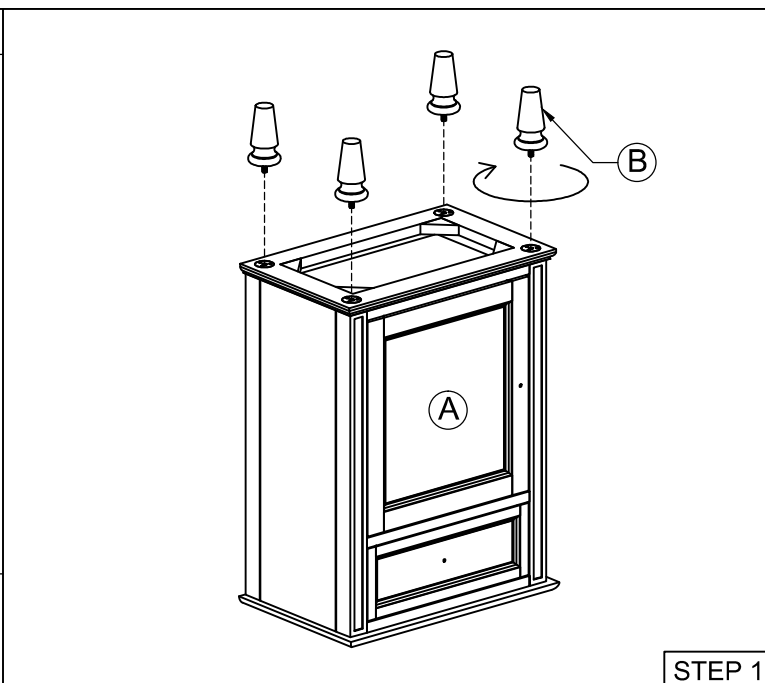






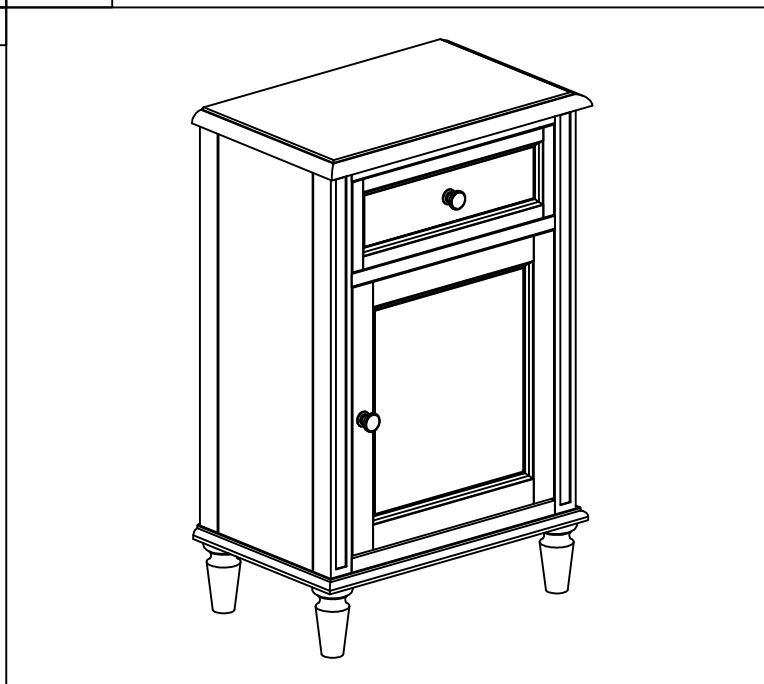
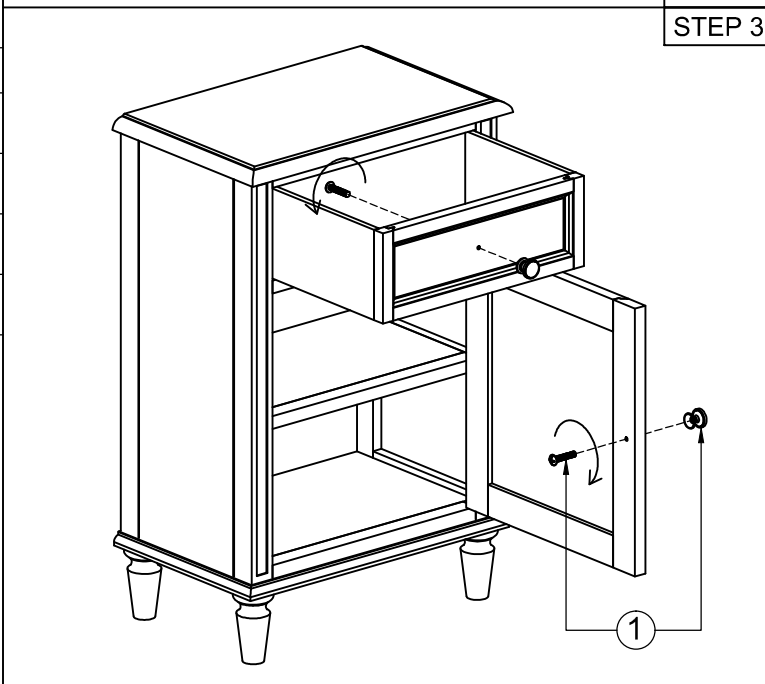
ASSEMBLY INSTRUCTION G4990 - TELEPHONE TABLE

No.	Part name	Q'ty
A		1
B		4



STEP 1 STEP 2
STEP 3

No.	Hardware name	Q'ty
1	Handle with Bolt 	1
2	Bracket 	2
3	Tie 	1
4	Screw Ø4x20 	2



ASSEMBLY INSTRUCTION
G4990 - TELEPHONE TABLE

STEP 4 | STEP 5

