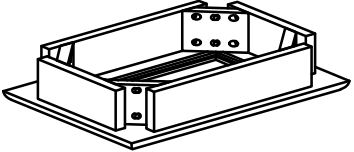

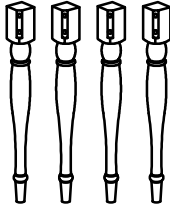
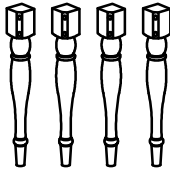




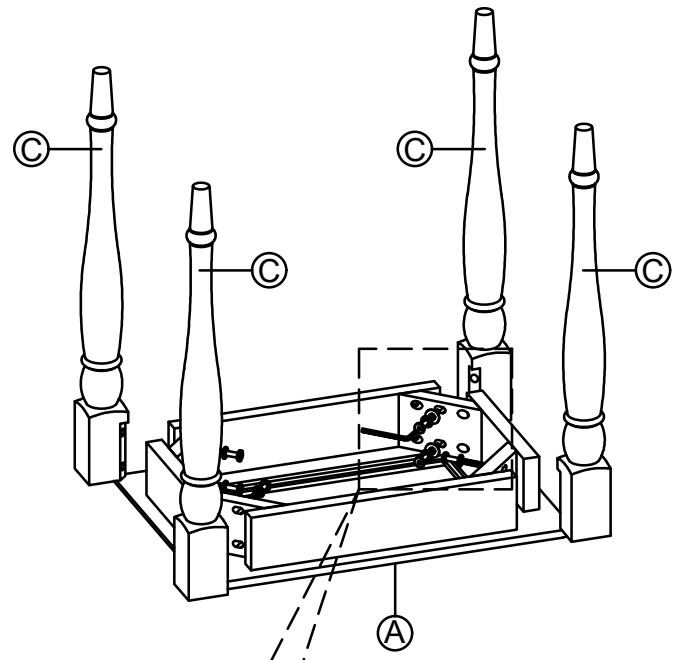


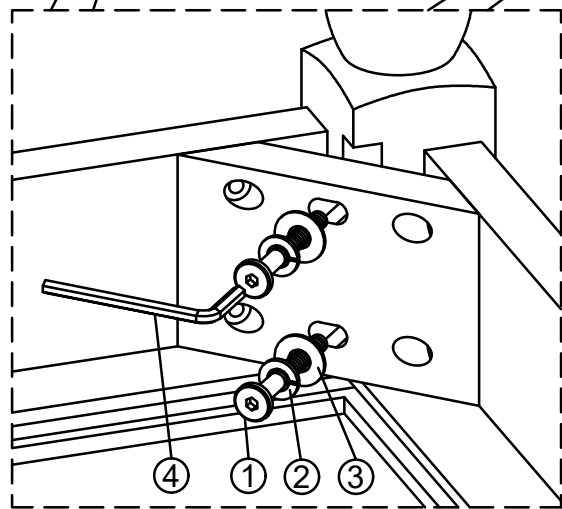
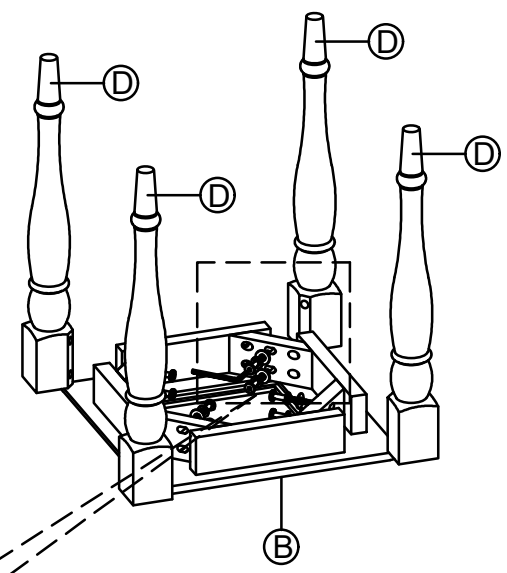
ASSEMBLY INSTRUCTION NEST OF TABLE_KD

No	Name of Component	Q.ty
Ⓐ	 Large Frame	1
Ⓑ	 Small Frame	1
Ⓒ	 Long Legs	4
Ⓓ	 Short Legs	4
No	Name of Hardware	Q.ty
①	 Bolts M6x50	16
②	 Spring Washers	16
③	 Flat Washers	16
④	 Allen key K4	1

STEP 1



STEP 2



FINAL

