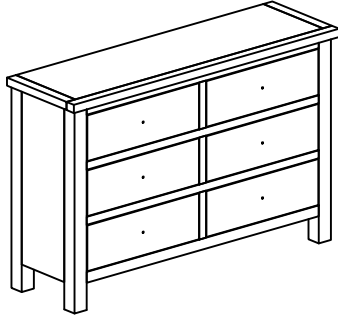
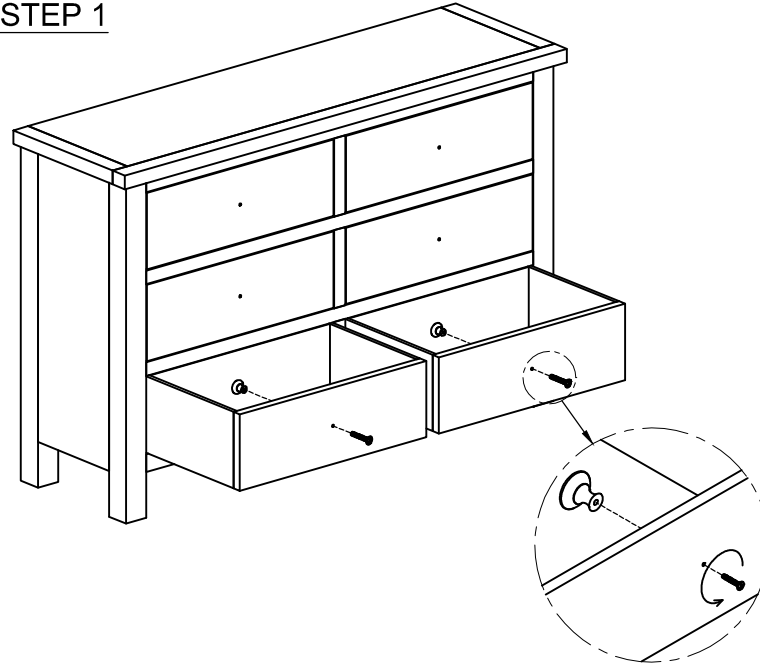


ASSEMBLY INSTRUCTION

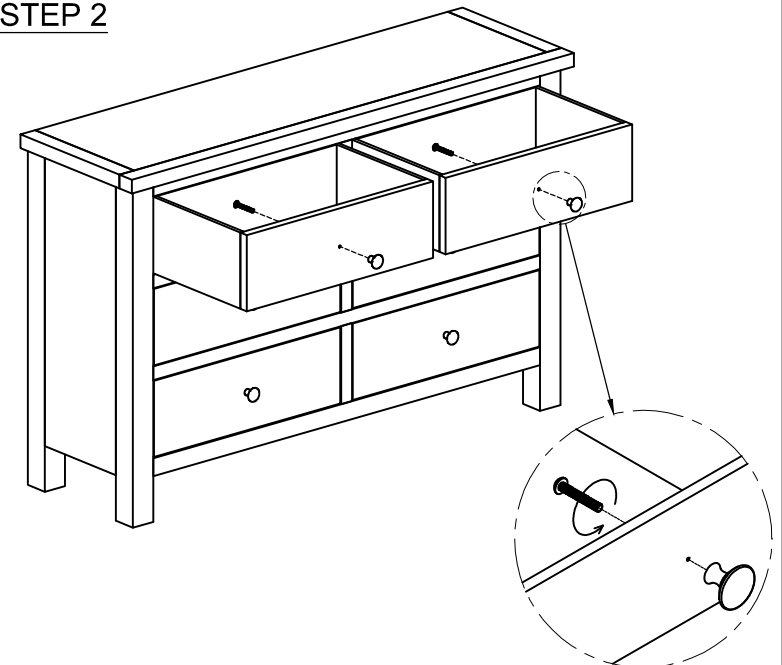
3+3 CHEST OF DRAWER




No	Name of Component	Q.ty
(A)		1

STEP 1

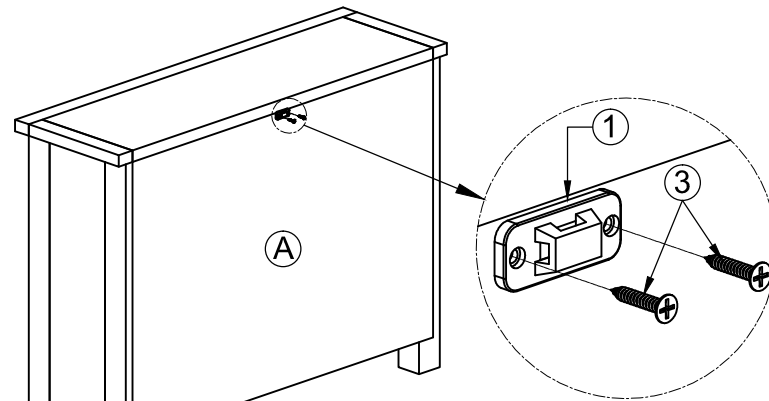
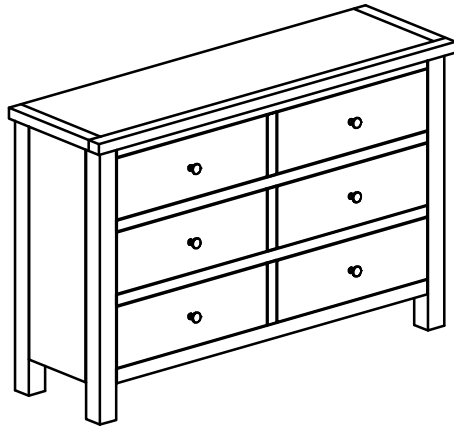


STEP 2



No	Name of Hardware	Q.ty
(1)	Bracket 	2
(2)	Tie 	1
(3)	Screw Ø4 x 20 	2

STEP 3



FINAL

