

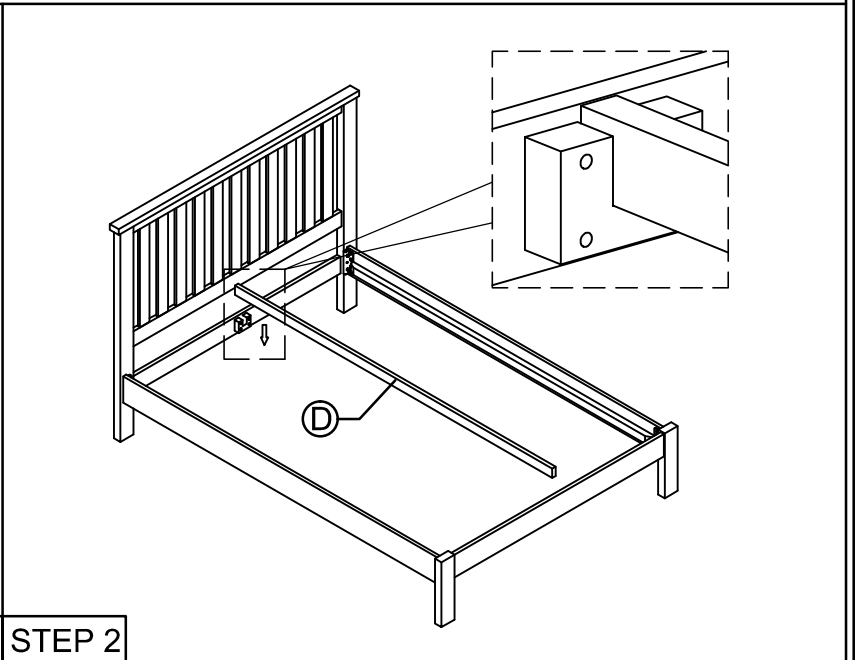
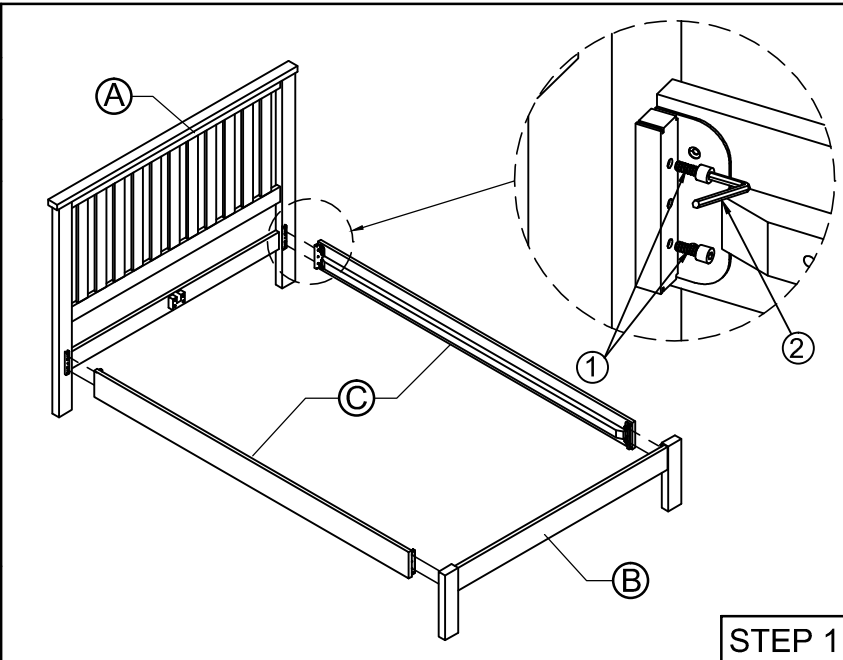
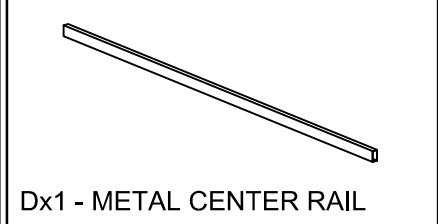
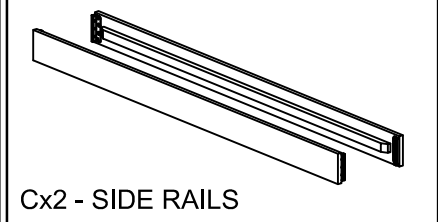
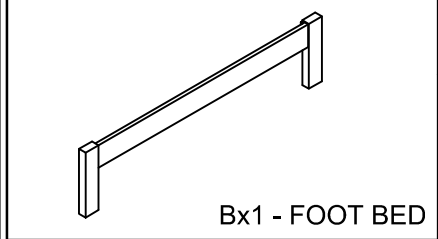
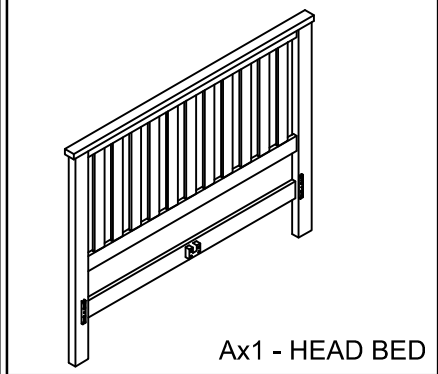


# ASSEMBLY INSTRUCTION

## BED 4'6 - 5'

No	Name of Hardware	Q.ty
①	Bolt M6x10 	8
②	Allen Key (K5) 	1



STEP 1	STEP 2
STEP 3	FINAL

NOTE: SLAT BEDS ARE ON A DIFFERENT PACKAGE  
HARDWARE ①' ARE INCLUDED IN SLAT BED

