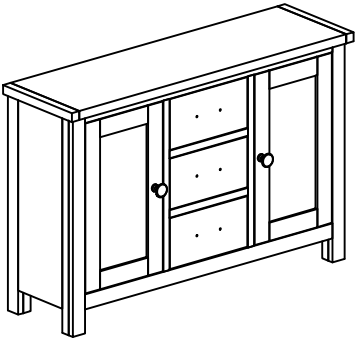
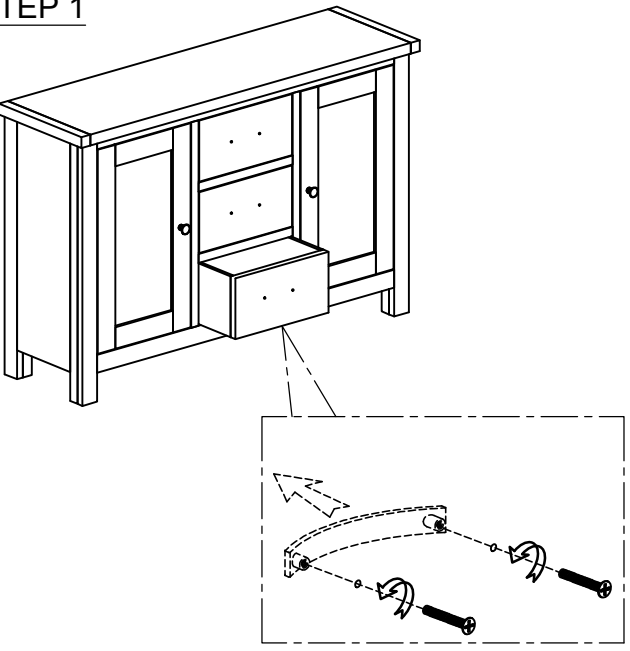


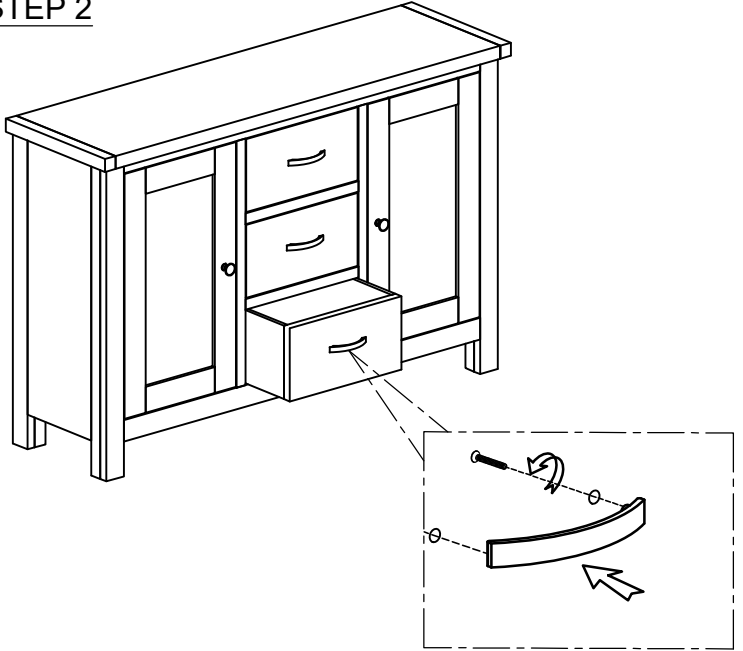
ASSEMBLY INSTRUCTION G4696 - WIDE SIDEBOARD




No	Name of Component	Q.ty
A		1

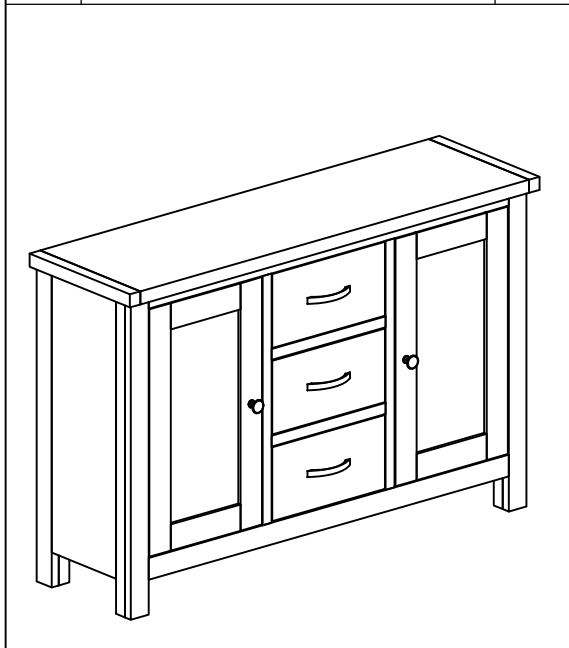
STEP 1



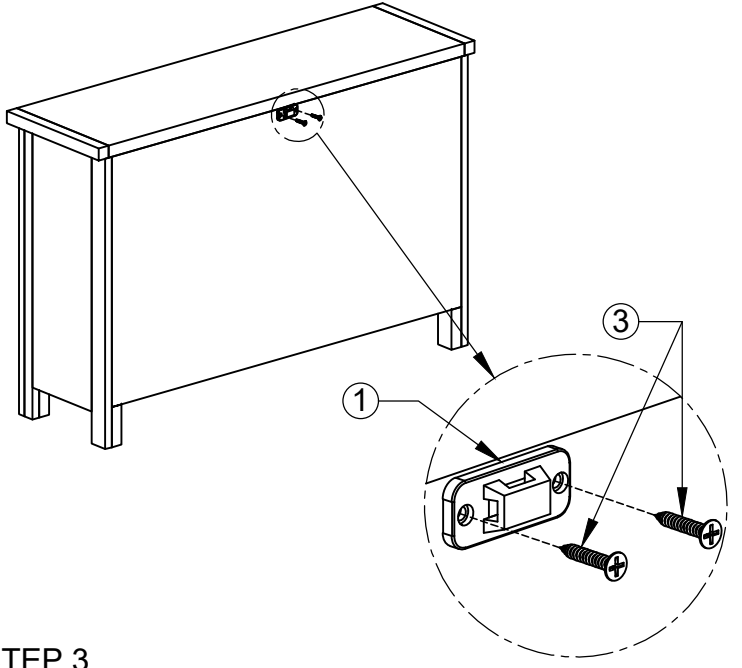
STEP 2



No	Name of Hardware	Q.ty
1	Bracket 	2
2	Tie 	1
3	Screw Ø4 x 20 	2



STEP 3



FINAL

