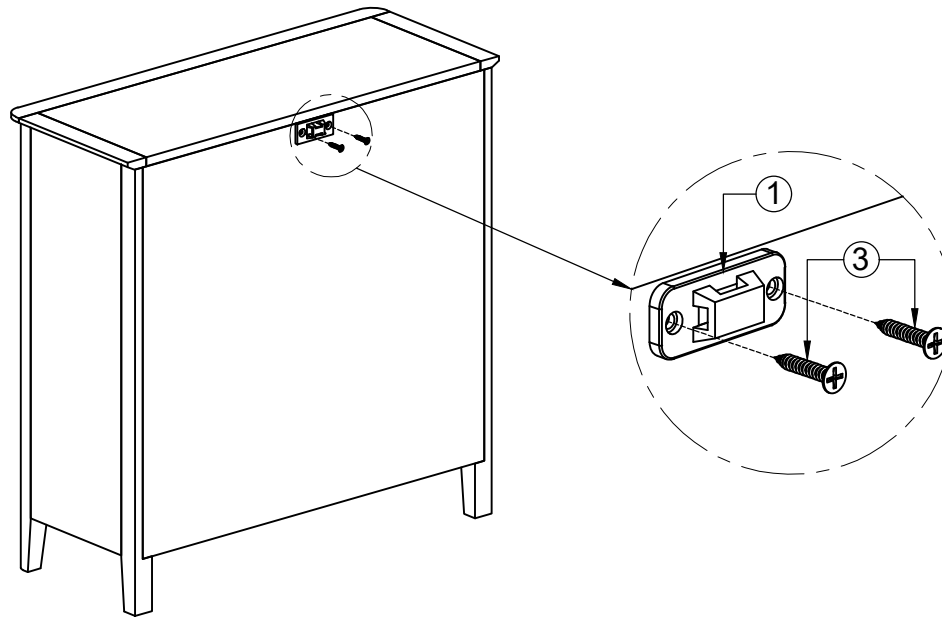


# ASSEMBLY INSTRUCTION

## G4566 - CHEST 2 OVER 3

No	Name of Hardware	Q.ty
①	Bracket	2
②	Tie	1
③	Screw M4 x 20	2

### STEP 1



### FINAL

