
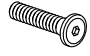


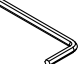

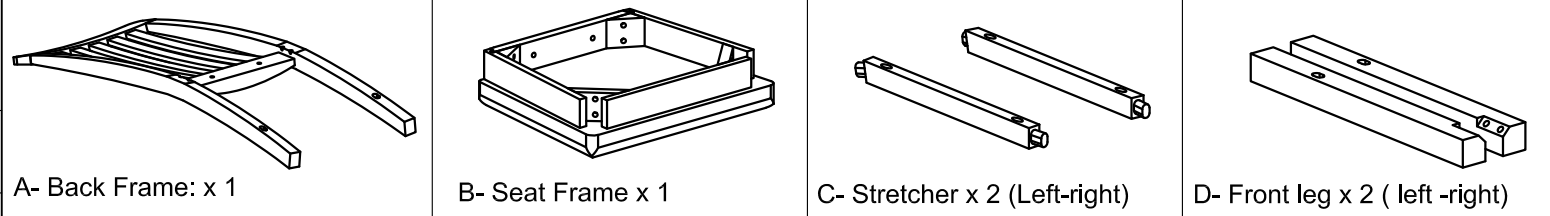


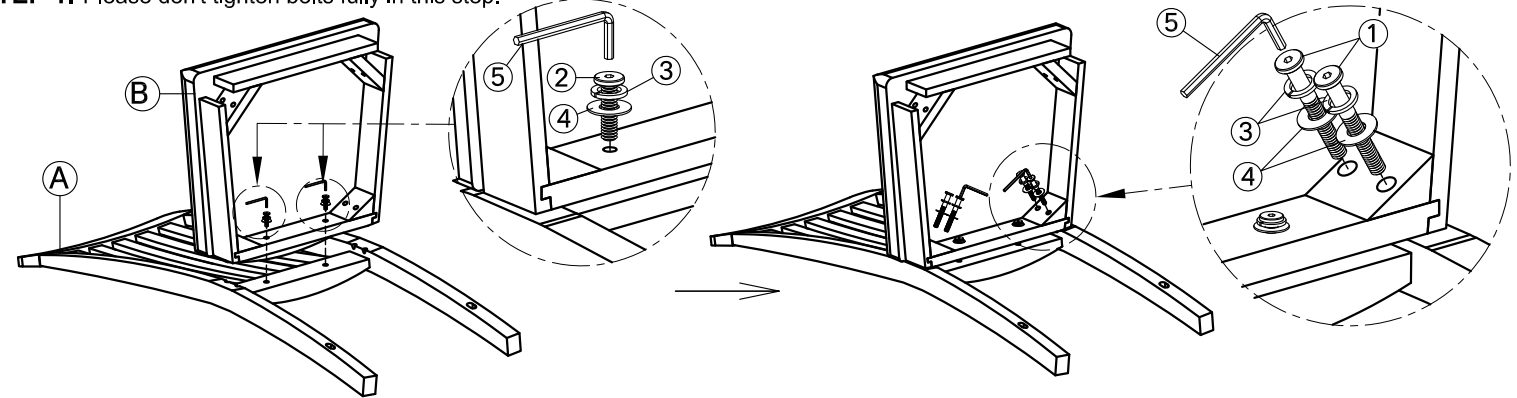
ASSEMBLY INSTRUCTION

G4557 - VERTICAL SLAT DINING CHAIR

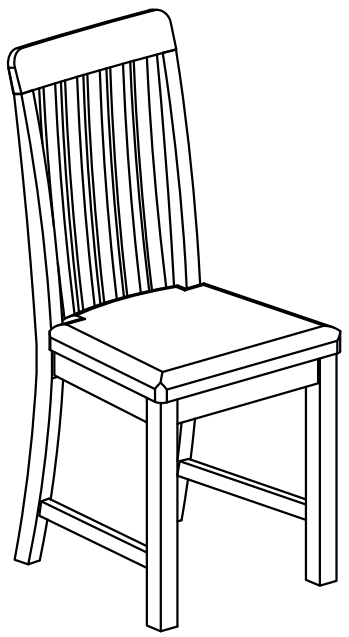
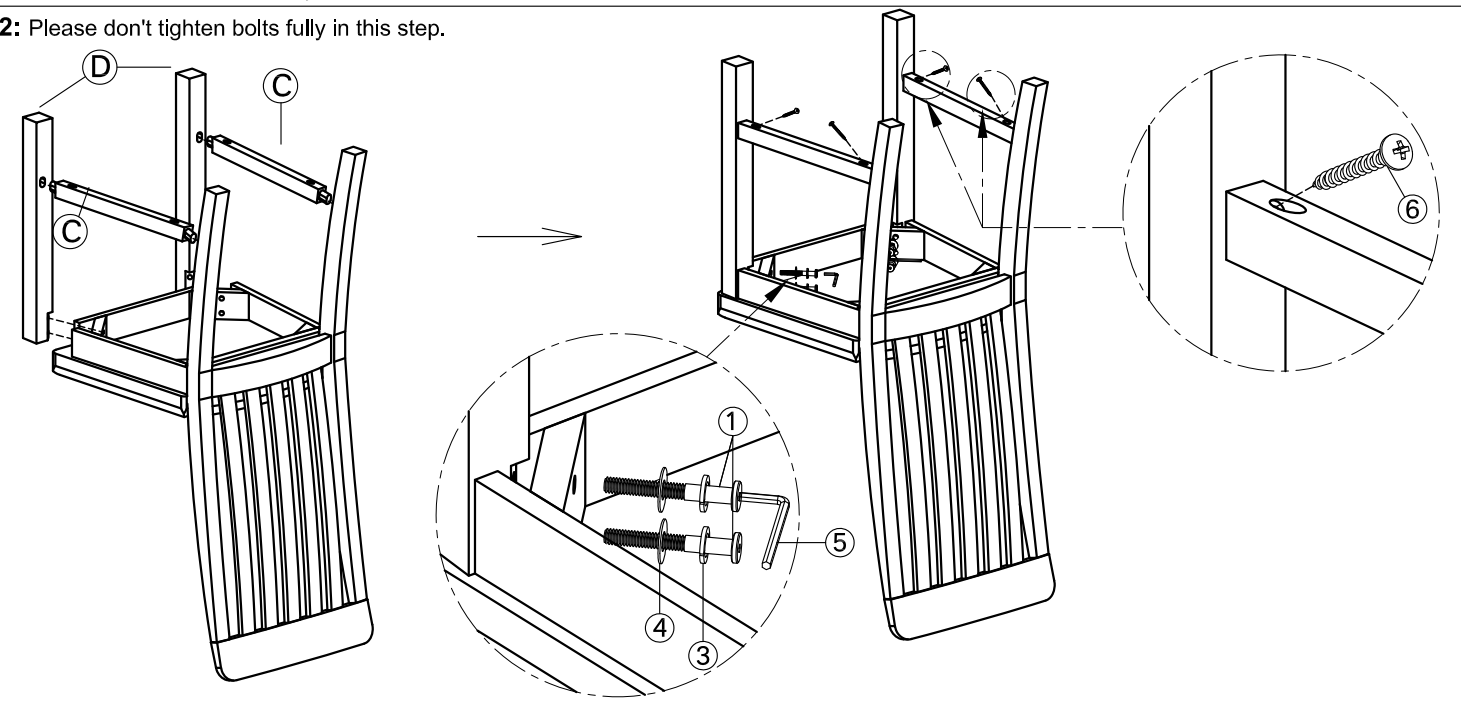
No	Name of Hardware	Q.ty
①	Bolts M6 x 70 	8
②	Bolts M8 x 50 	2
③	Spring Washers 	10
④	Flats Washer 	10
⑤	Allen key (K4) 	1
⑥	Round head Screws Ø4 x 50 	4



STEP 1: Please don't tighten bolts fully in this step.



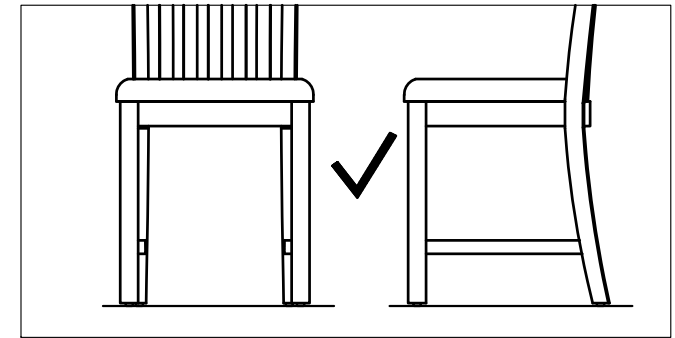
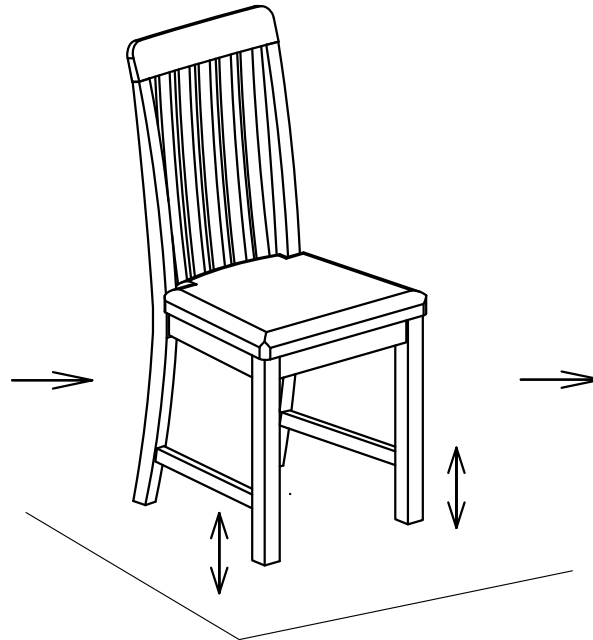
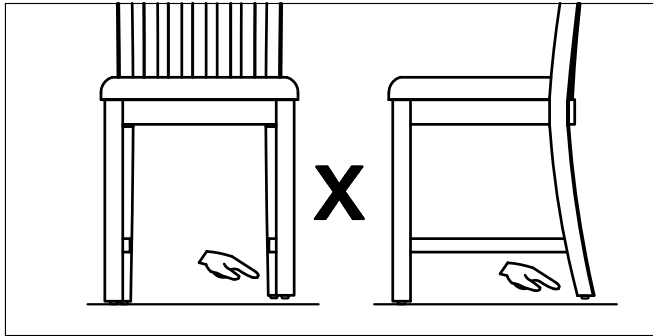
STEP 2: Please don't tighten bolts fully in this step.



ASSEMBLY INSTRUCTION

G4557 - VERTICAL SLAT DINING CHAIR

STEP 3: Check all legs are in the same level, as shown,
then tighten all bolts fully.



FINAL

