



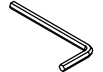
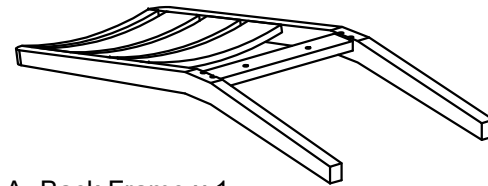


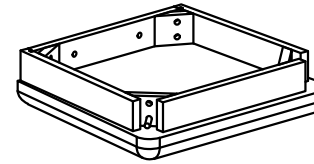
ASSEMBLY INSTRUCTION

G4556 - LADDER BACK DINING CHAIR_KD

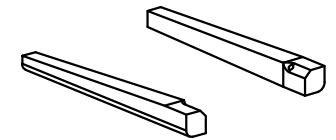
No	Name of Hardware	Q.ty
①	Bolts M6 x 70 	8
②	Bolts M8 x 35 	2
③	Spring Washers 	10
④	Flat Washers 	10
⑤	Allen key (K4) 	1



A- Back Frame x 1

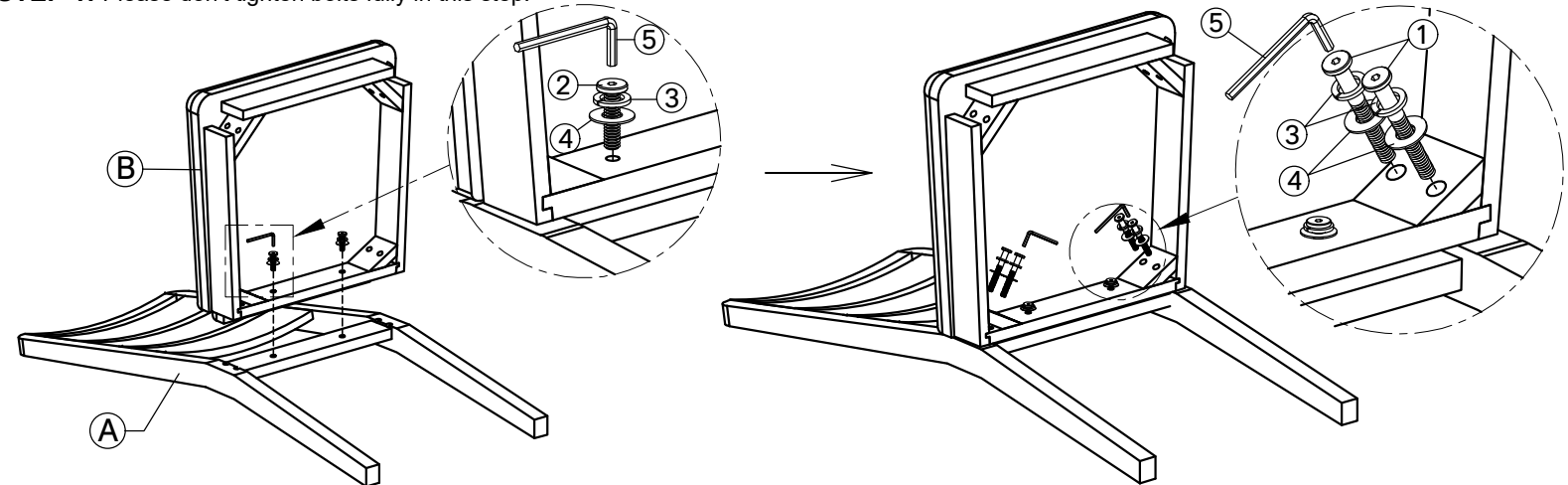


B- Seat Frame x 1

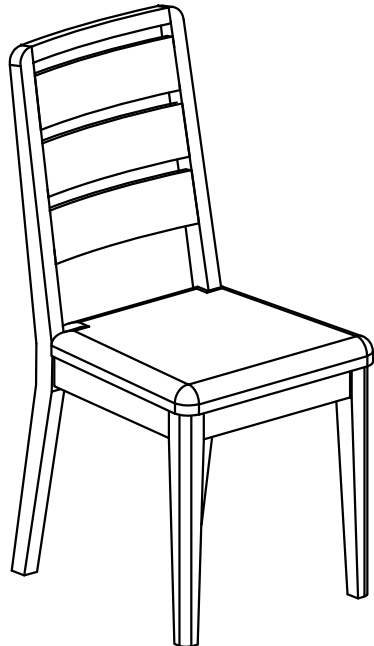
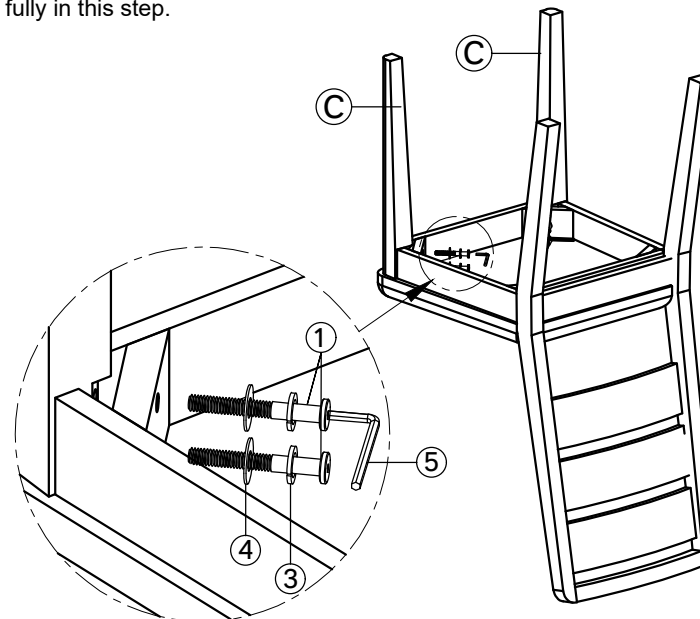


C- Front legs x 2

STEP 1: Please don't tighten bolts fully in this step.



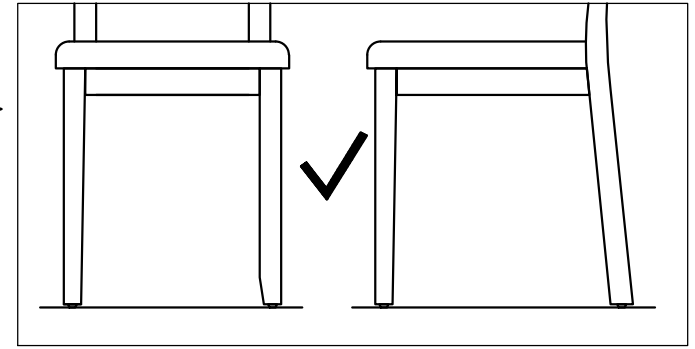
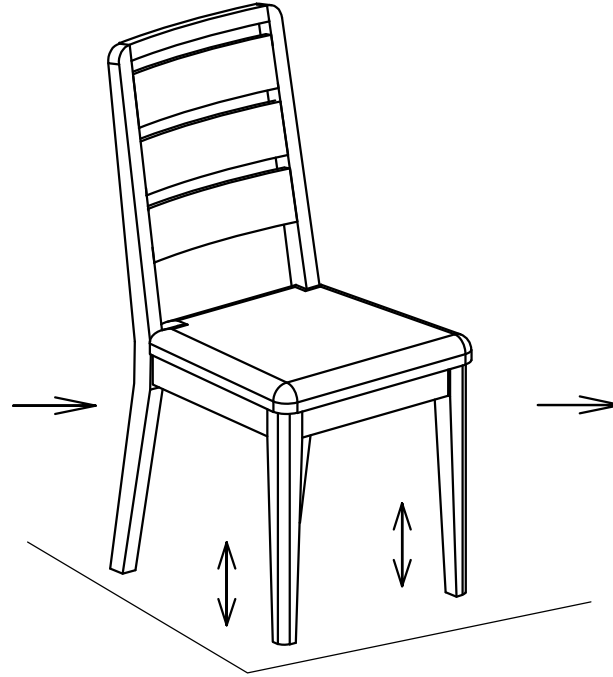
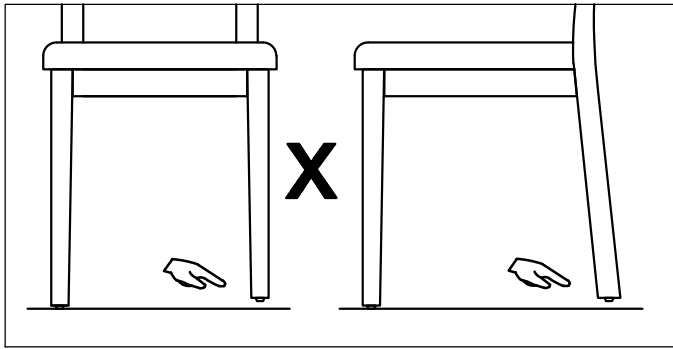
STEP 2: Please don't tighten bolts fully in this step.



ASSEMBLY INSTRUCTION

G4556KD - LADDER BACK DINING CHAIR_KD

STEP 3: Check all legs are in the same level, as shown,
then tighten all bolts fully.



FINAL

