


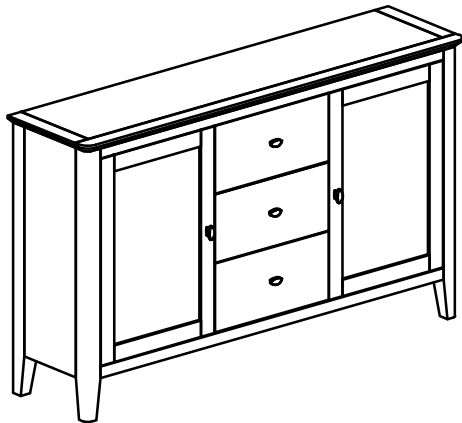
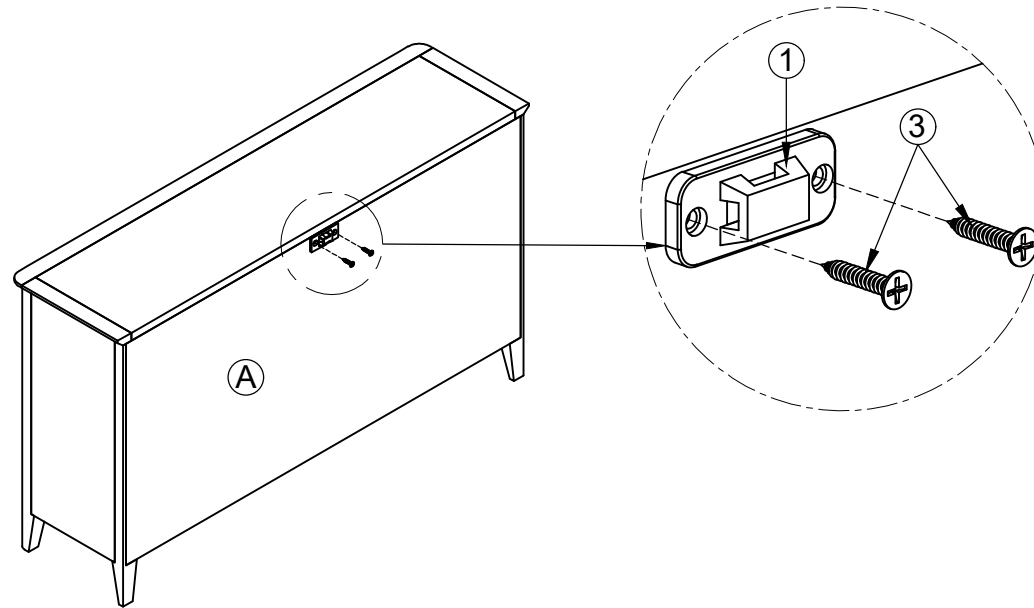


ASSEMBLY INSTRUCTION G4552 - LARGE SIDEBOARD

No	Name of Hardware	Q.ty
①	Bracket 	2
②	Tie 	1
③	Screw Ø4 x 20 	2

STEP 1



STEP 2

