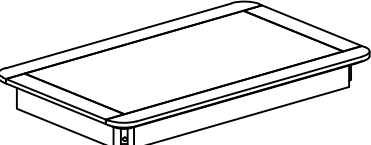
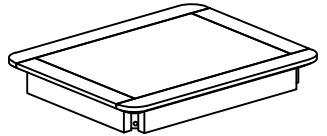
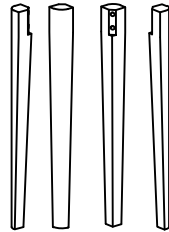
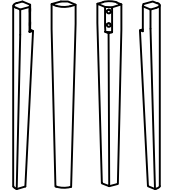



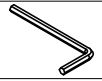
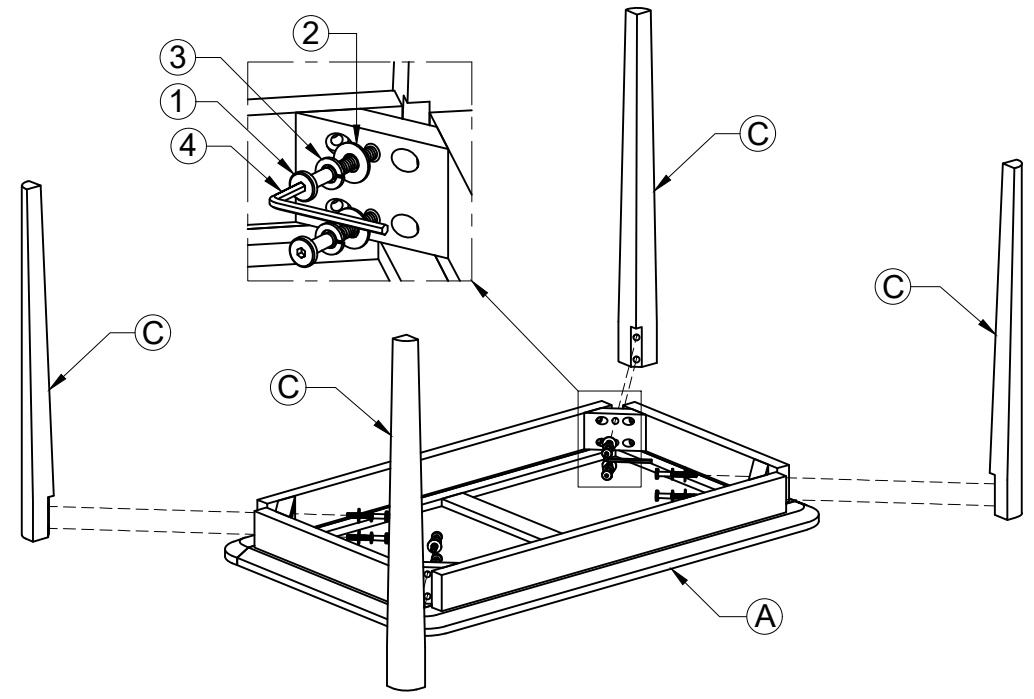


ASSEMBLY INSTRUCTION

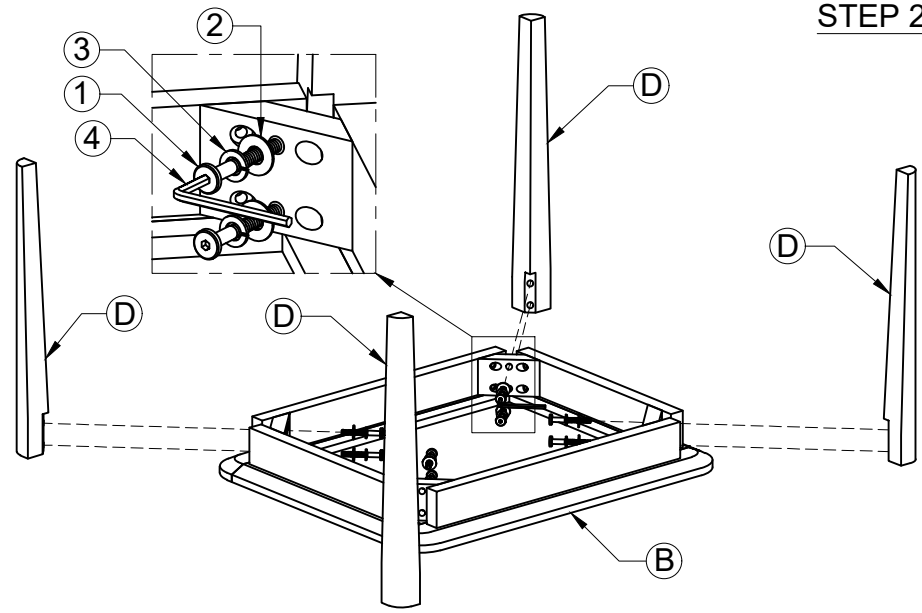
NEST OF TABLE

No	Name of Component	Q.ty
(A)		1
(B)		1
(C)		4
(D)		4
No	Name of Hardware	Q.ty
(1)	Bolt M6 x 50 	16
(2)	Washer Ø7/Ø15 x 1 	16
(3)	Spring Washer M6 	16
(4)	Allen key K4 	1

STEP 1



STEP 2



FINAL

