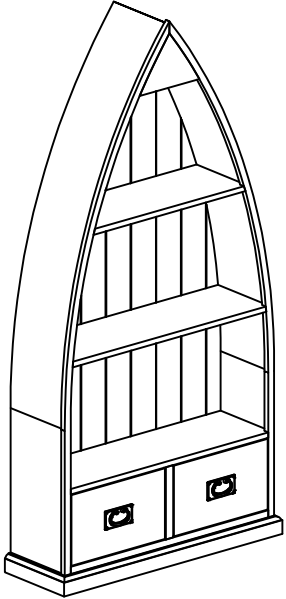





ASSEMBLY INSTRUCTION G4415 - BOAT BOOKCASE

No	Name of Component	Q.ty
A		1

No	Name of Hardware	Q.ty
①	Bracket 	2
②	Tie 	1
③	Screw Ø4 x 20 	2

