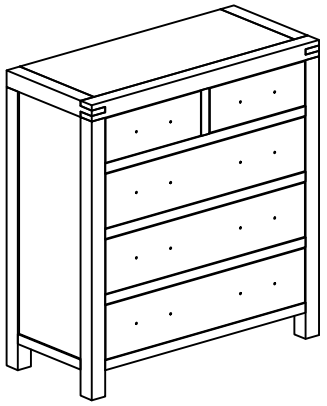
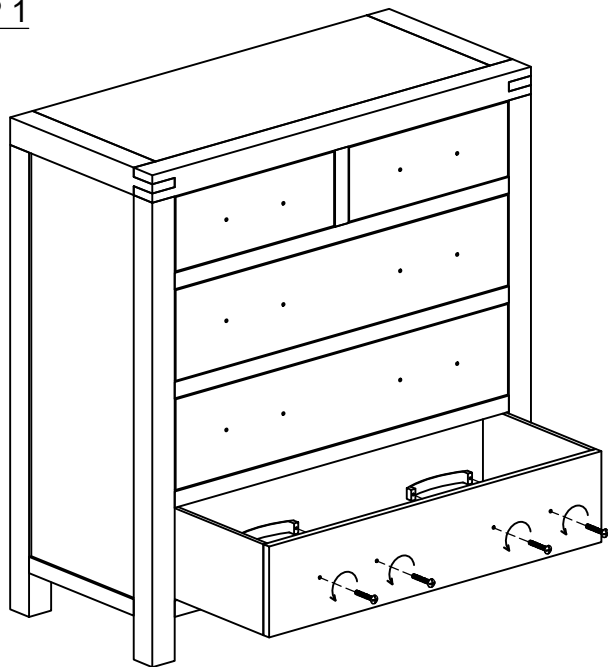


ASSEMBLY INSTRUCTION

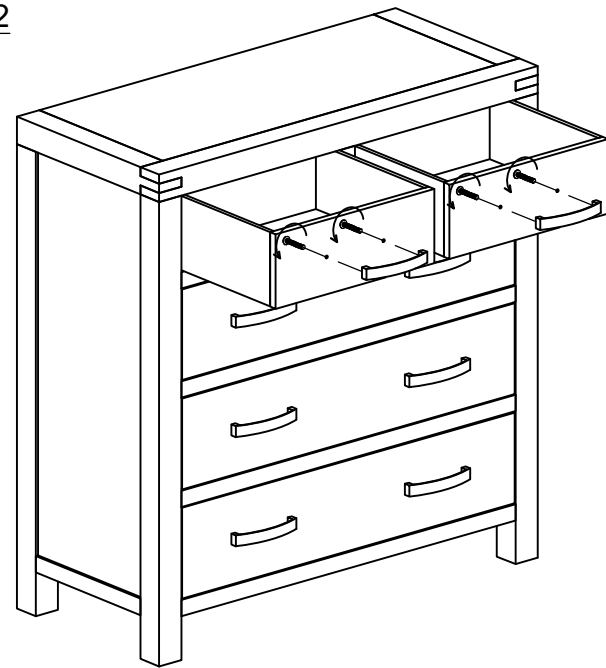
G4105 - CHEST 2 OVER 3




No	Name of Component	Q.ty
A		1

STEP 1

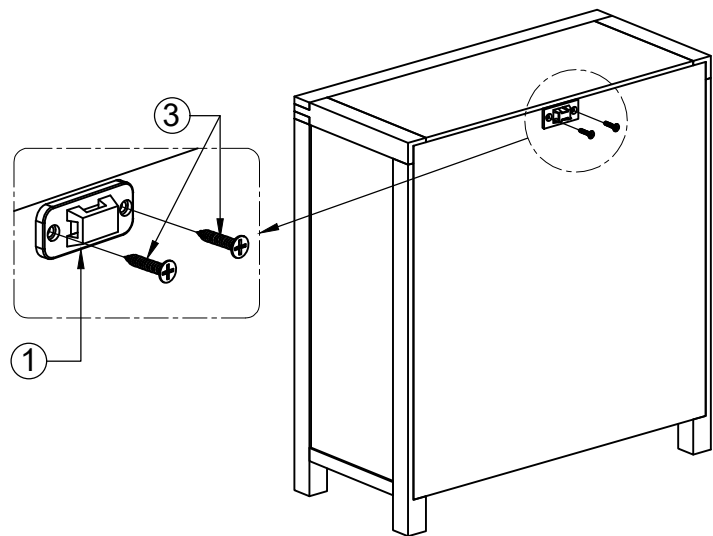


STEP 2



No	Name of Hardware	Q.ty
①	Bracket 	2
②	Tie 	1
③	Screw Ø4x20 	2

STEP 3



FINAL

