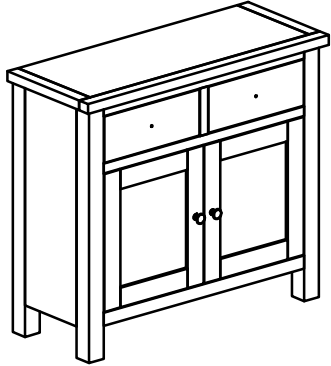





ASSEMBLY INSTRUCTION MINI SIDEBOARD

No	Name of Component	Q.ty
(A)		1
No	Name of Hardware	Q.ty
(1)	Bracket 	2
(2)	Tie 	1
(3)	Screw Ø4 x 20 	2

