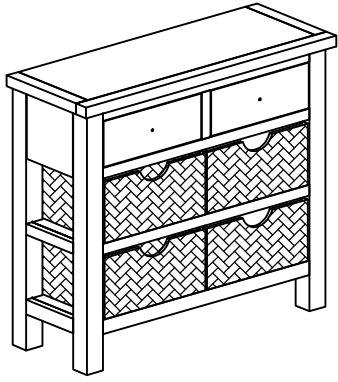



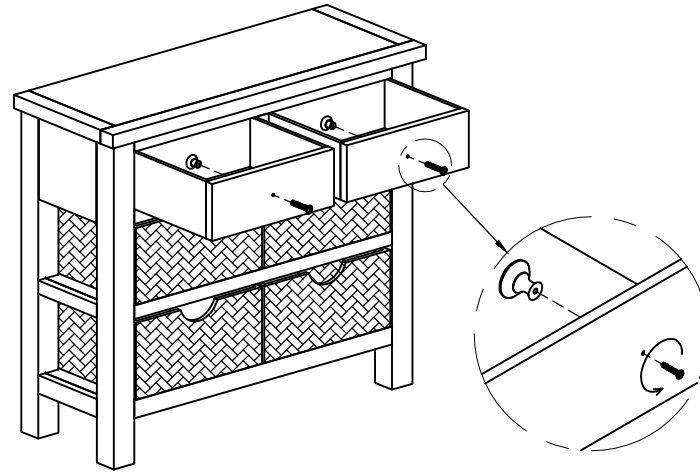


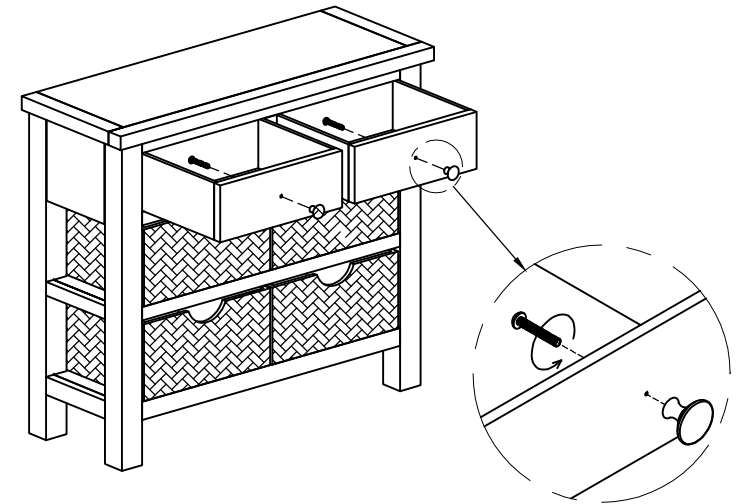
ASSEMBLY INSTRUCTION CONSOLE TABLE WITH BASKET

No	Name of Component	Q.ty
A		1
No	Name of Hardware	Q.ty
1	Bracket 	2
2	Tie 	1
3	Screw Ø4 x 20 	2

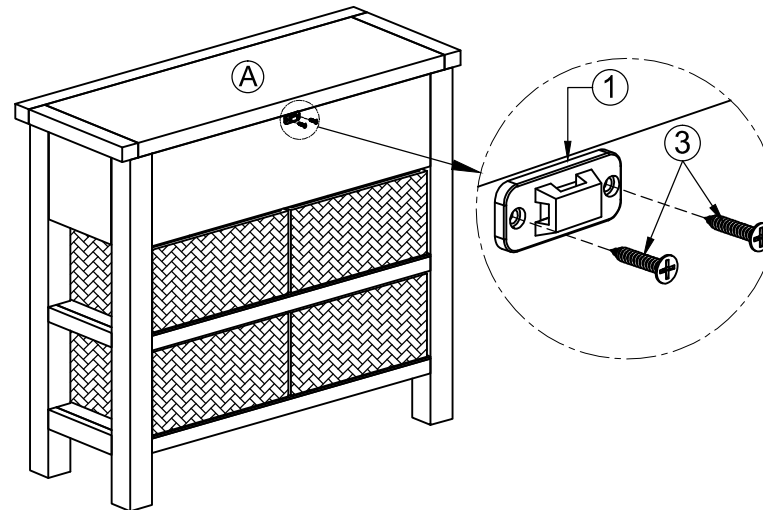
STEP 1



STEP 2



STEP 3



FINAL

