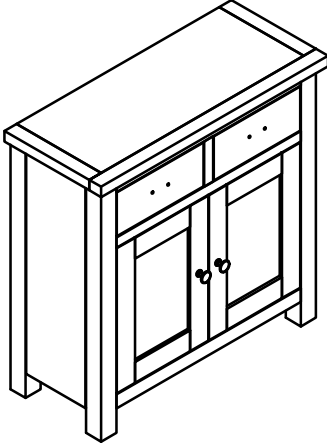





ASSEMBLY INSTRUCTION

G3478 - MINI SIDEBORD

No	Name of Component	Q.ty
A		1
No	Hardware	Qty
1	Bracket 	2
2	Tie 	1
3	Screw Ø4x20 	2

