


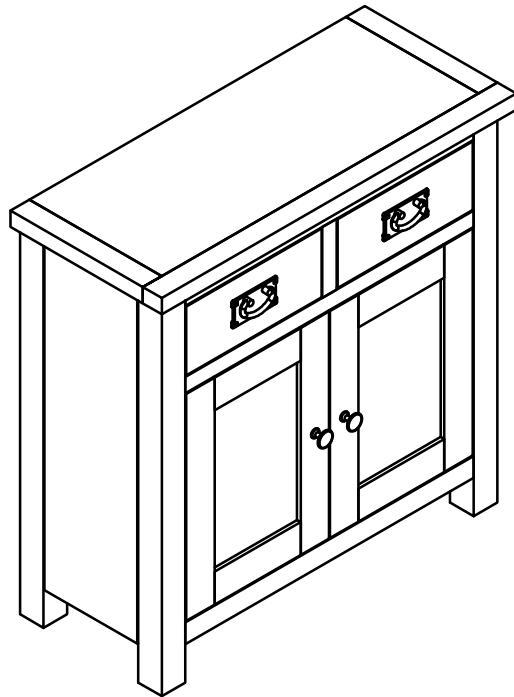
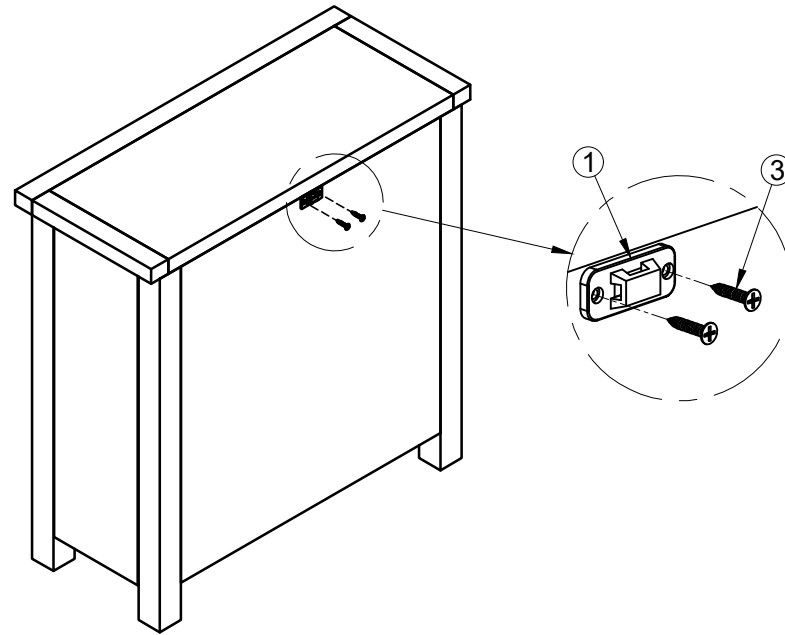


ASSEMBLY INSTRUCTION

G3470 - MINI SIDEBORD

No	Hardware	Qty	STEP 1
1	Bracket 	2	
2	Tie 	1	
3	Screw Ø4x20 	2	



FINAL

