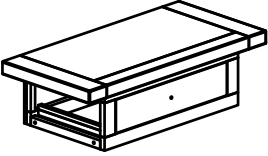
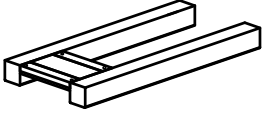



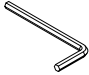



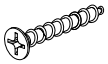
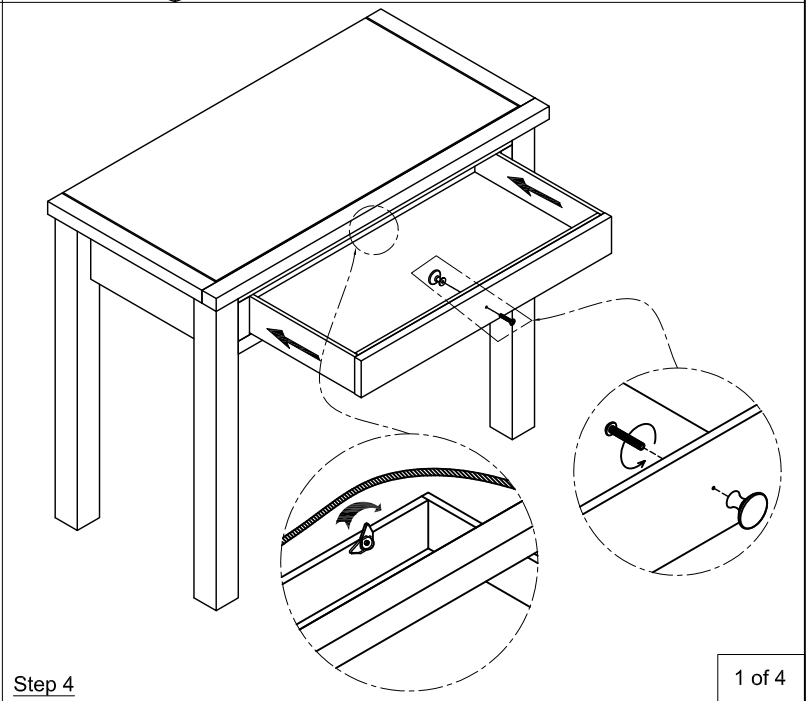
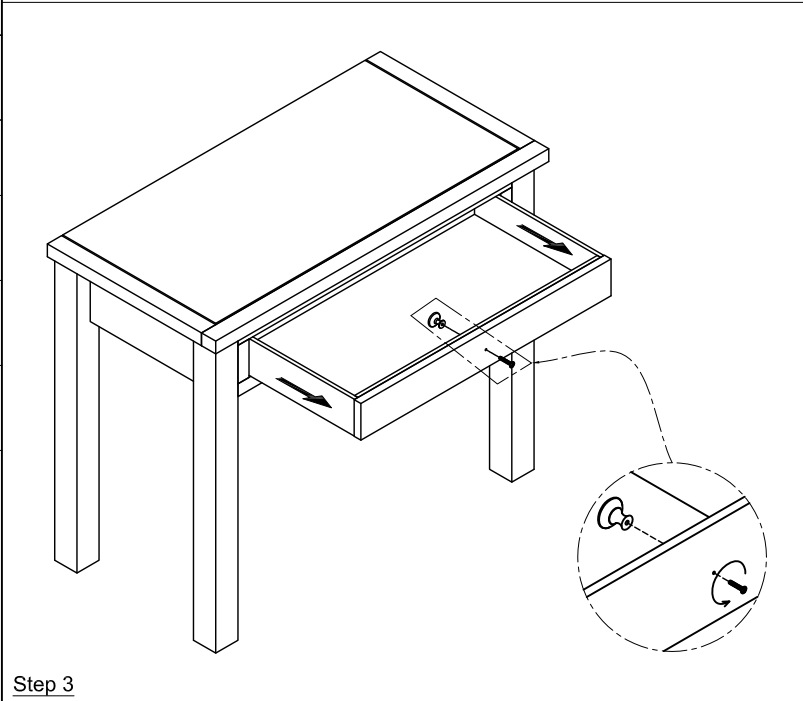
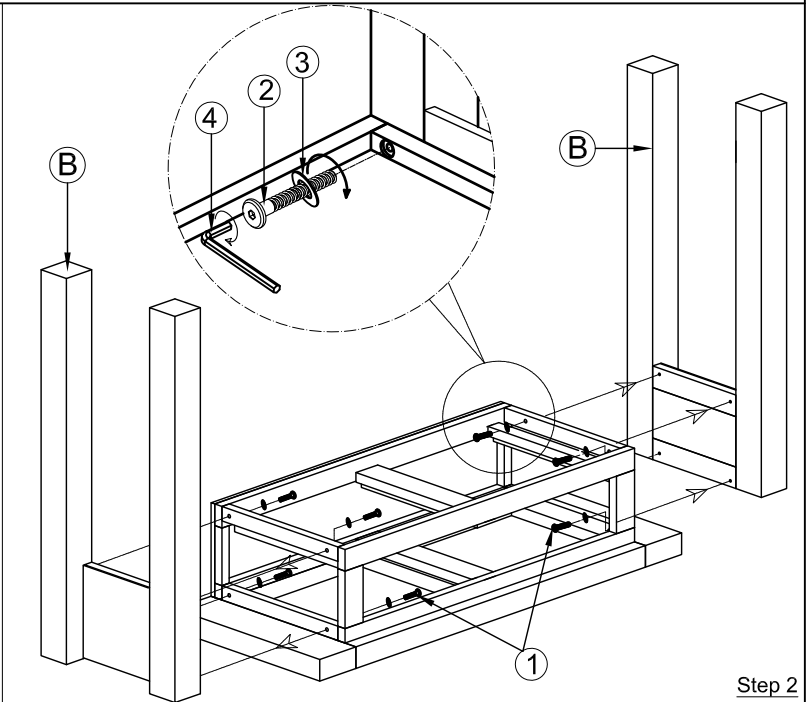
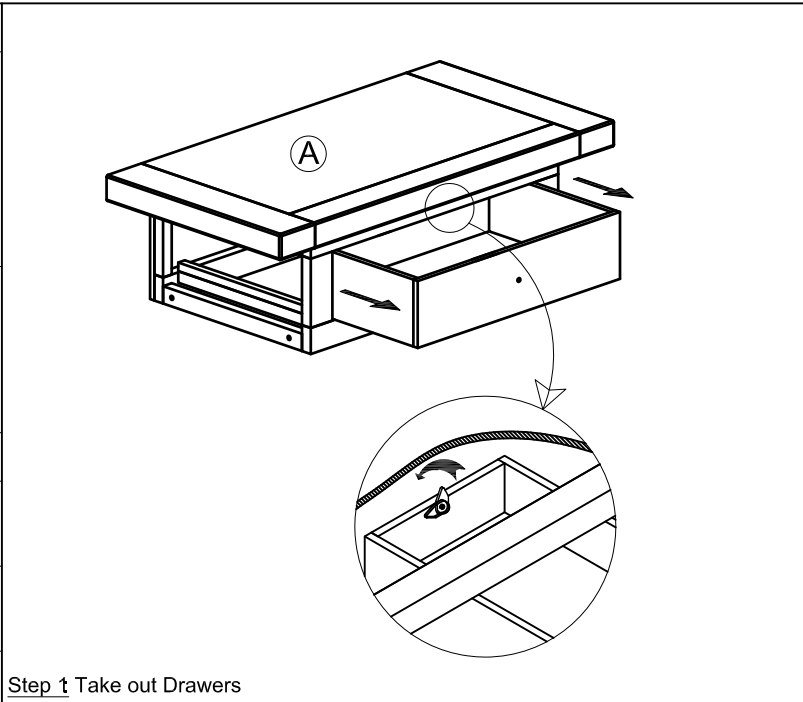


ASSEMBLY INSTRUCTION

DRESSING TABLE SET - TABLE

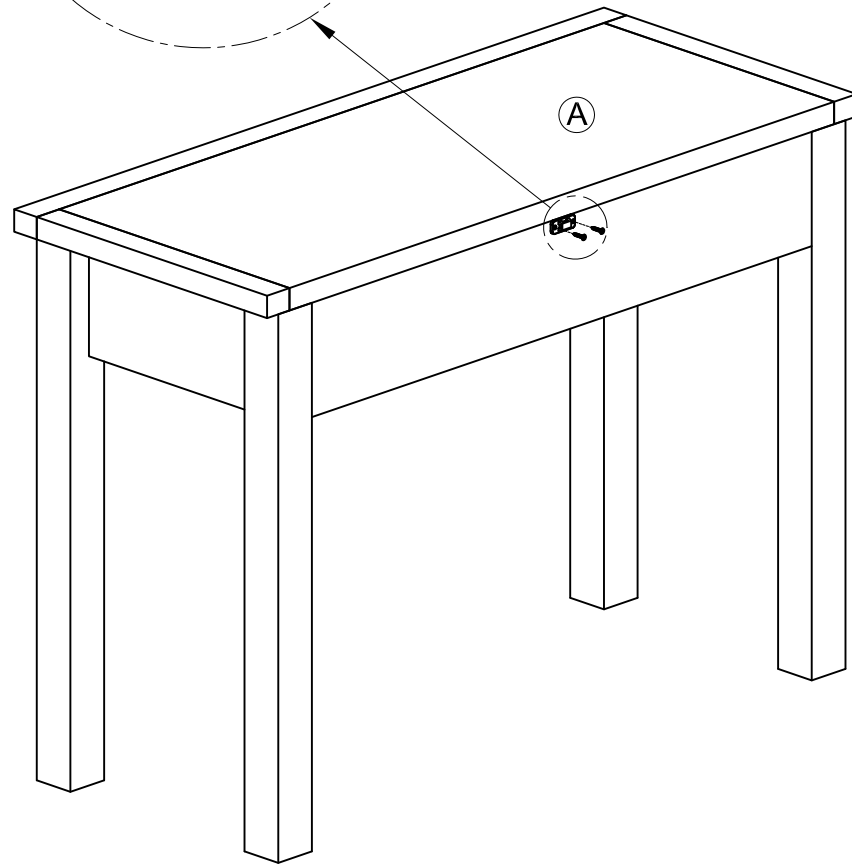
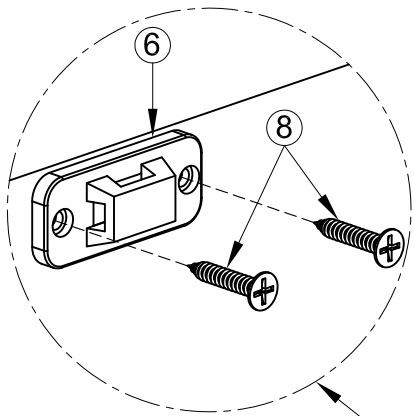
No	Name of Component	Q.ty
Ⓐ	 Table top frame	1
Ⓑ	 Leg Frame	2
No	Name of Hardware	Q.ty
①	Bolt M6 x 45 	4
②	Bolt M6 x 55 	12
③	Washer Ø7/Ø15 x 1 	16
④	Allen key (K4) 	1
⑤	Spring Washer Ø7/Ø10 	8
⑥	Bracket 	2
⑦	Tie 	1
⑧	Screw Ø4 x 20 	4



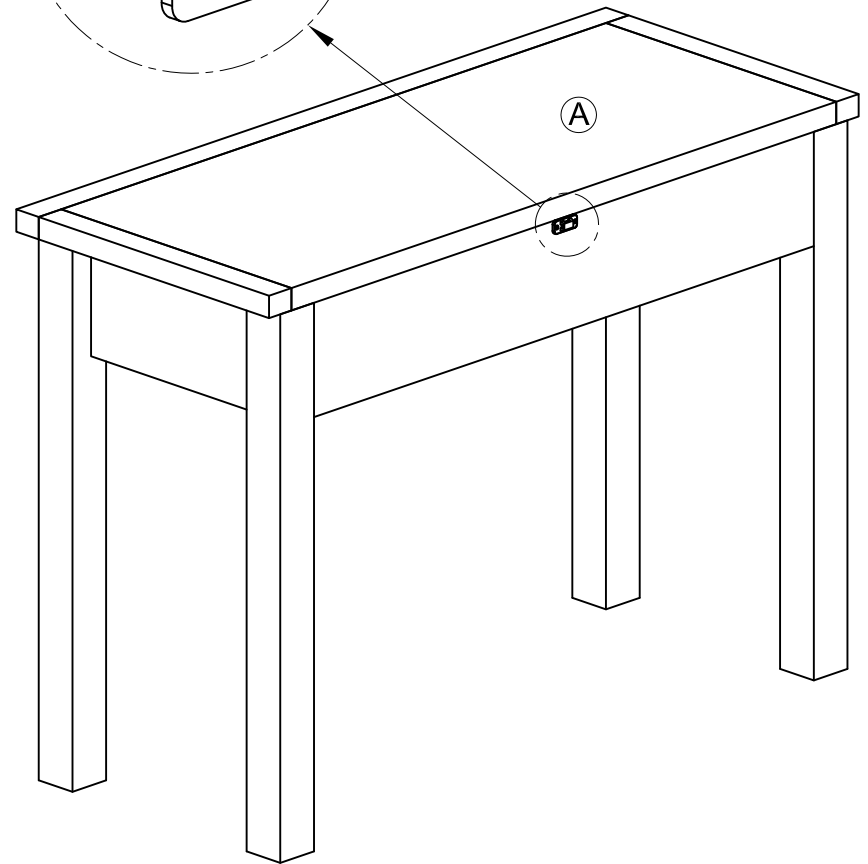
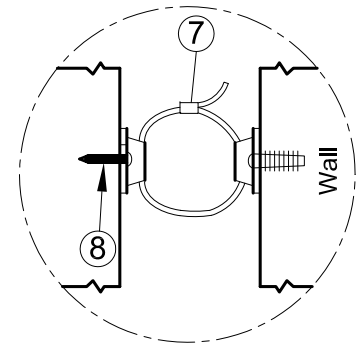
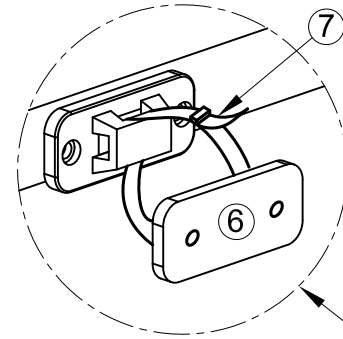
ASSEMBLY INSTRUCTION

DRESSING TABLE SET - TABLE

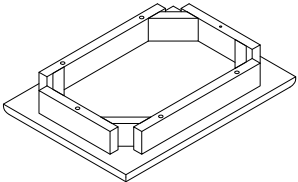
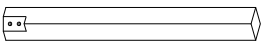
Step 5

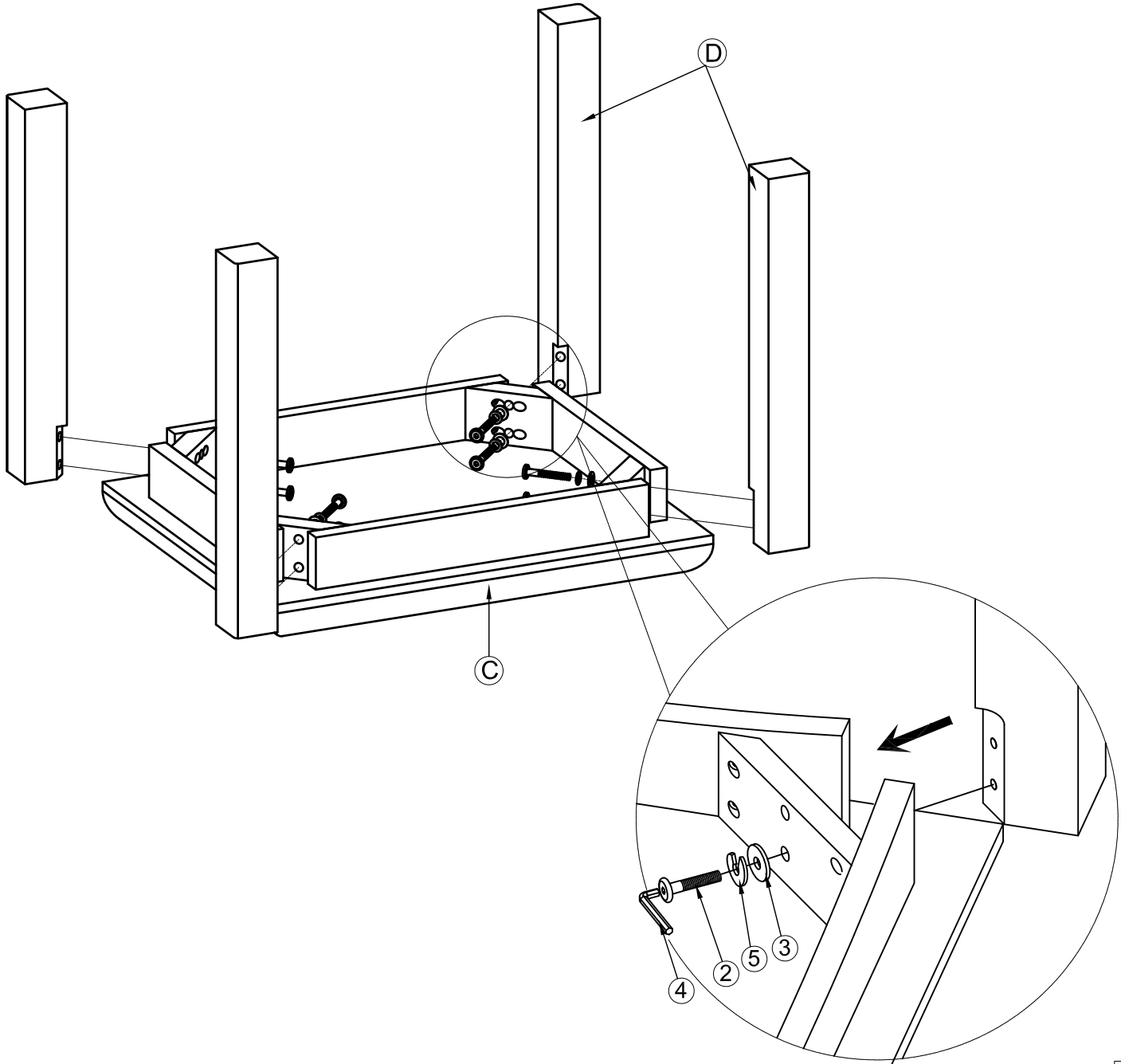
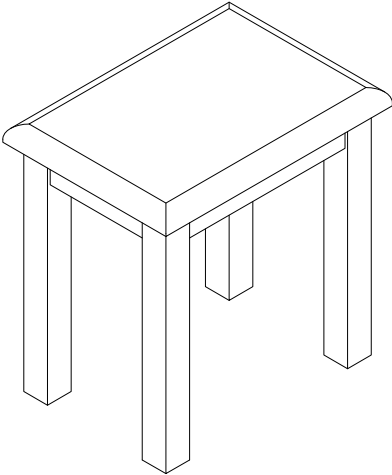


FINAL



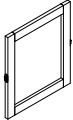
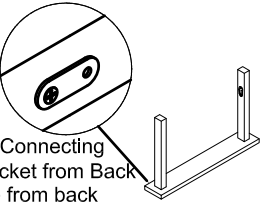
ASSEMBLY INSTRUCTION DRESSING TABLE SET - STOOL

No	Name of Component	Q.ty
C	 Seat Frame	1
D	 Legs	4



ASSEMBLY INSTRUCTION

DRESSING TABLE SET - MIRROR

No	Name of Component	Q.ty
E	 Mirror frame	1
F	 Fix Connecting Bracket from Back <u>See from back</u>	1
	Support mirror	

