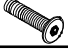









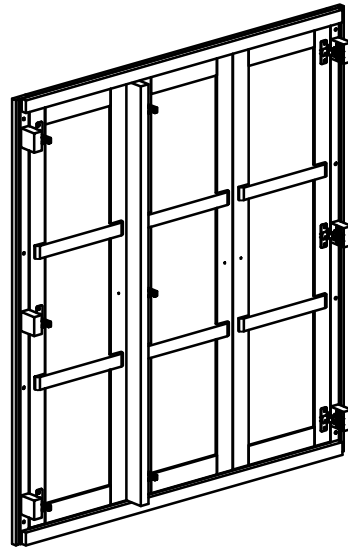
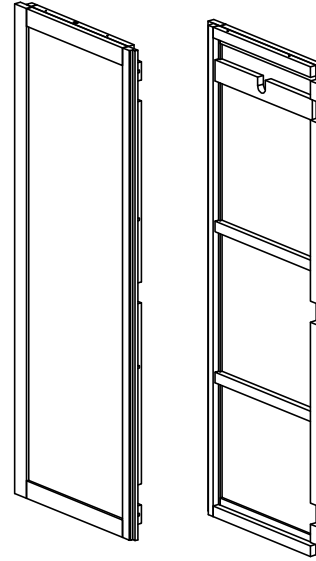


# ASSEMBLY INSTRUCTION TRIPLE WARDROBE

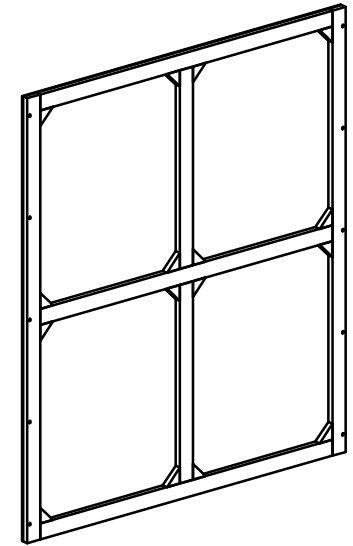
No	Hardware	Qty
1	Bolt M6 x 35 	8
2	Washer Ø7/Ø15 x 2 	8
3	Allen key K4 	1
4	Screw Ø4 x 35 	22
5	Wood dowel Ø10 x 30 	1
6	Handle with bolt 	3 set
7	Screw Ø4 x 20 	8
8	Bracket 	2
9	Tie 	1
10	Screw Ø4 x 45 	3



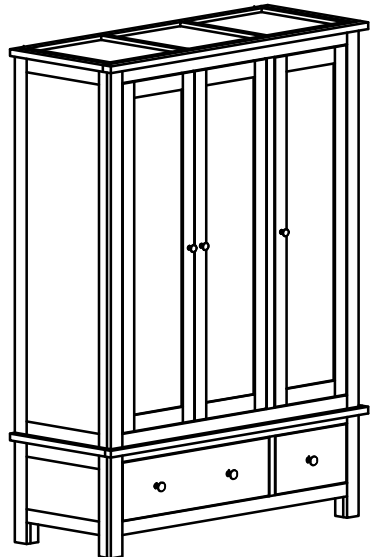
A - Front Frame x1



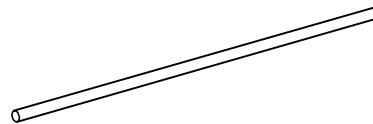
B - Side Frame x2 ( left -right)



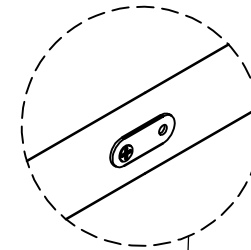
C - Back Frame x1



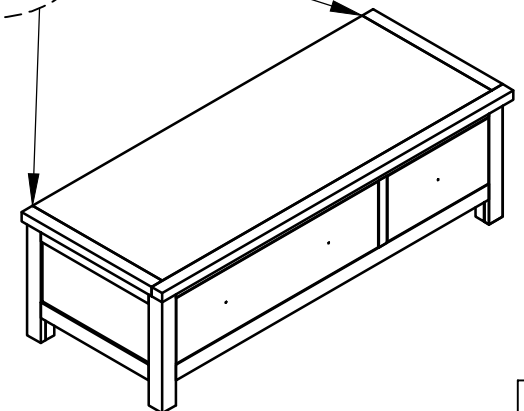
D - Top frame x 1



E - Hanging rail x 1

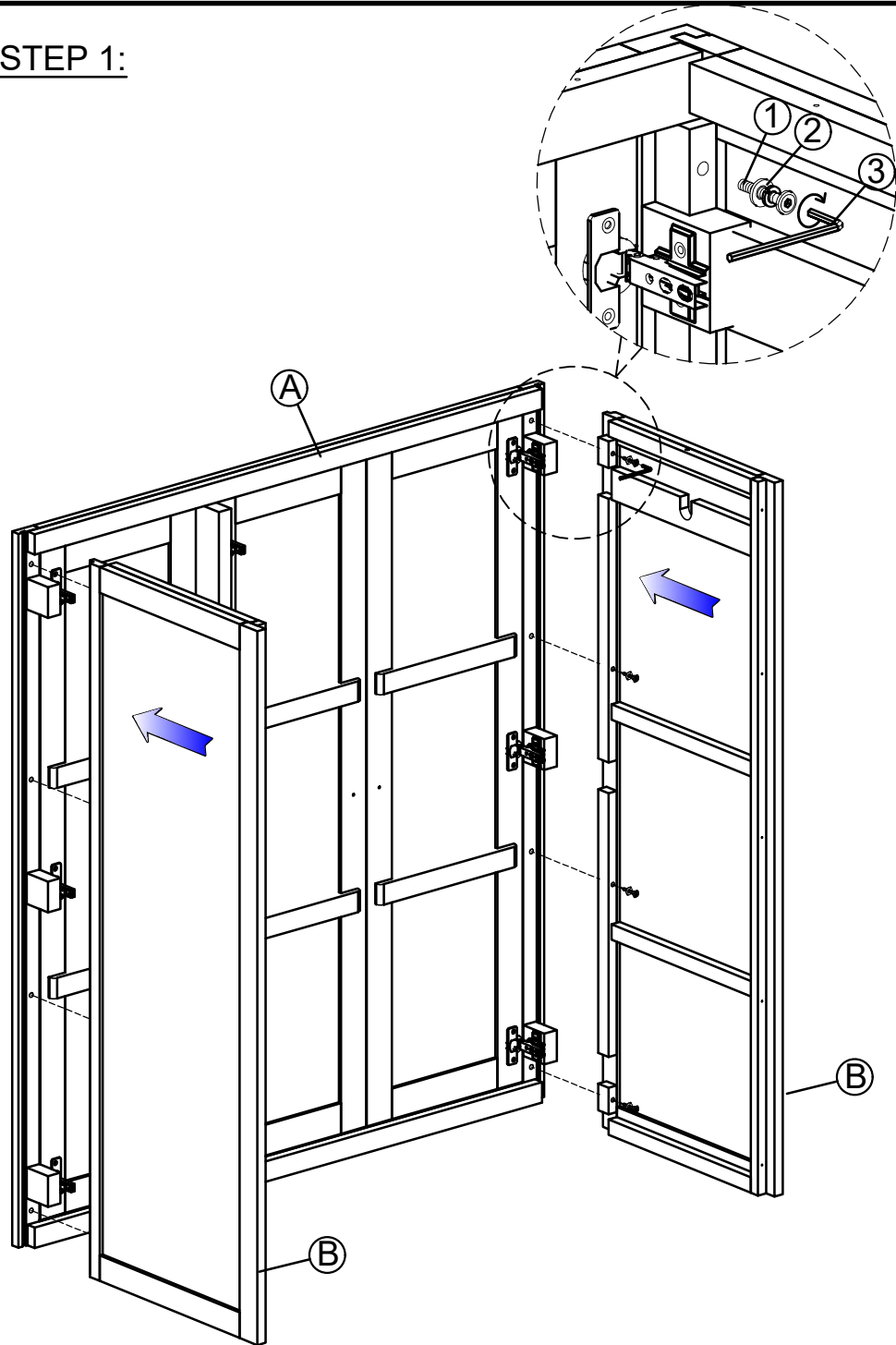


See from back  
Fix Connecting  
Bracket from Back

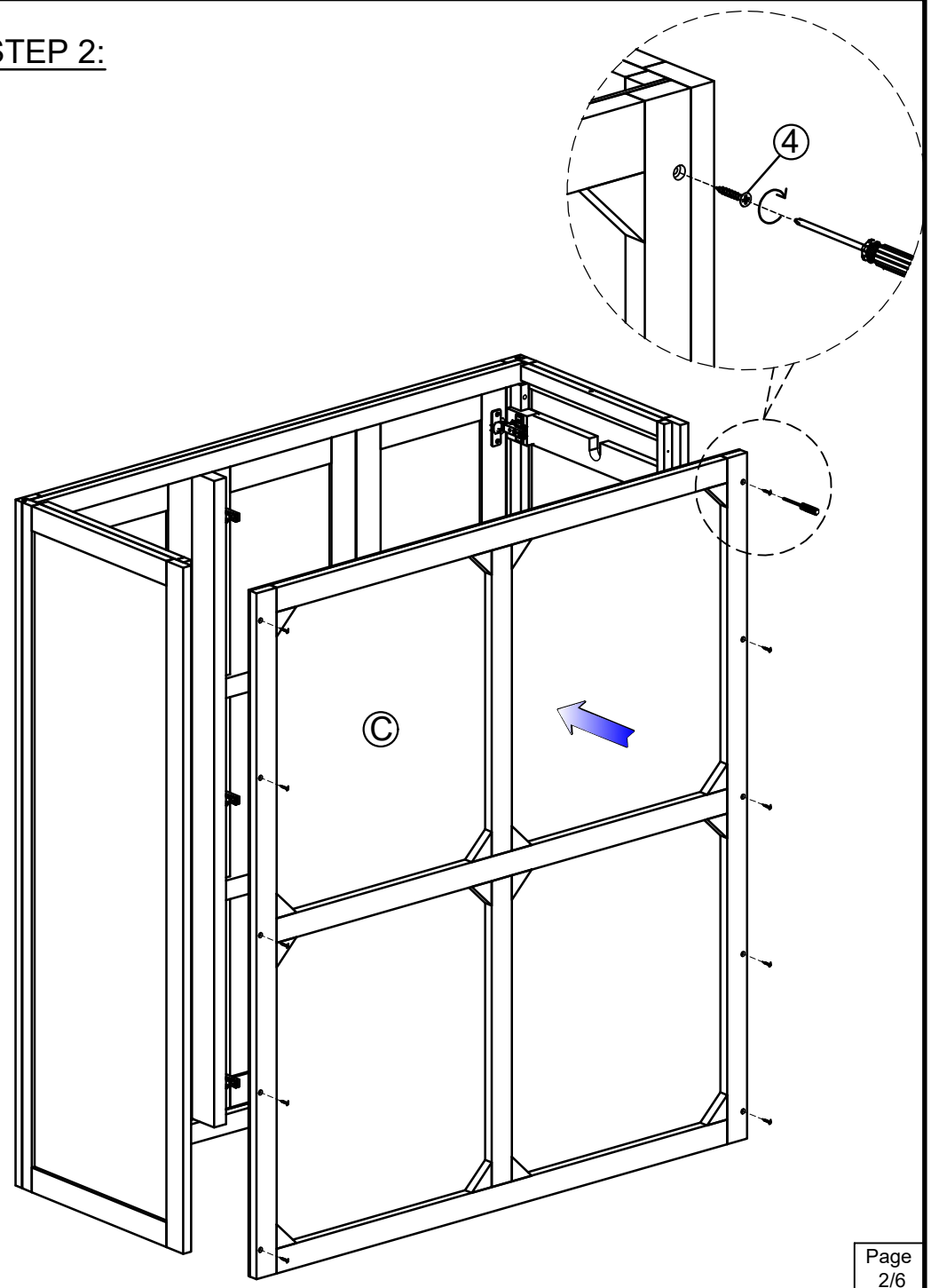


F - Base

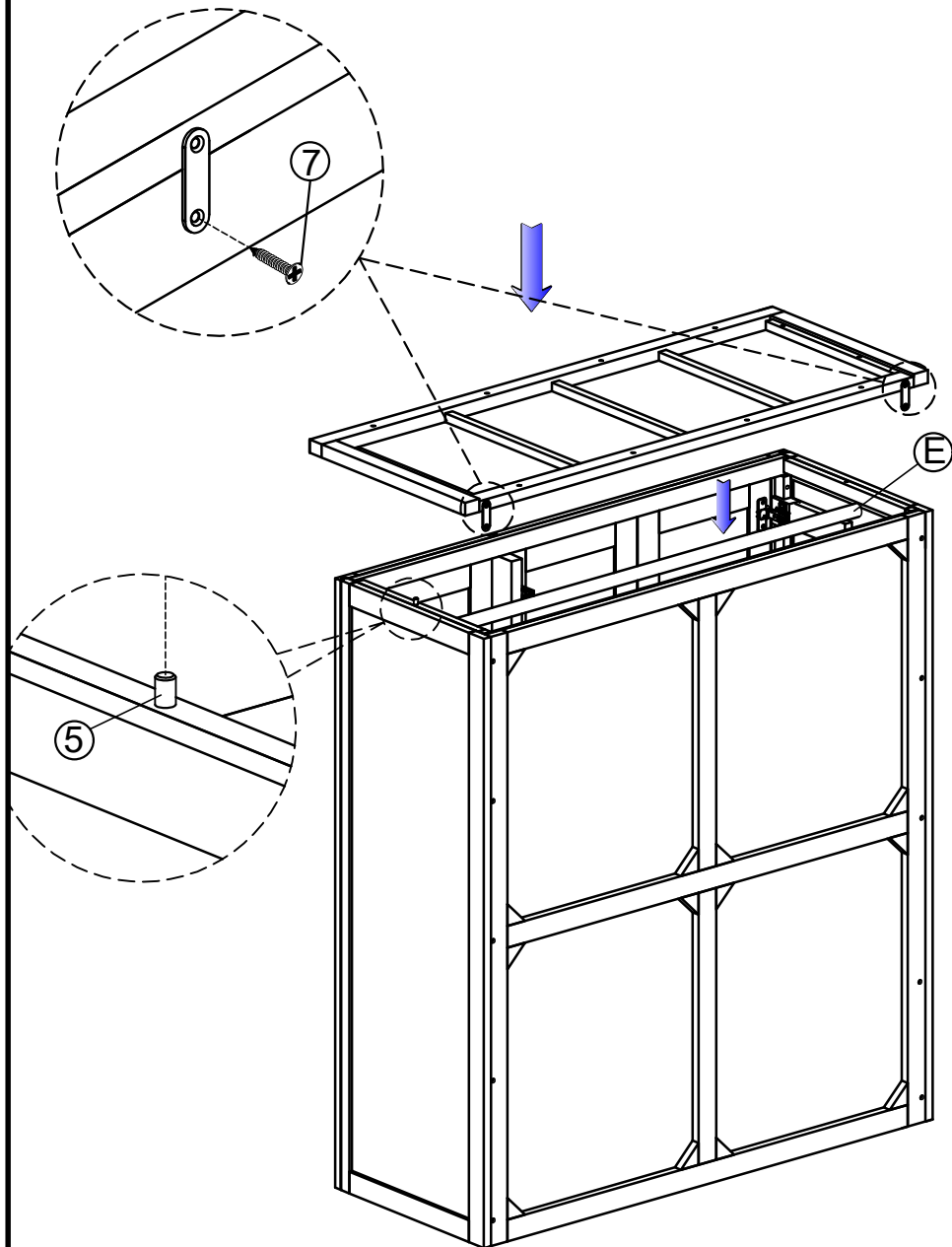
**STEP 1:**



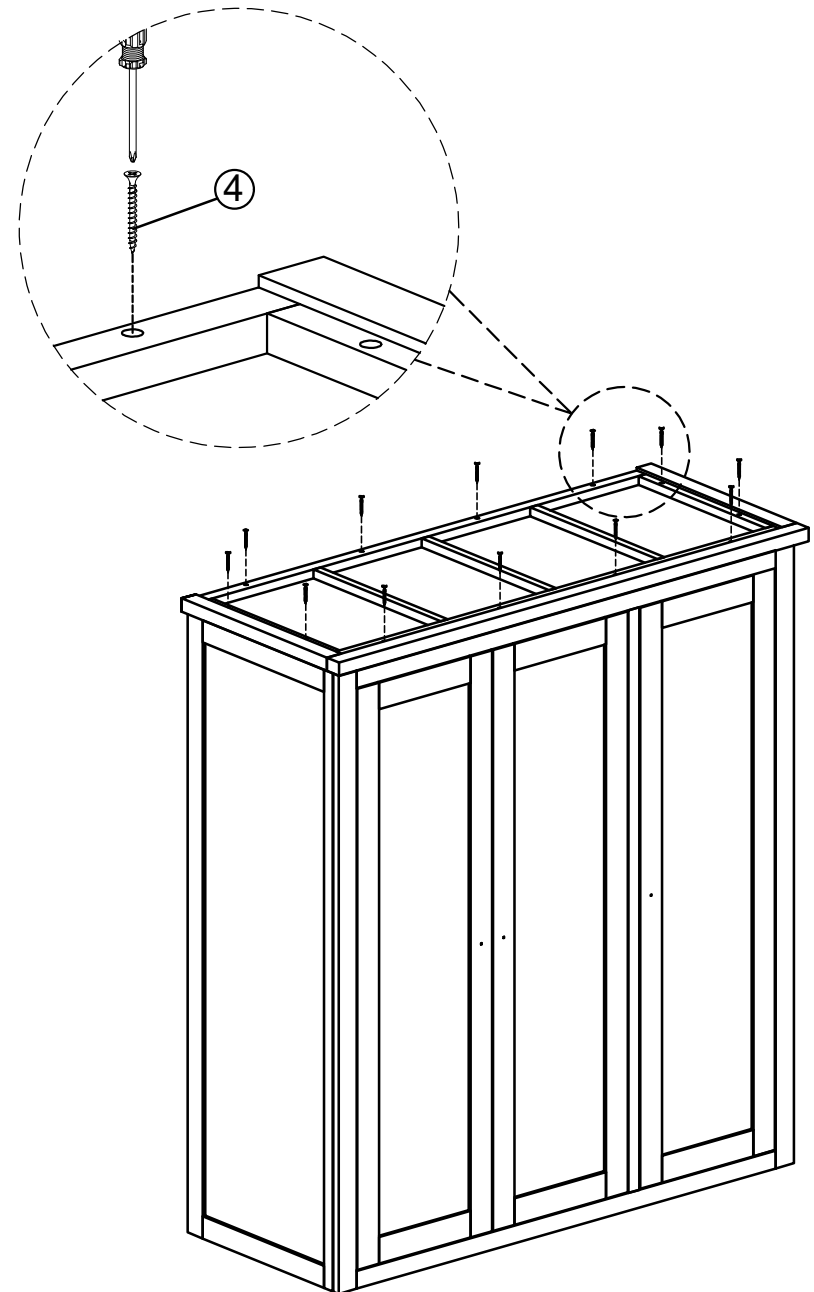
**STEP 2:**



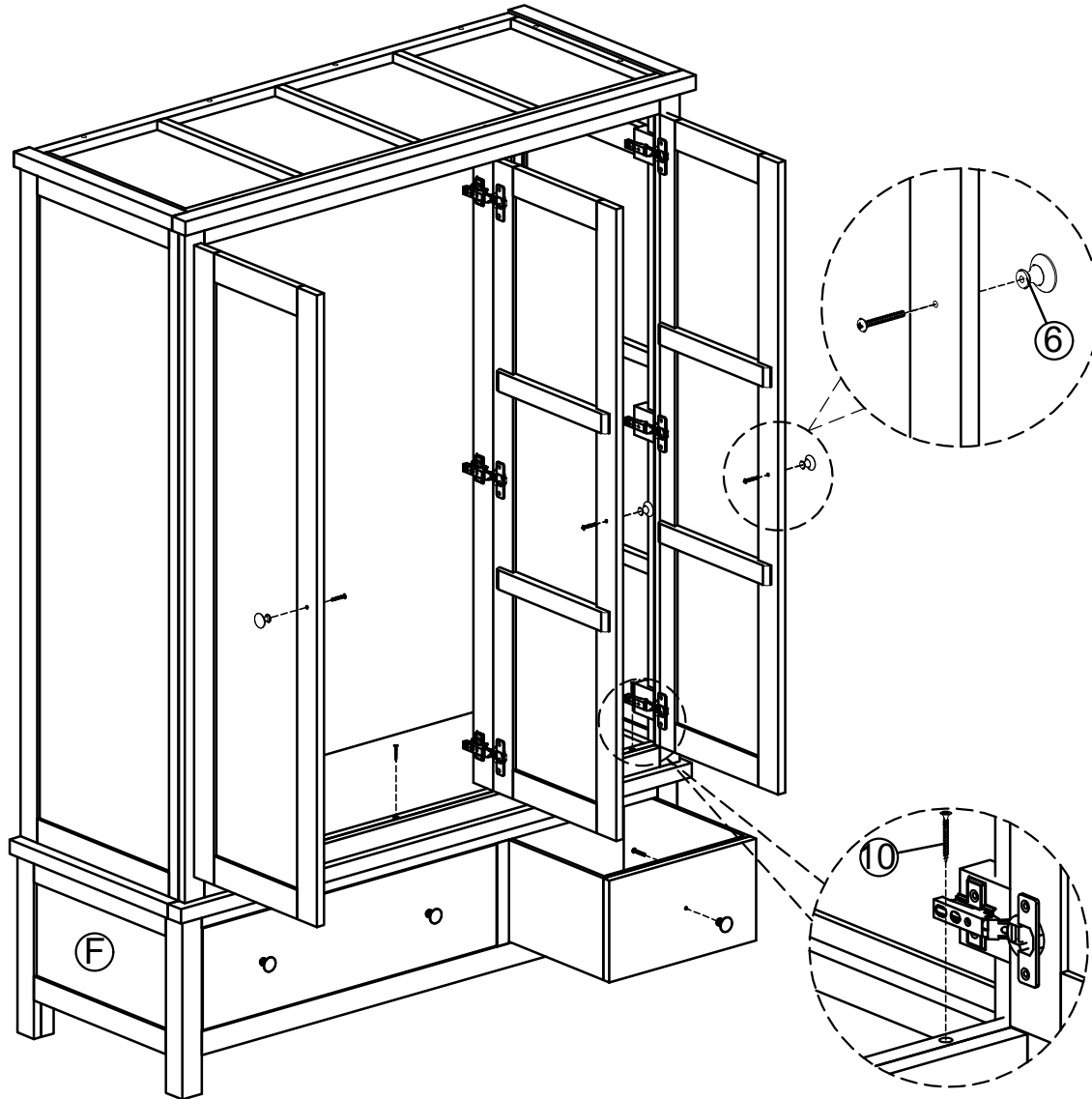
**STEP 3:**



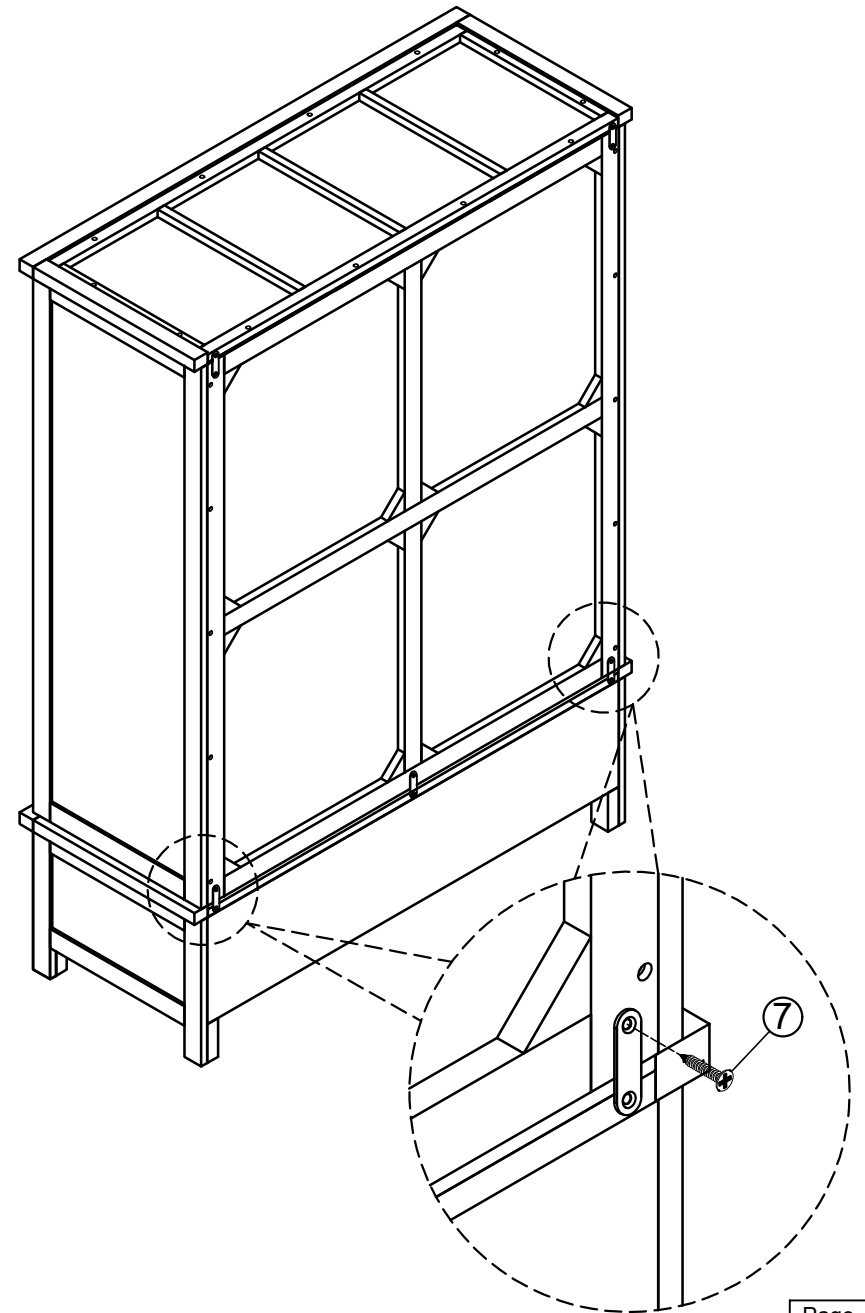
**STEP 4:**



STEP 5:



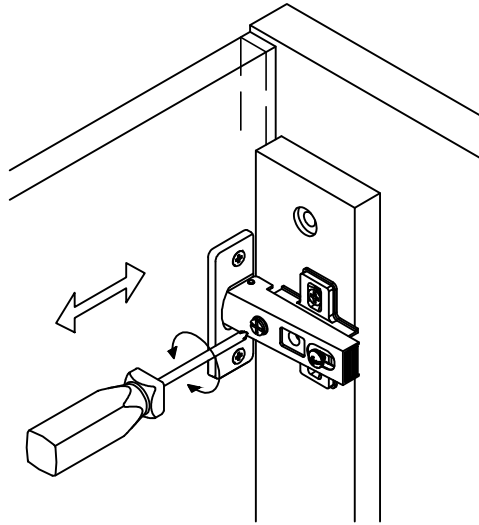
STEP 6:



# HINGE ADJUSTMENT INSTRUCTIONS

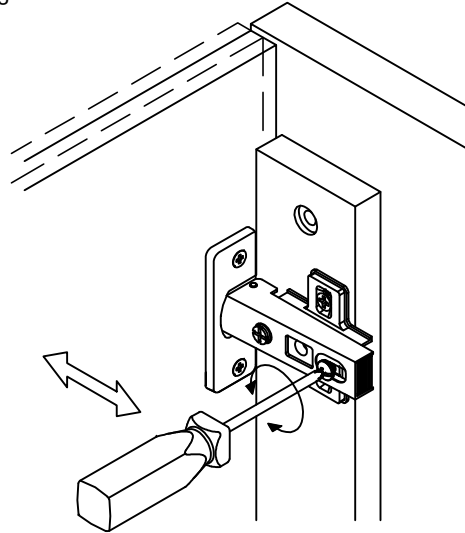
## LATERAL ADJUSTMENT

by screw adjustment.



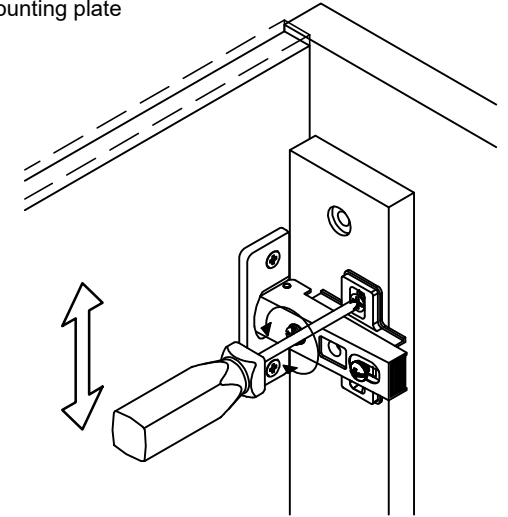
## FRONT-TO-BACK

by slackening and retightening the hinge-arm mounting screw.

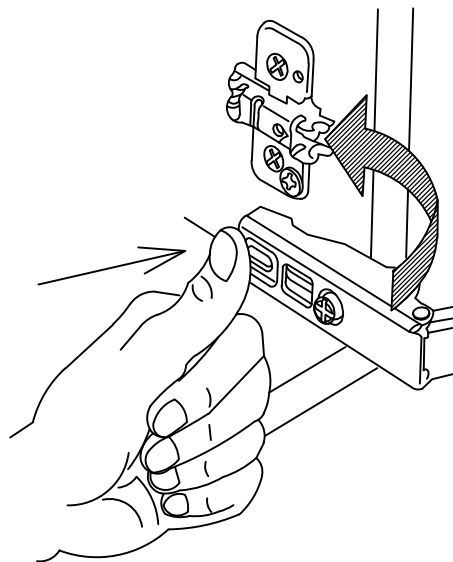


## VERTICAL ADJUSTMENT

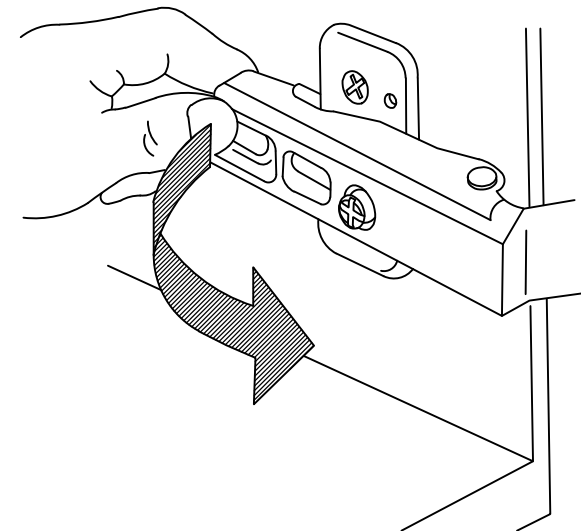
via slots on mounting plate by slackening and retightening the screws on mounting plate



## ASSEMBLY



## DISASSEMBLY



**STEP 6:**

