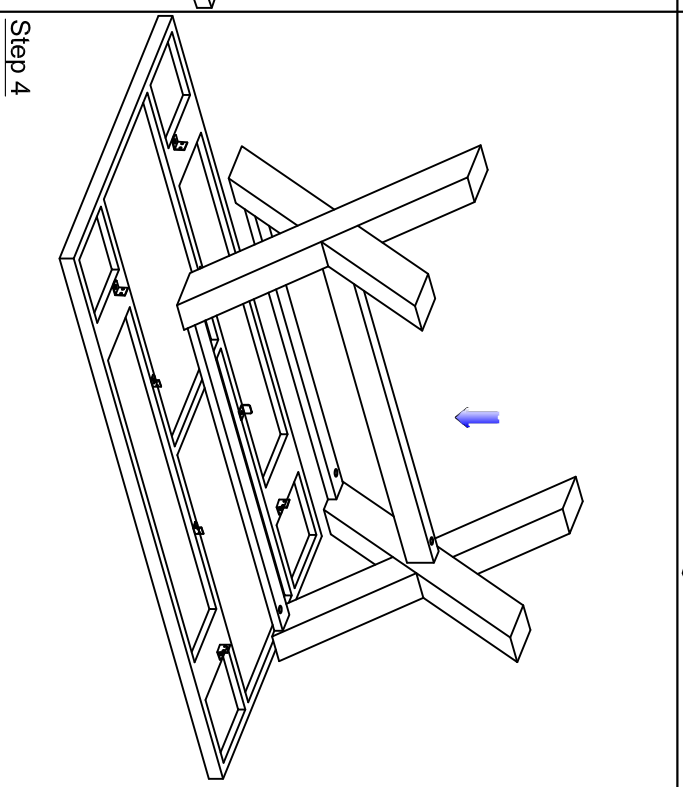
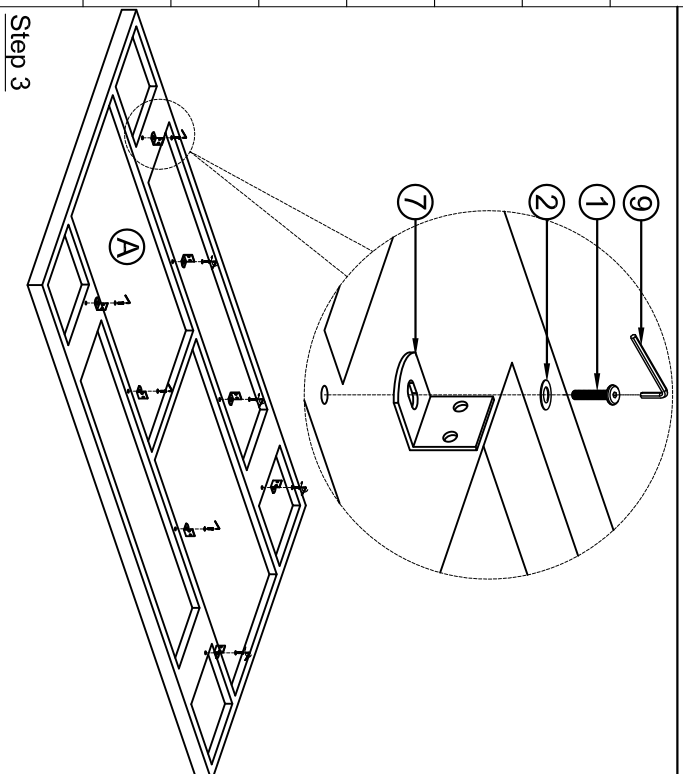
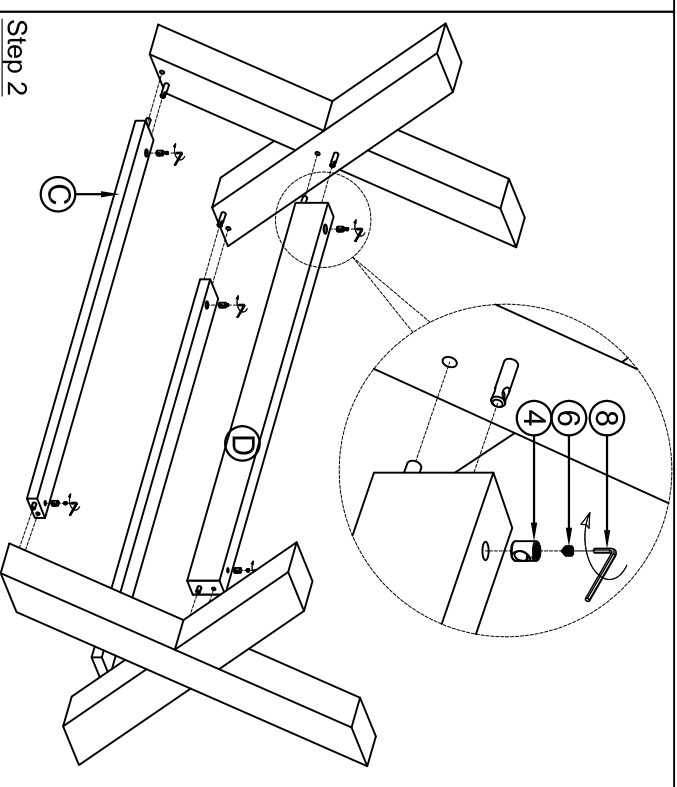
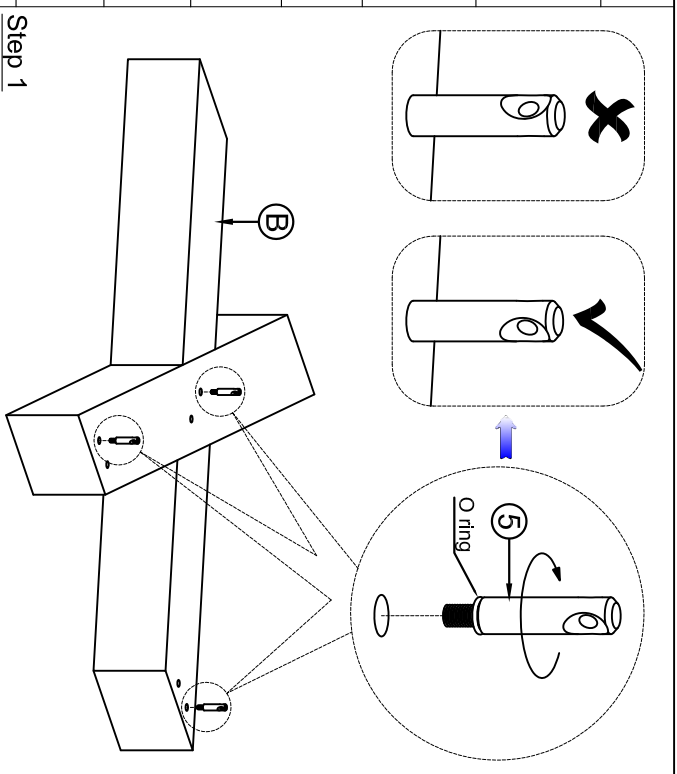
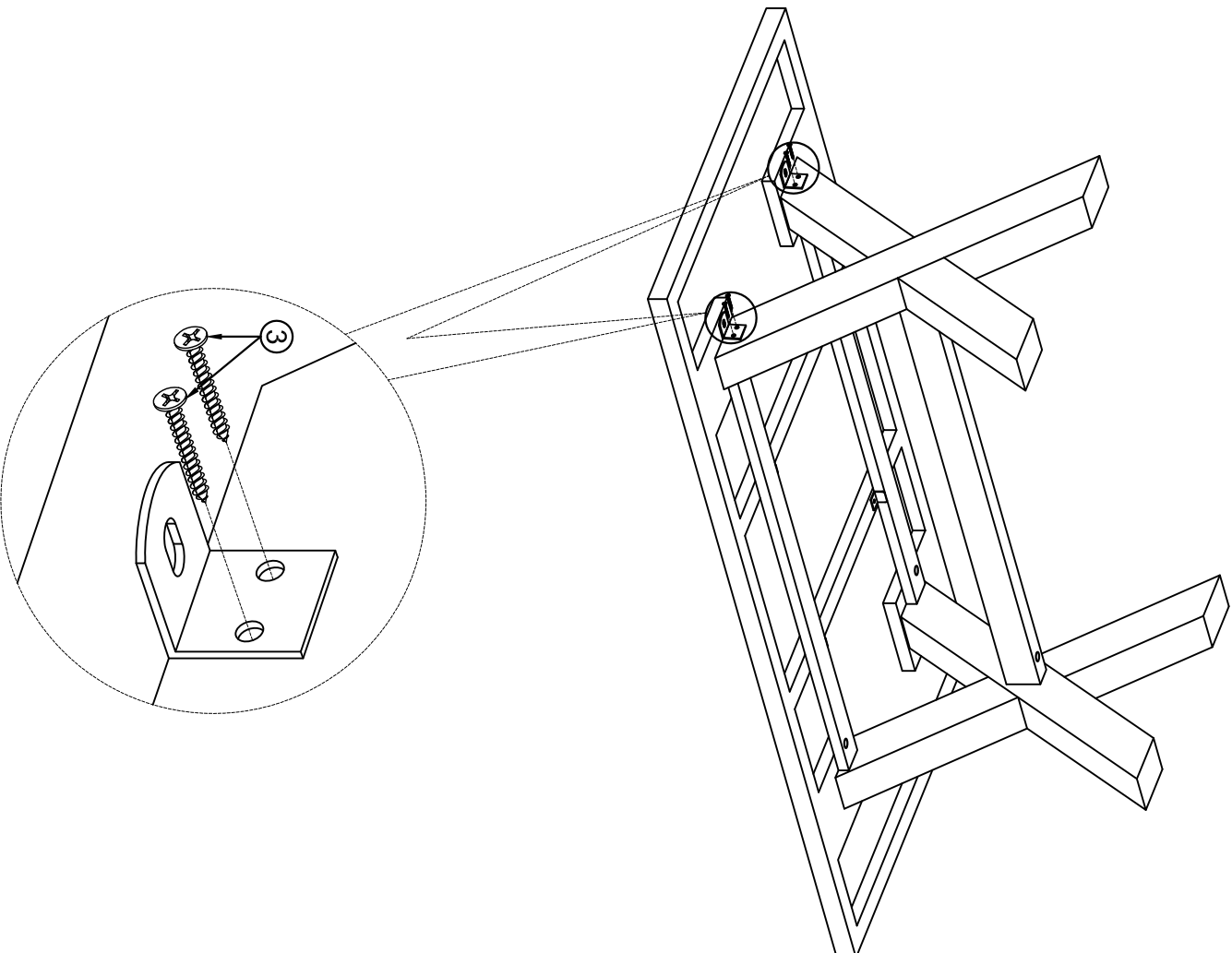


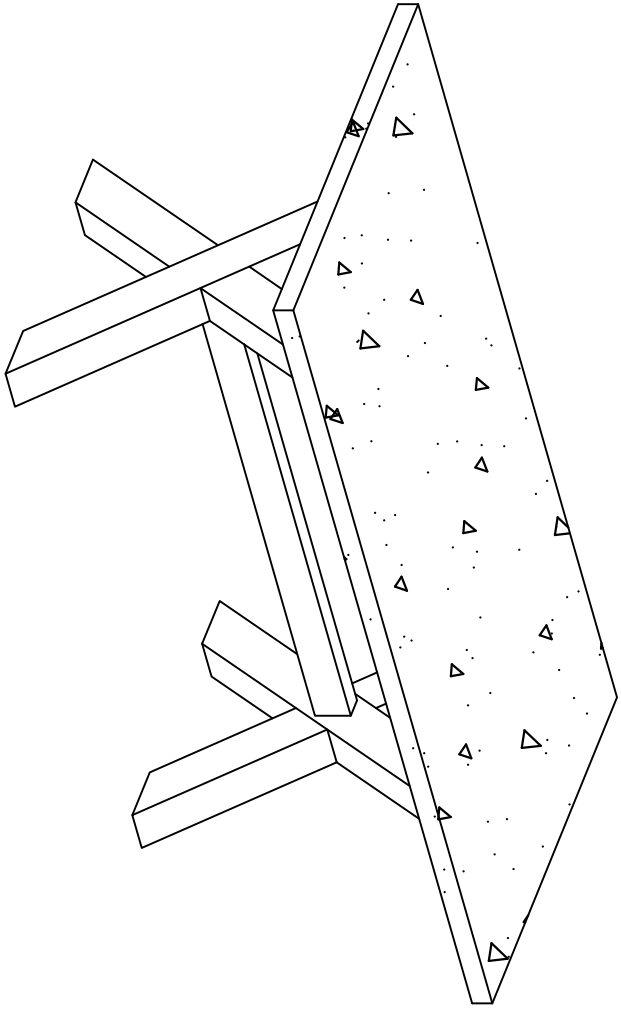
ASSEMBLY INSTRUCTION DINING TABLE

| No | Name of Component | Qty |
|----|----------------------------------|-----|
| A | Table top | 1 |
| B | Leg frame | 2 |
| C | Support bar | 2 |
| D | Cross bar | 1 |
| No | Name of Hardware | Qty |
| 1 | Bolt M6 x 15 | 8 |
| 2 | Washer Ø7/Ø15 x 1 | 8 |
| 3 | Vis M4 x 20 | 16 |
| 4 | Cross nut Ø15 x 20 | 6 |
| 5 | Steel dowel Ø10 x 50 with O ring | 6 |
| 6 | Grub screw Ø10 x 10 | 6 |
| 7 | Metal bracket | 8 |
| 8 | Allen key (K5) | 1 |
| 9 | Allen key (K4) | 1 |





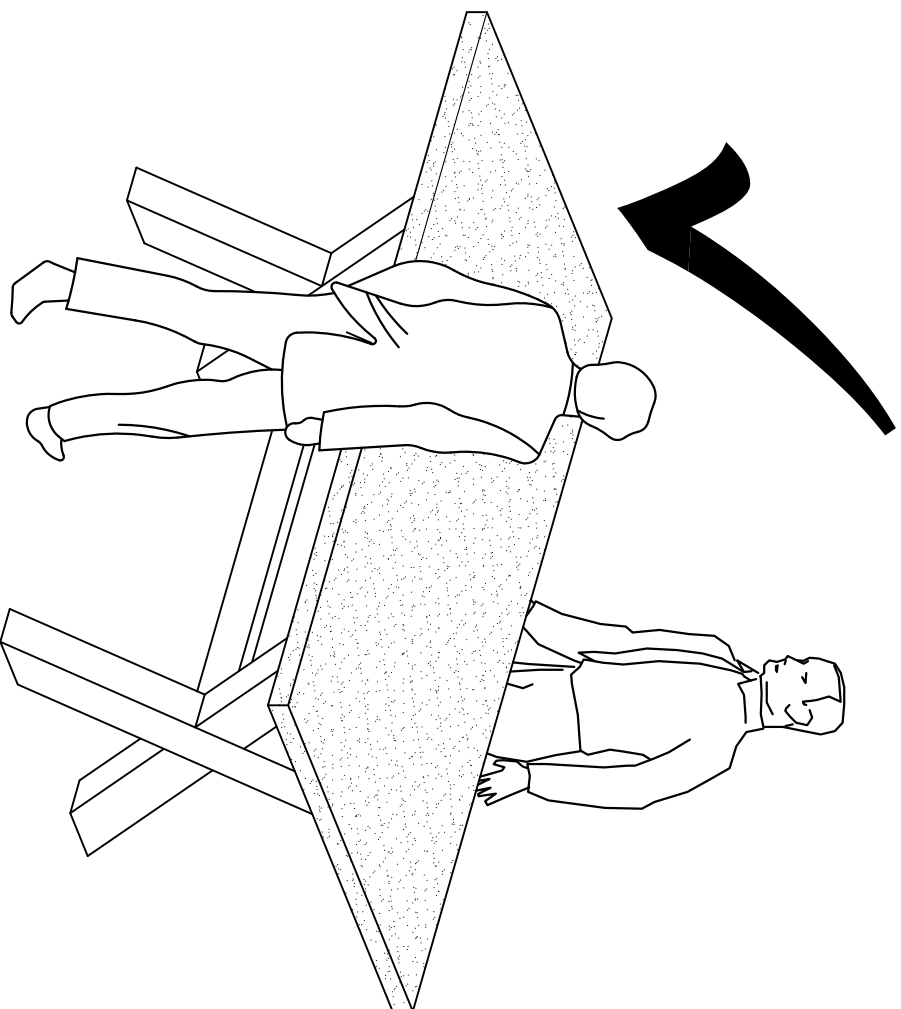
Step 4



Final

CARE OF YOUR FURNITURE
DINING TABLE

Please move by the long edge using a wide grip



Moving the table length ways will
increase the chances of damages

