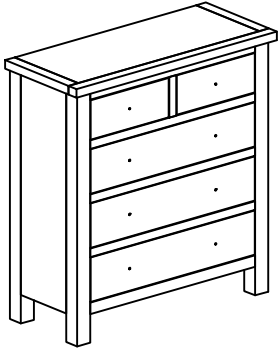



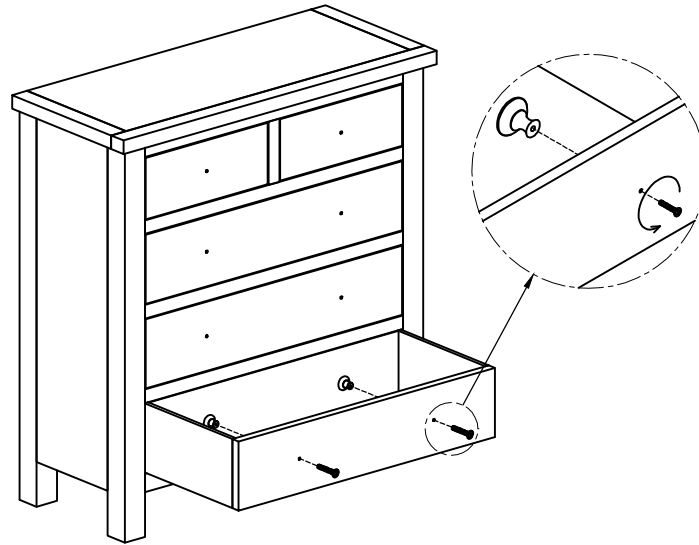


# ASSEMBLY INSTRUCTION

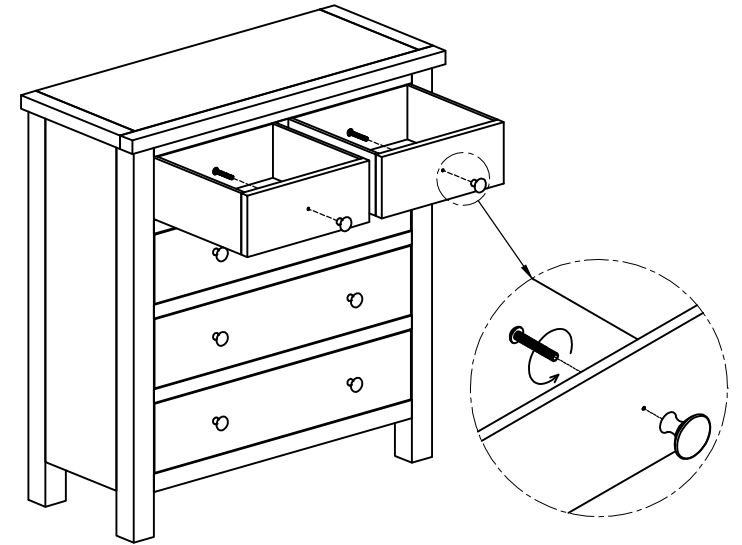
## 2+3 CHEST OF DRAWER

No	Name of Component	Q.ty
A		1
No	Name of Hardware	Q.ty
1	Bracket 	2
2	Tie 	1
3	Screw Ø4 x 20 	2

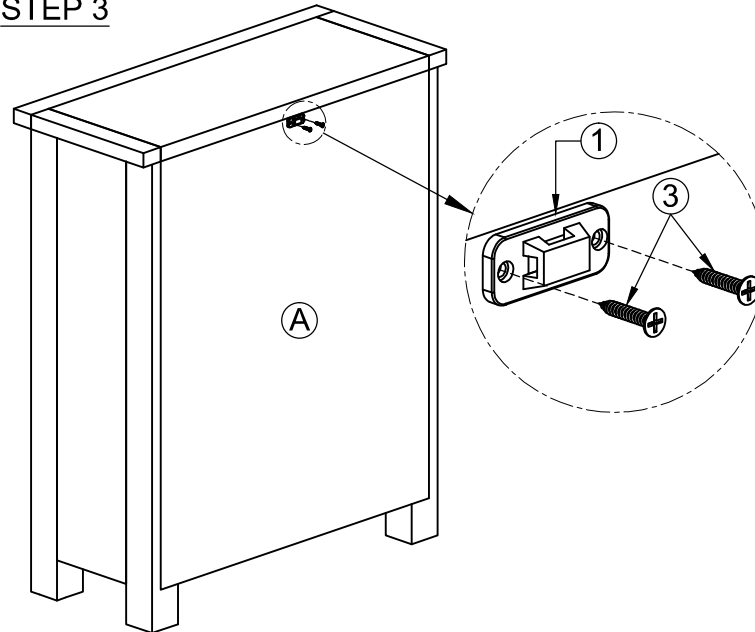
### STEP 1



### STEP 2



### STEP 3



### FINAL

