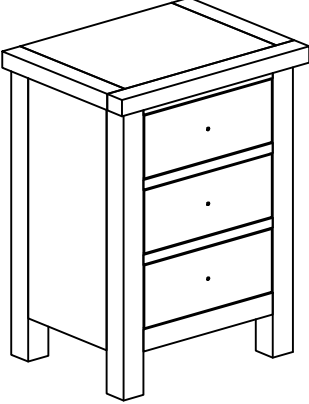
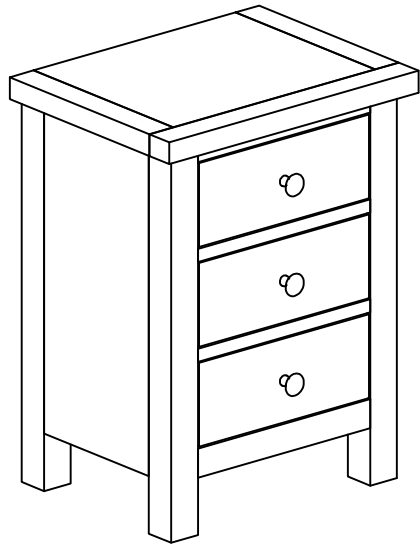
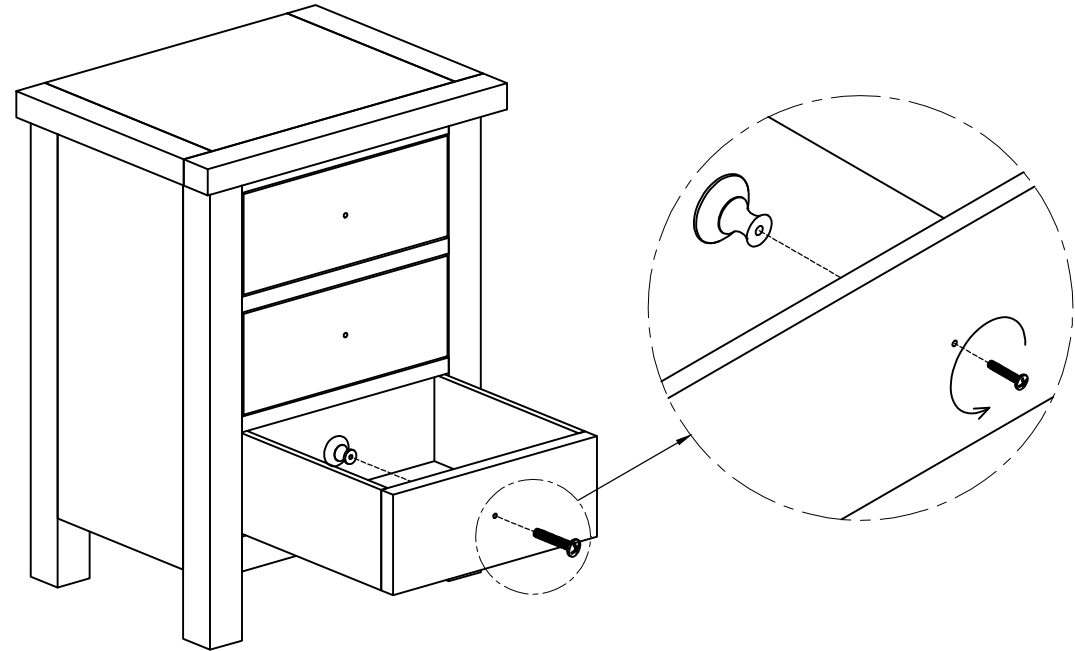


# ASSEMBLY INSTRUCTION

## 3 DRAWER BEDSIDE

No	Name of Component	Q.ty
(A)		1

### STEP 1



### FINAL

