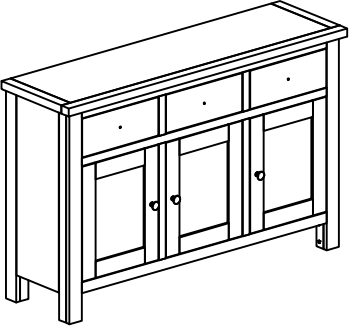



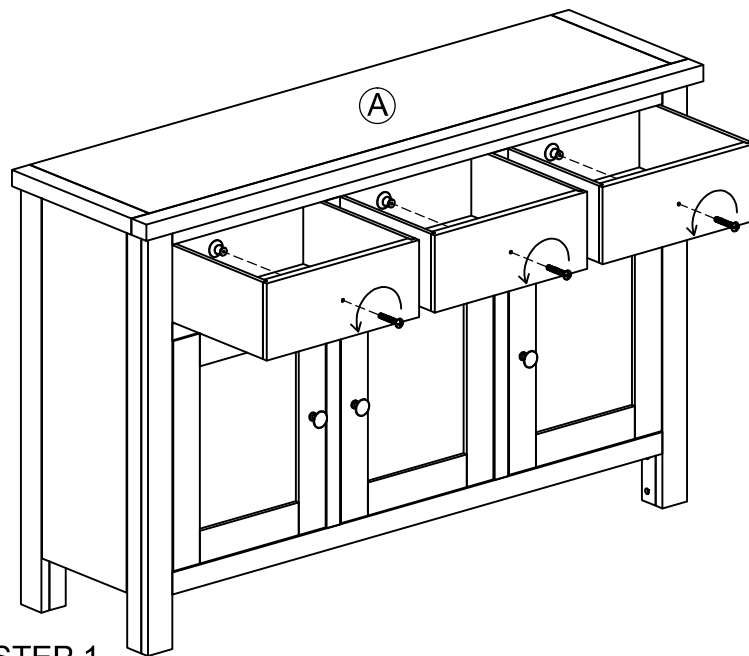
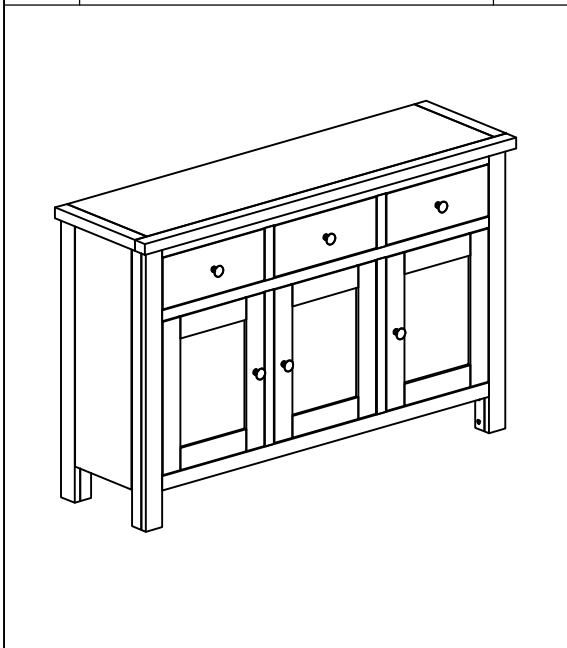


# ASSEMBLY INSTRUCTION

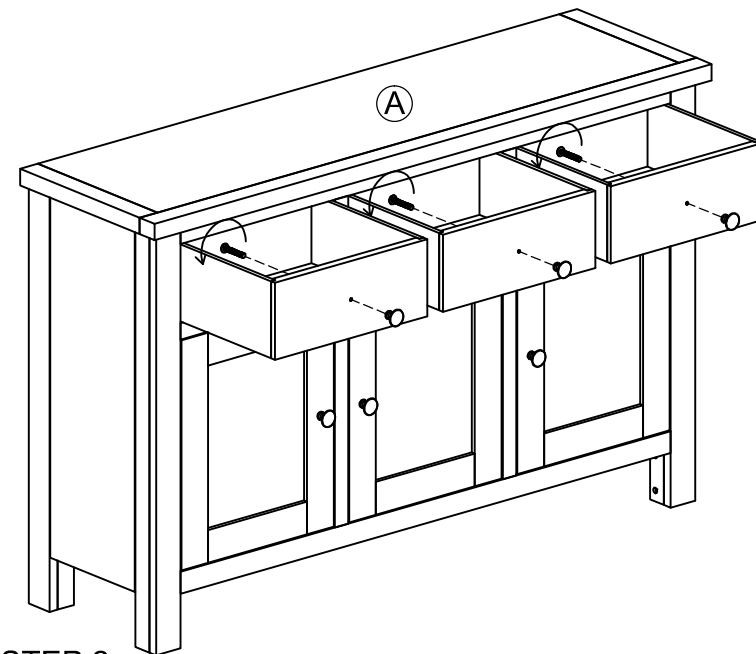
## 3 DOORS SIDEBORD

No	Name of Component	Q.ty
A		1

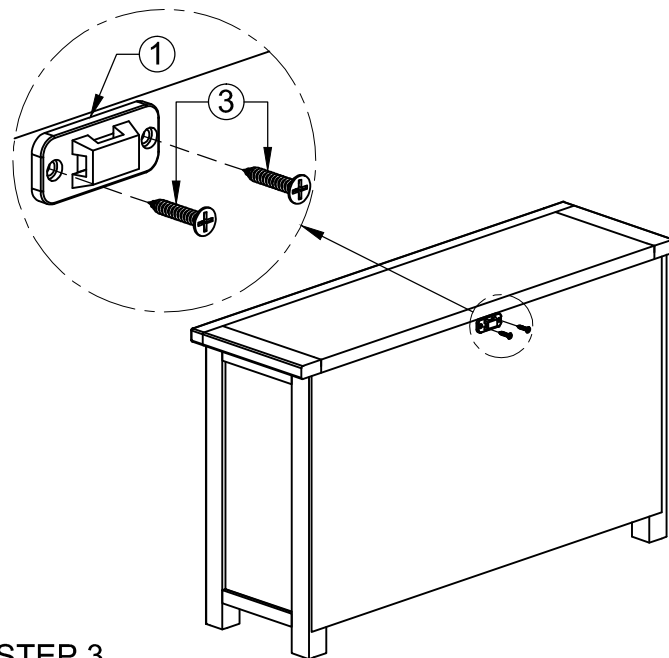
No	Name of Hardware	Q.ty
1	Bracket 	2
2	Tie 	1
3	Screw Ø4 x 20 	2



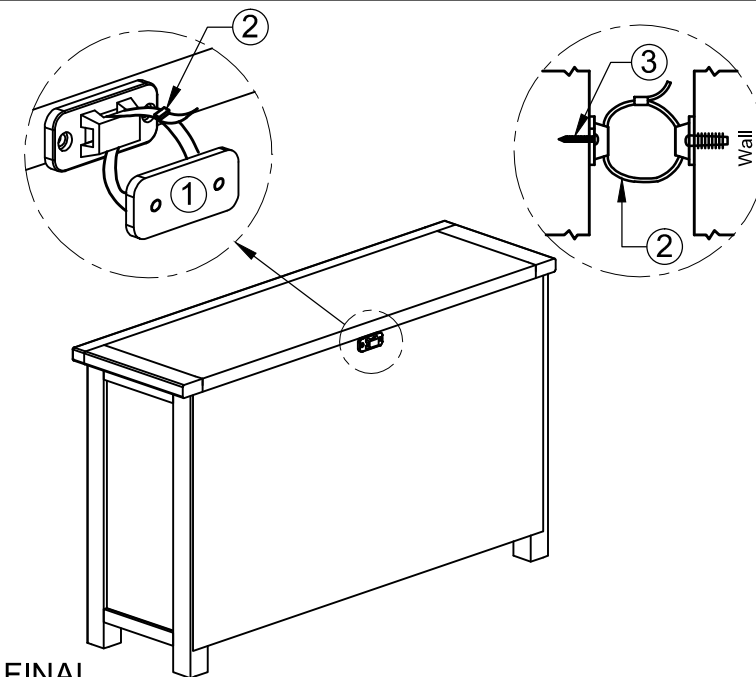
**STEP 1**



**STEP 2**



**STEP 3**



**FINAL**