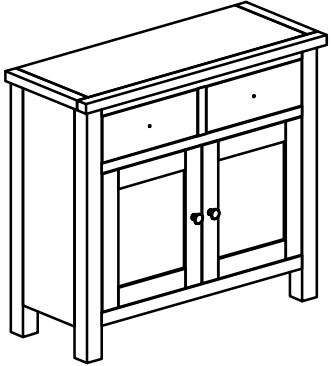





# ASSEMBLY INSTRUCTION 2 DOORS SIDEBOARD

No	Name of Component	Q.ty
(A)		1
No	Name of Hardware	Q.ty
(1)	Bracket 	2
(2)	Tie 	1
(3)	Screw $\varnothing 4 \times 20$ 	2

