


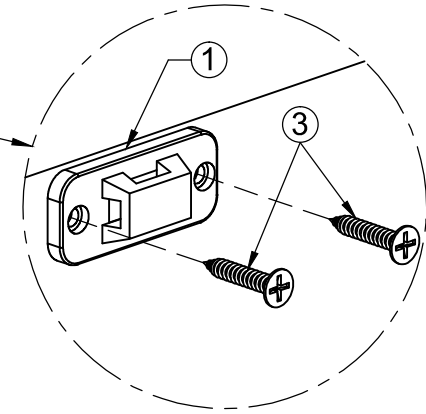
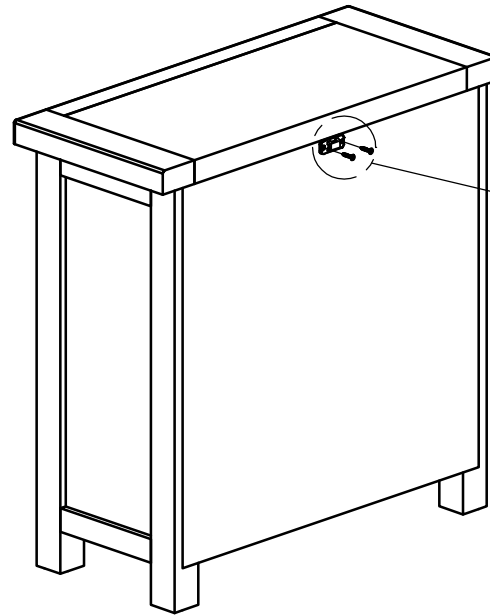
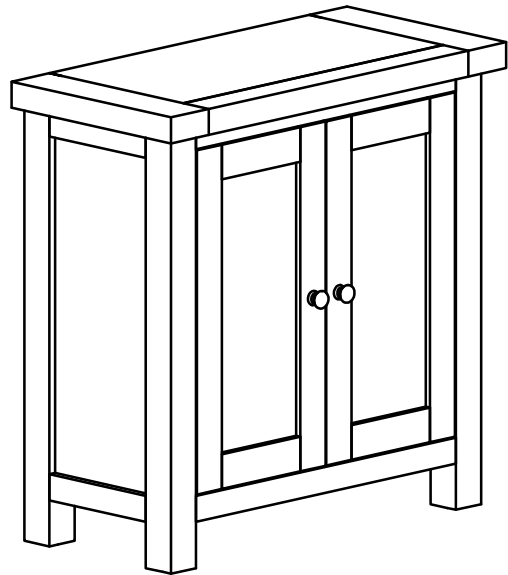
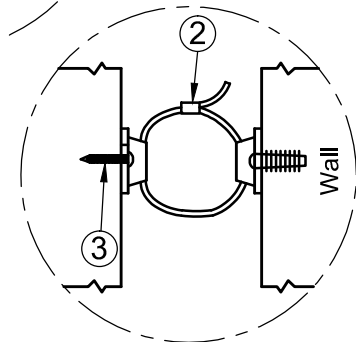
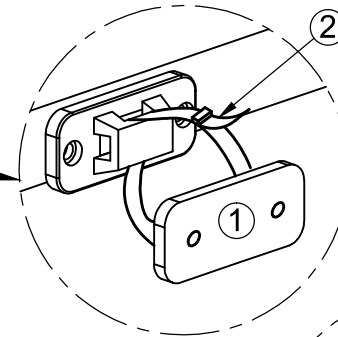
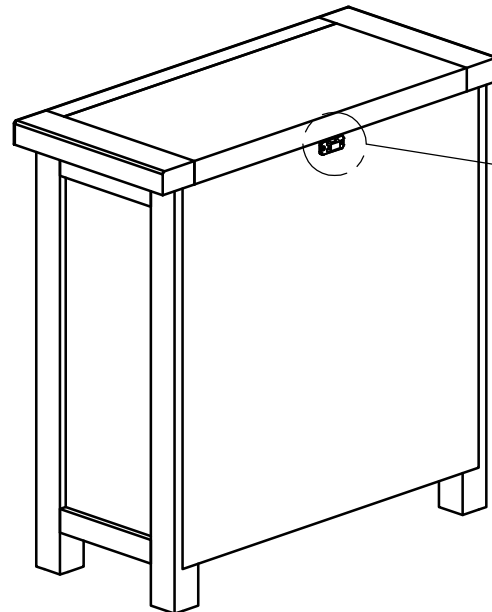


# ASSEMBLY INSTRUCTION MINI CUPBOARD

No	Name of Hardware	Q.ty
①	Bracket 	2
②	Tie 	1
③	Screw M4 x 20 	2



STEP 1



STEP 2