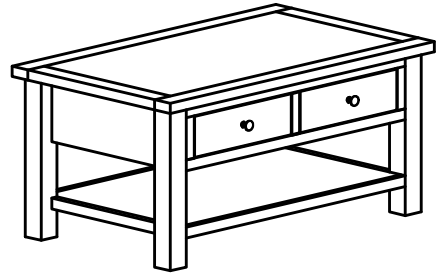
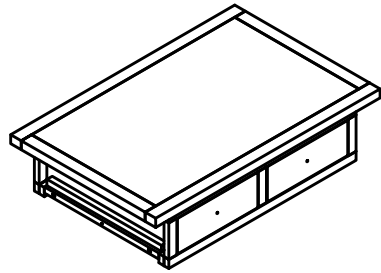


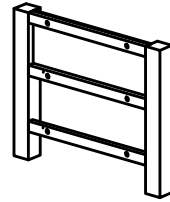
ASSEMBLY INSTRUCTION COFFEE TABLE



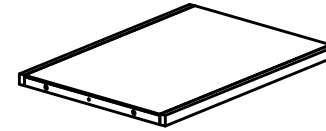
(A) - TOP 1X



(B) - SIDE 2X

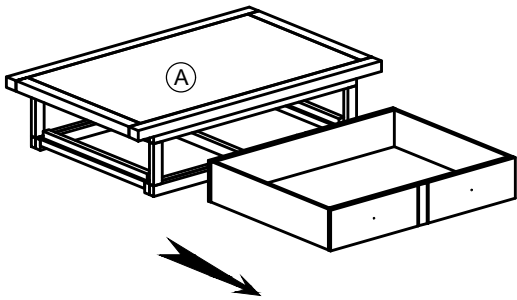


(C) - SHELF 1X

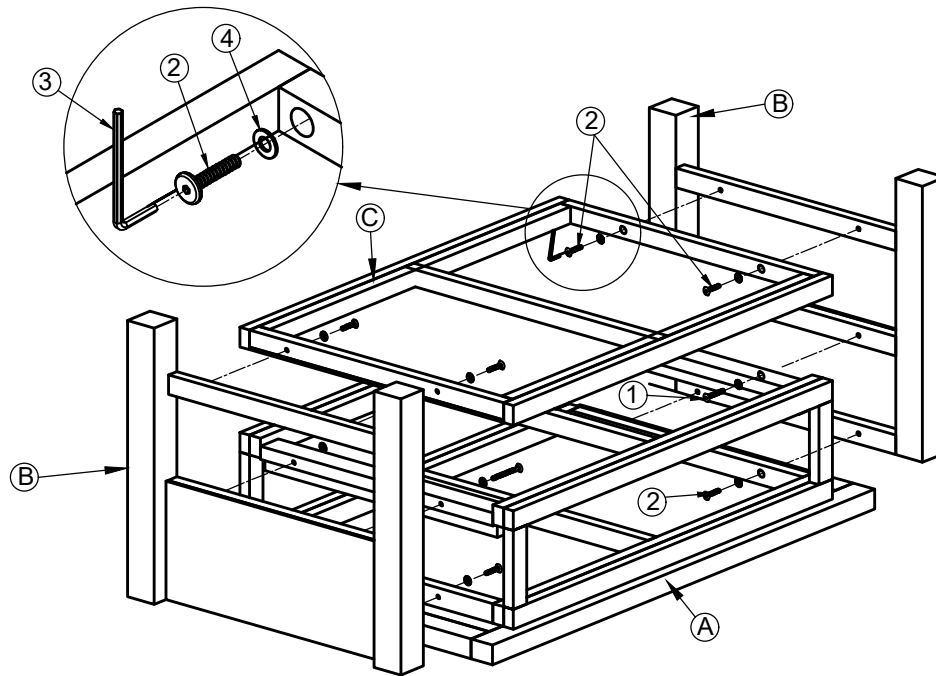


No	Hardware List	Fig	Q.TY (pcs)
①	Bolt M6 x 55		4
②	Bolt M6 x 35		8
③	Allen Key (K4)		1
④	Washer		12

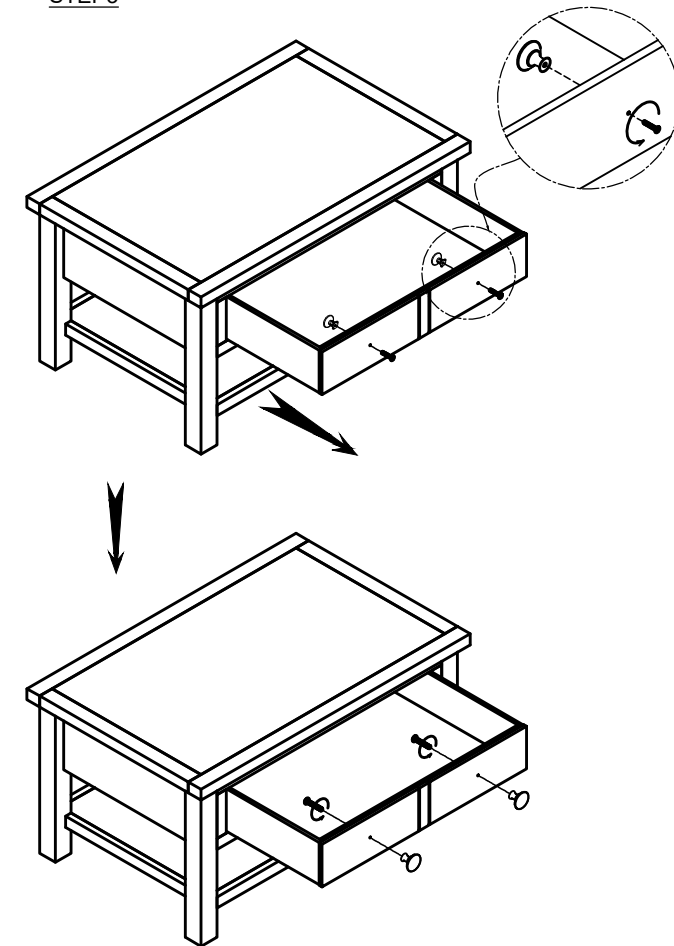
STEP1



STEP2



STEP3



FINAL