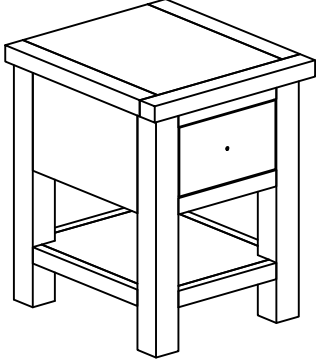
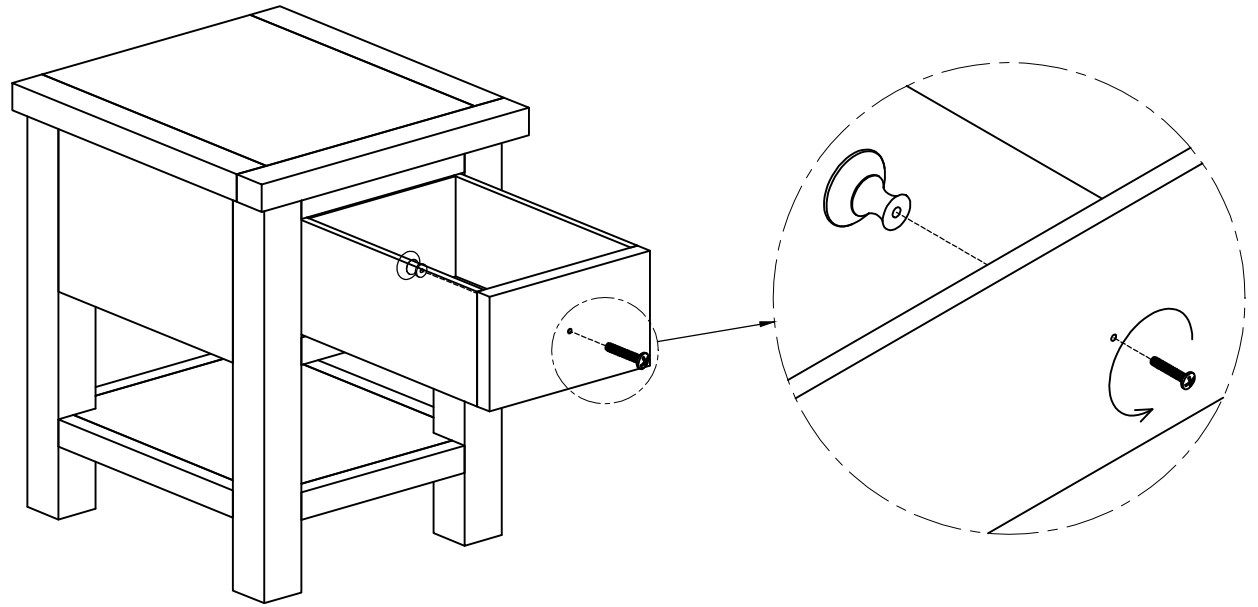


ASSEMBLY INSTRUCTION LAMP TABLE

No	Name of Component	Q.ty
(A)		1

STEP 1



FINAL

