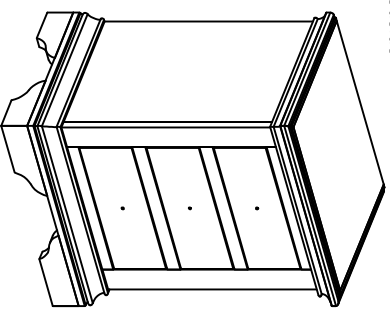
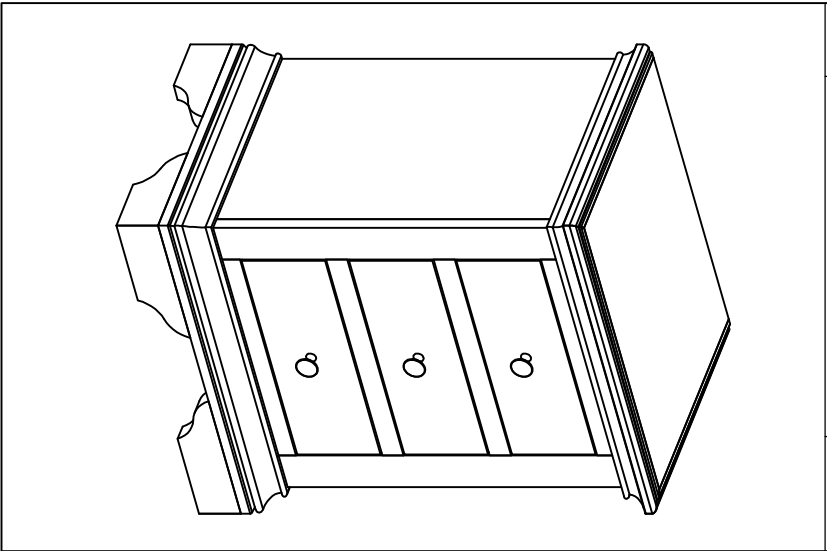
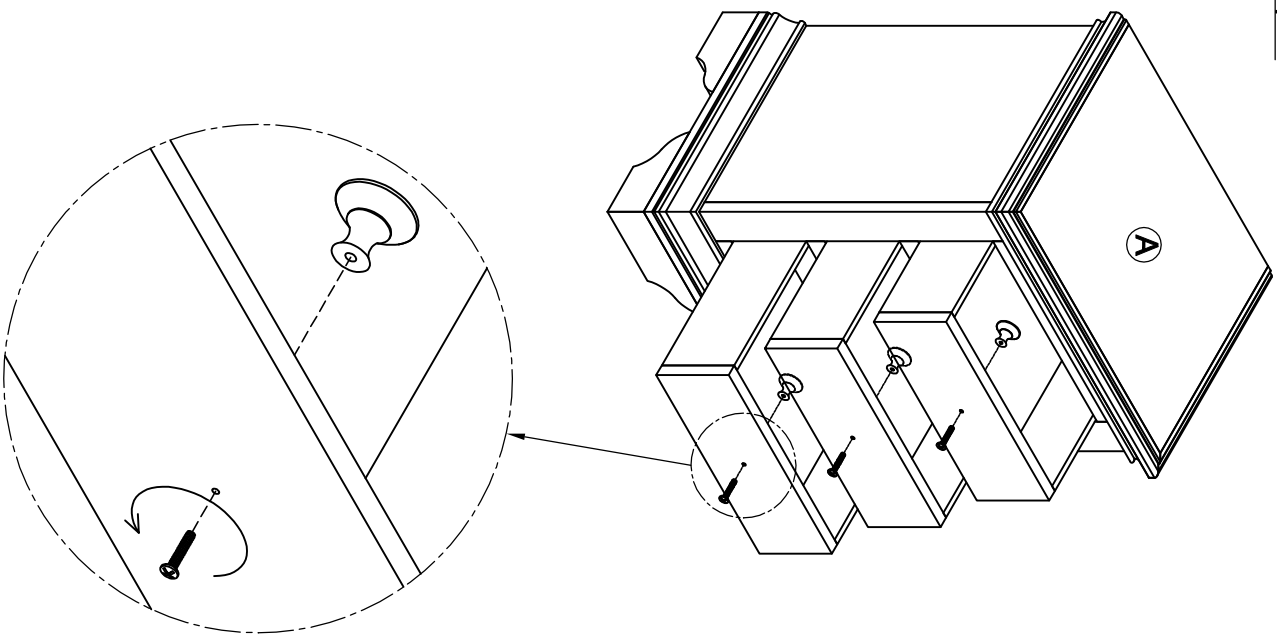


ASSEMBLY INSTRUCTION BEDSIDE

No	Name of Component	Q.ty
	Bedside	
(A)		1



Step 1:



Step 2:

