









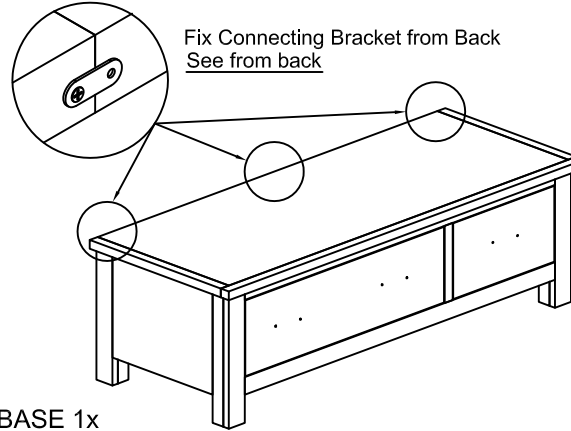


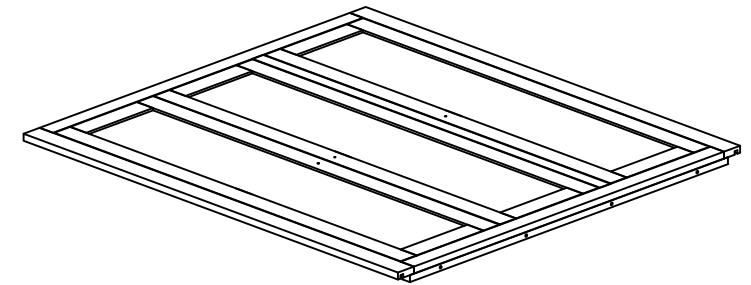
ASSEMBLY INSTRUCTION

G2625 - TRIPLE WARDROBE

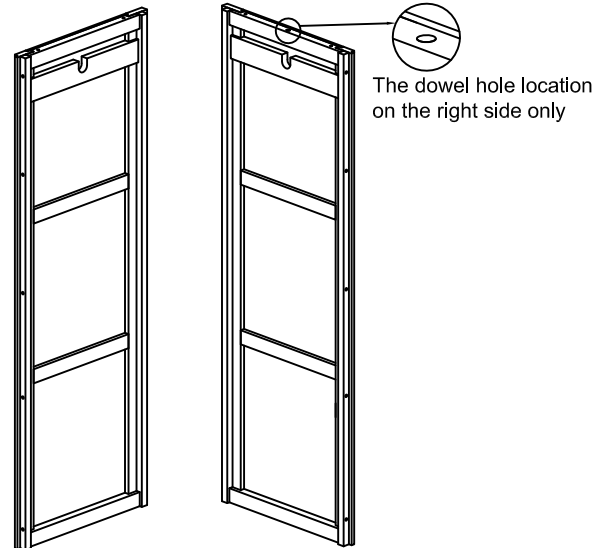
No	List of Hardware	FIG	Q'ty (pcs)
①	Bolt M6x35		10
②	Screw Ø4x35		22
③	Screw Ø4x20		7
④	Screw Ø4x45		4
⑤	Wooden Dowel Ø8x30		1
⑥	Handle with bolt		3 (set)
⑦	Flat Washer M6		10
⑧	Allen key K4		1
⑨	Bracket		2
⑩	Tie		1



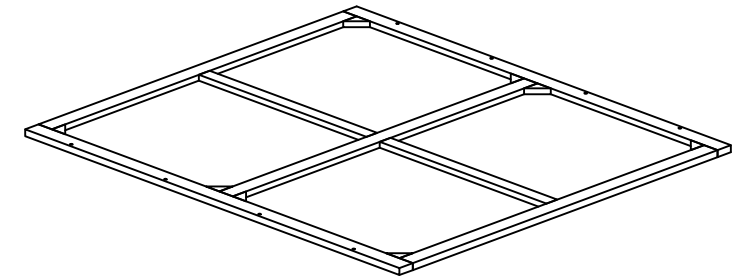
Ⓐ - BASE 1x



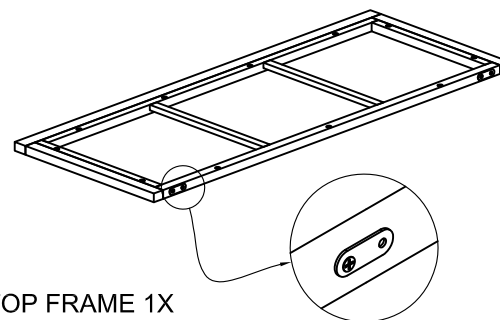
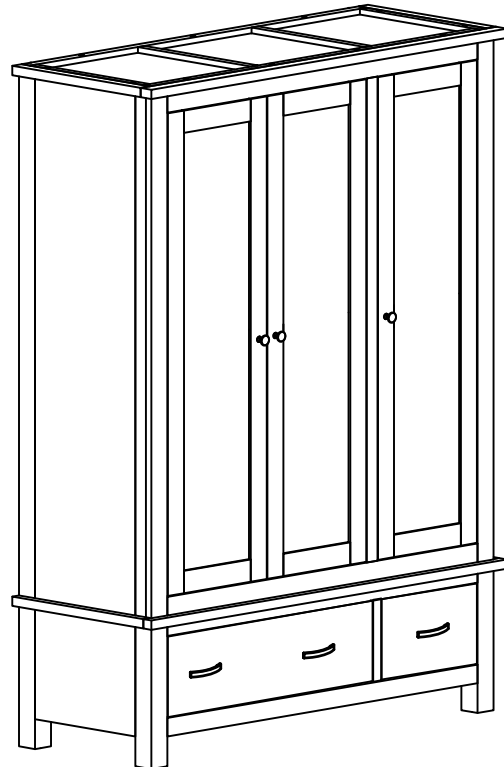
Ⓑ - FRONT FRAME WITH DOOR 1X



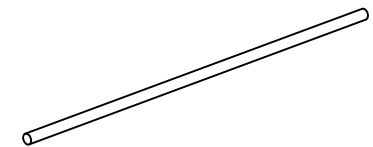
Ⓒ - RIGHT FRAME 1X AND LEFT FRAME 1X



Ⓓ - BACK FRAME 1X

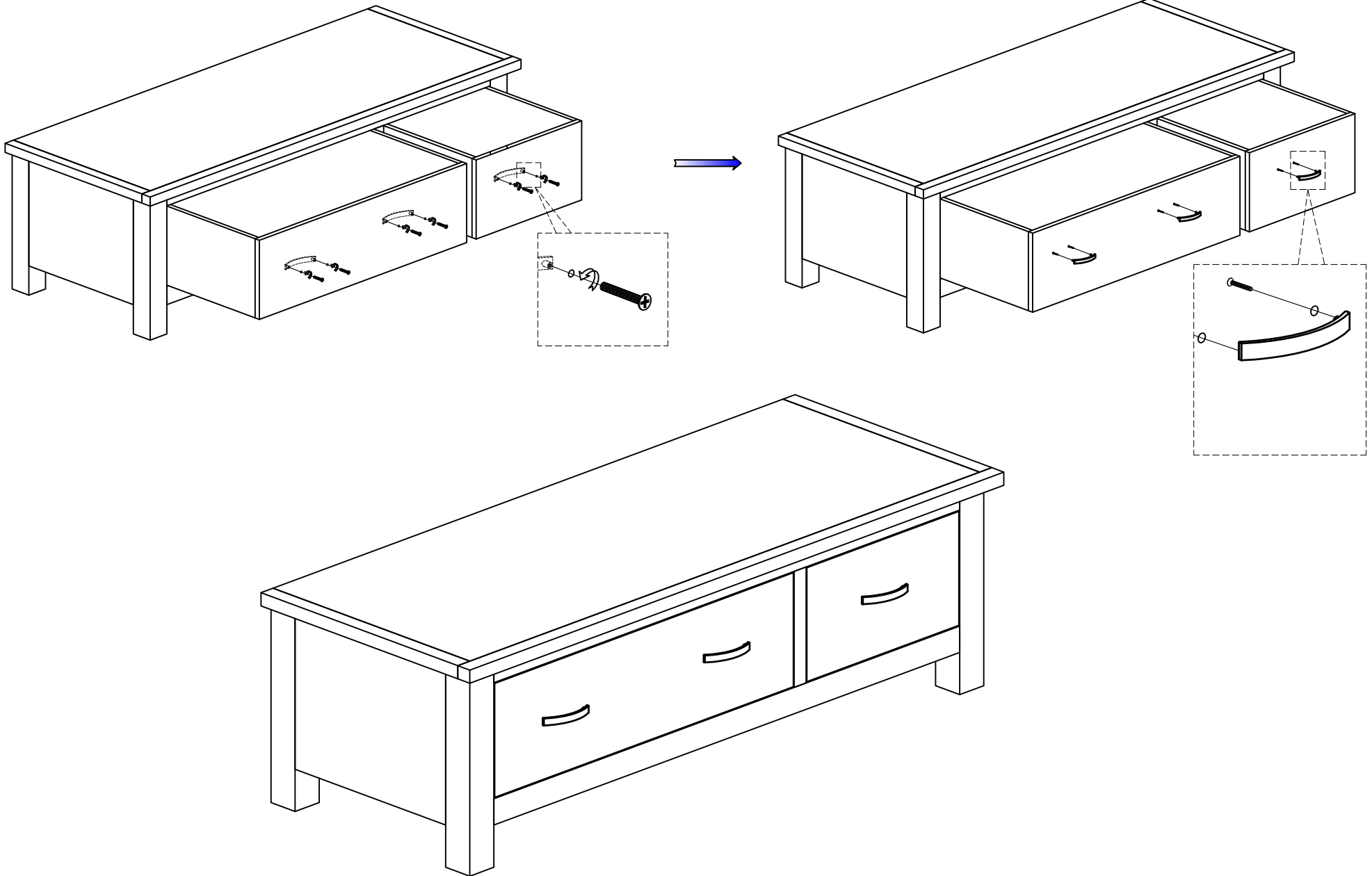


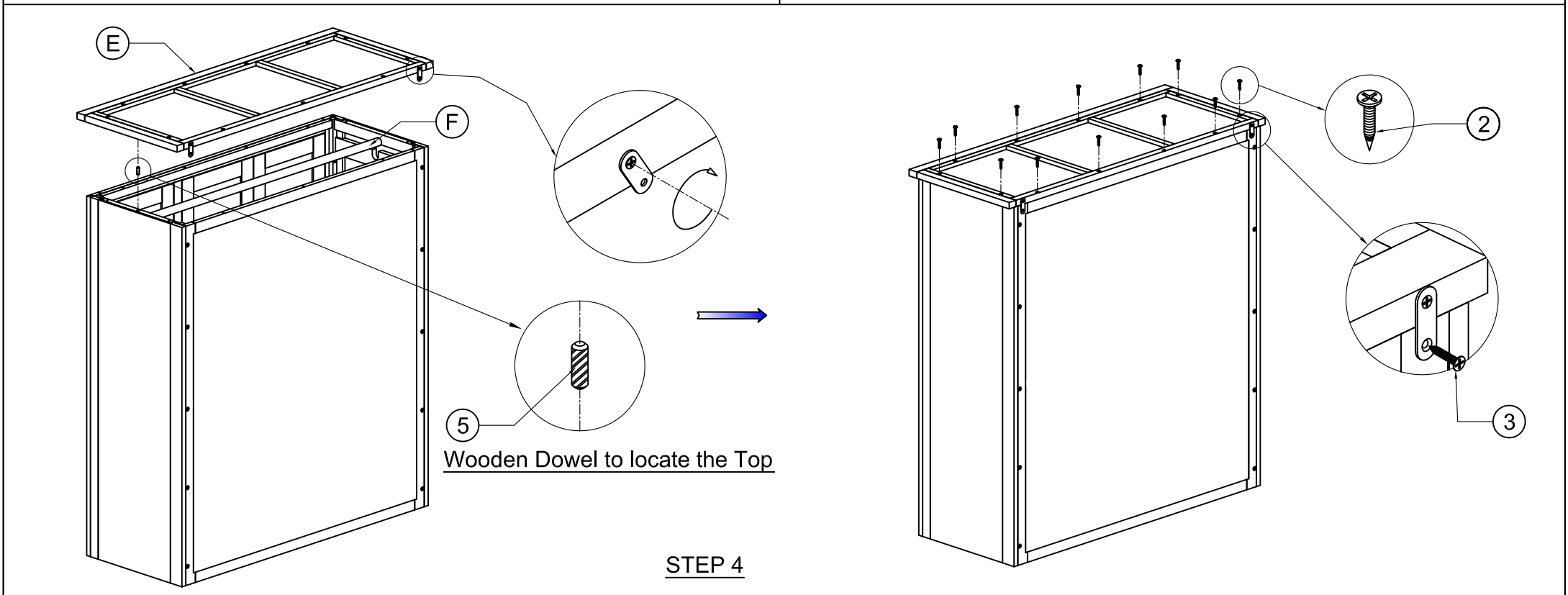
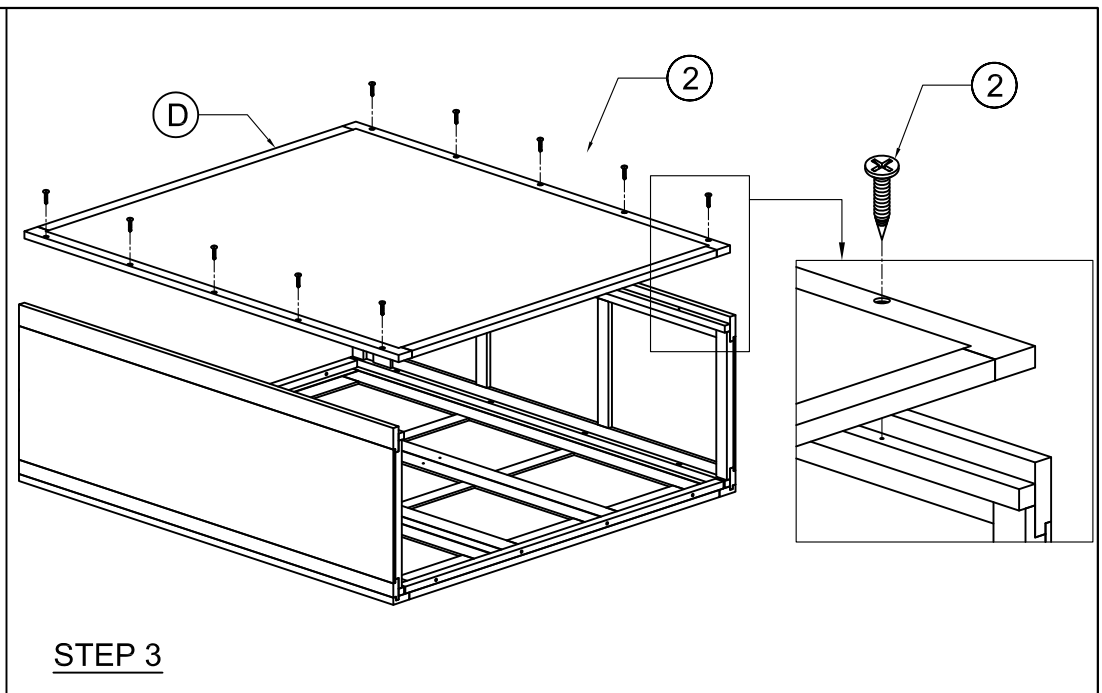
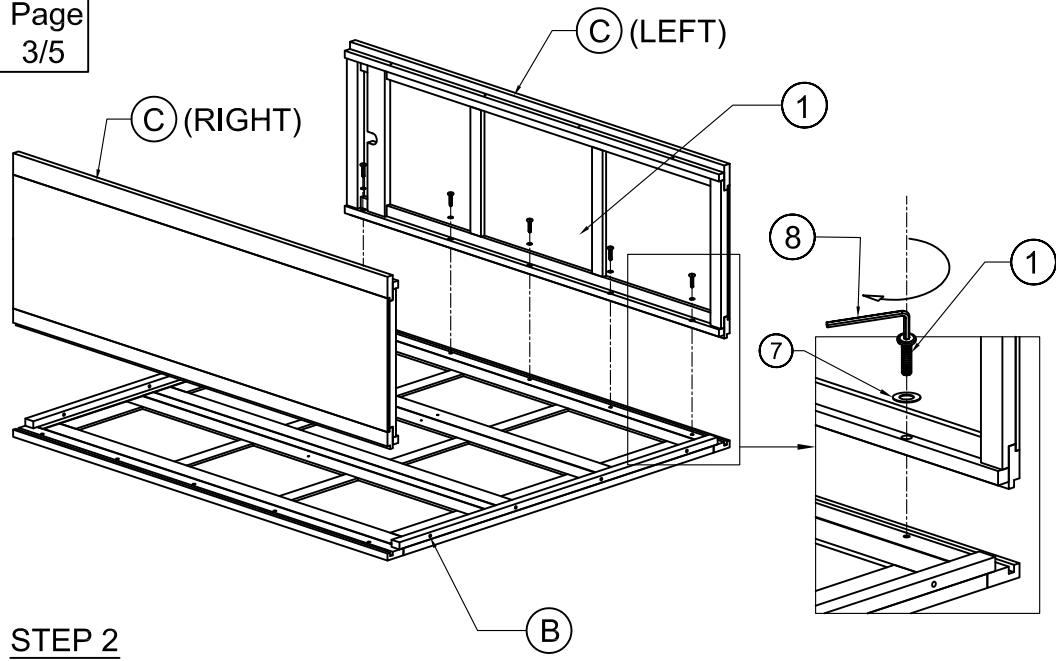
Ⓔ - TOP FRAME 1X



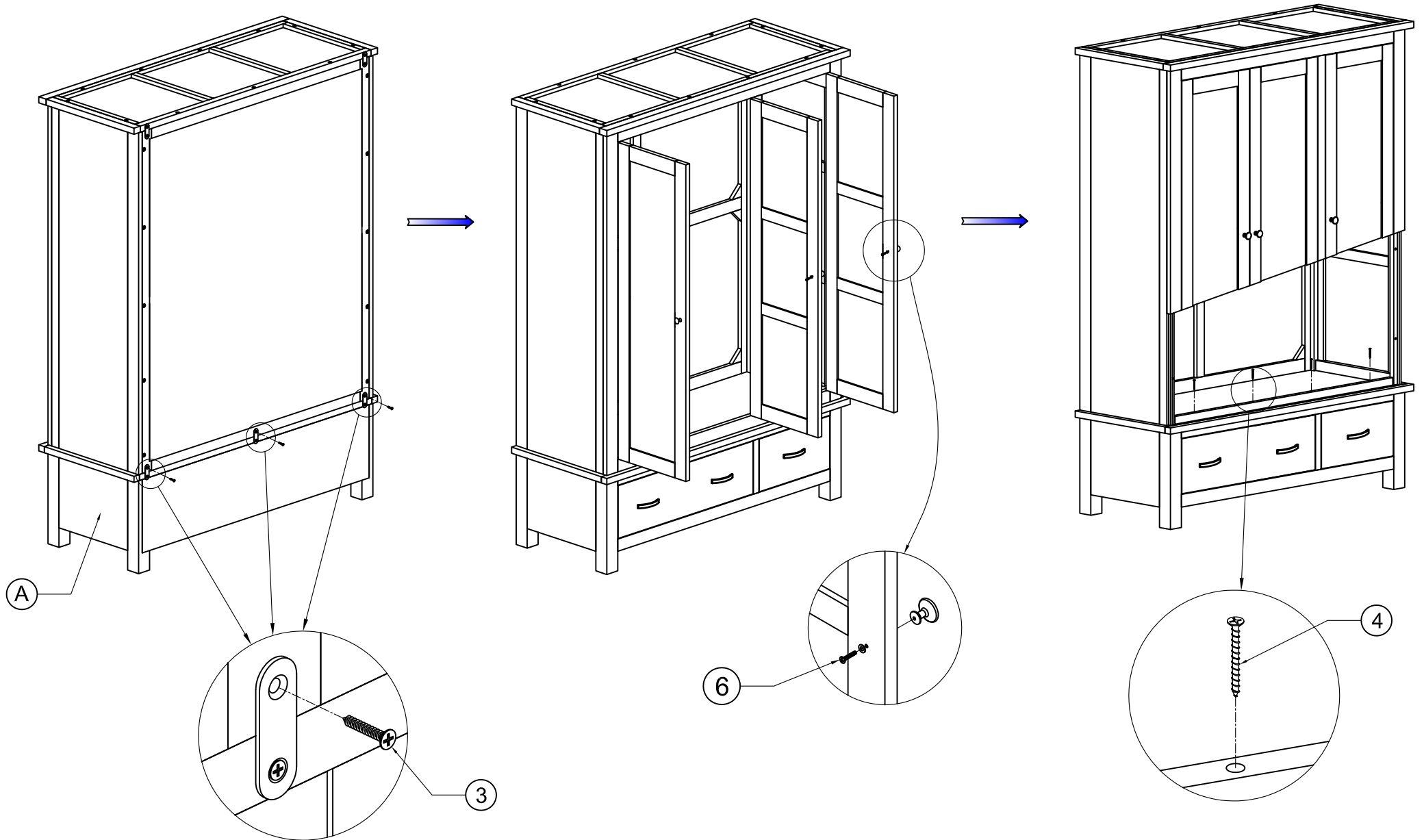
Ⓕ - HANGING RAIL 1X

STEP1





STEP 5



STEP 5

FINAL

