






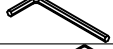


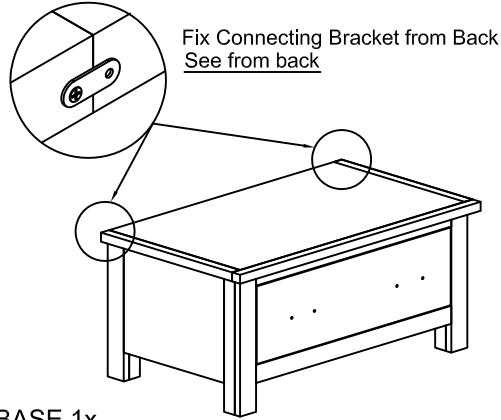
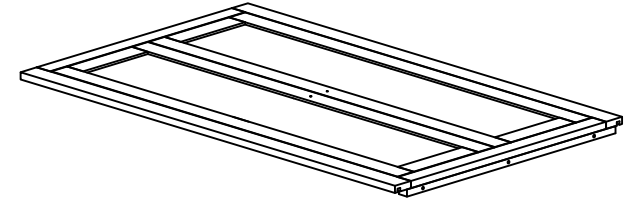


## ASSEMBLY INSTRUCTION G2624 - GENTS WARDROBE

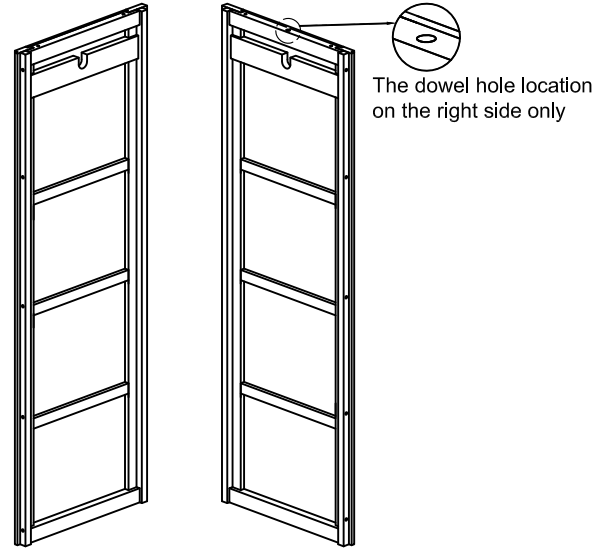
No	LIST OF HARDWARE	FIG	Q.ty (pcs)
①	Bolt M6x35		10
②	Screw Ø4x35		18
③	Screw Ø4x20		6
④	Screw Ø4x45		3
⑤	Wooden Dowel Ø8x30		1
⑥	Handle with bolt		2 (set)
⑦	Flat Washer M6		10
⑧	Allen key K4		1
⑨	Bracket		2
⑩	Tie		1



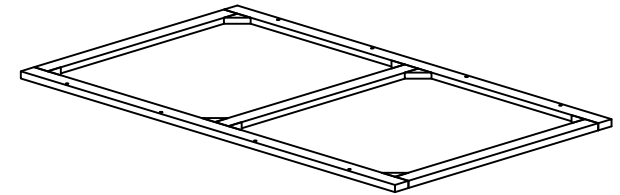
Ⓐ - BASE 1x



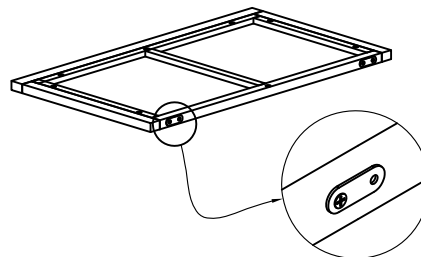
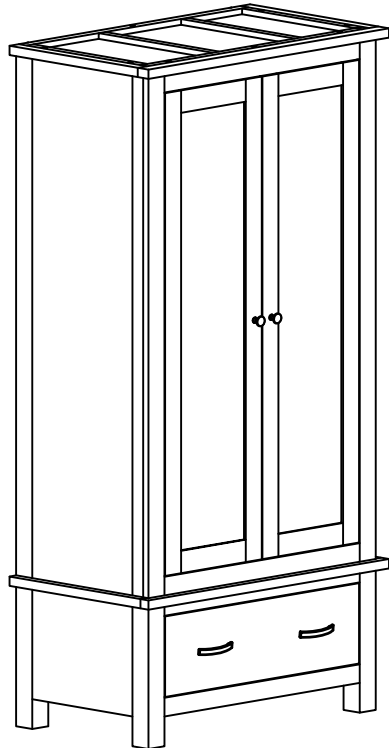
Ⓑ - FRONT FRAME WITH DOOR 1X



Ⓒ - RIGHT FRAME 1X AND LEFT FRAME 1X



Ⓓ - BACK FRAME 1X

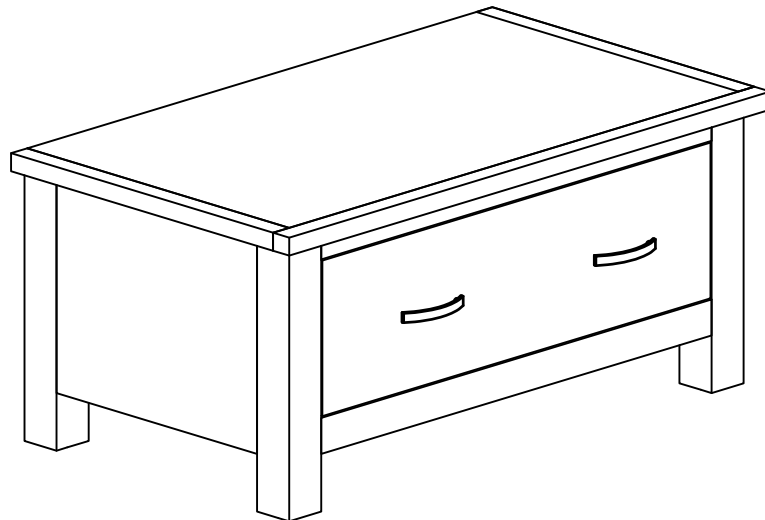
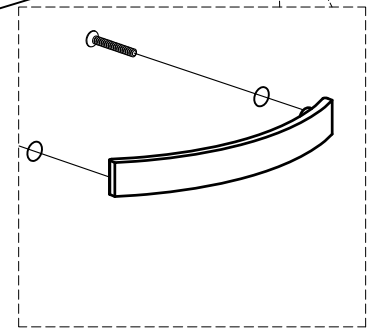
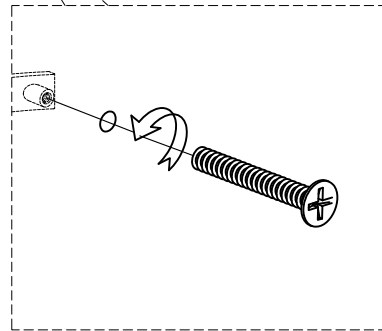
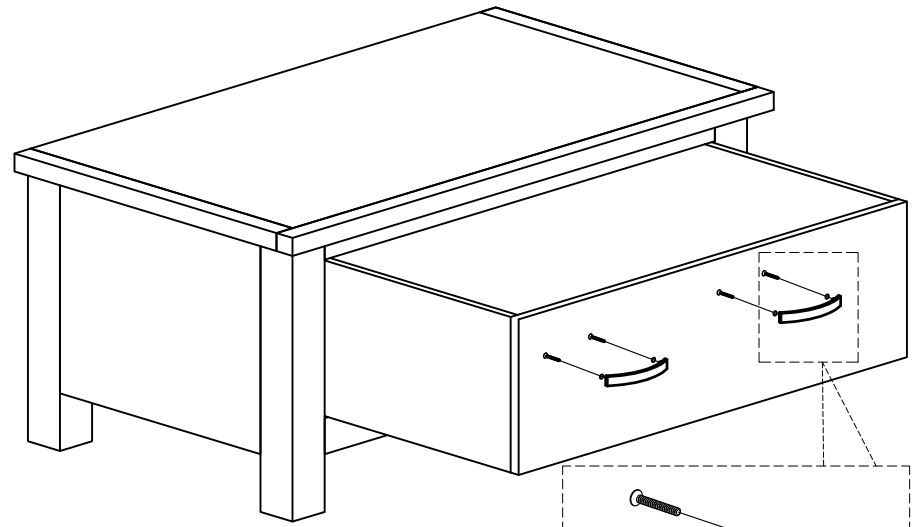
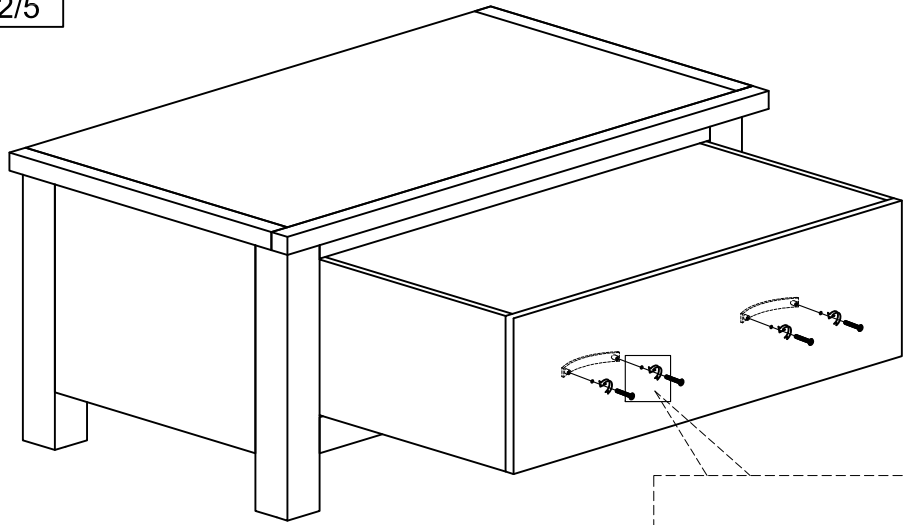


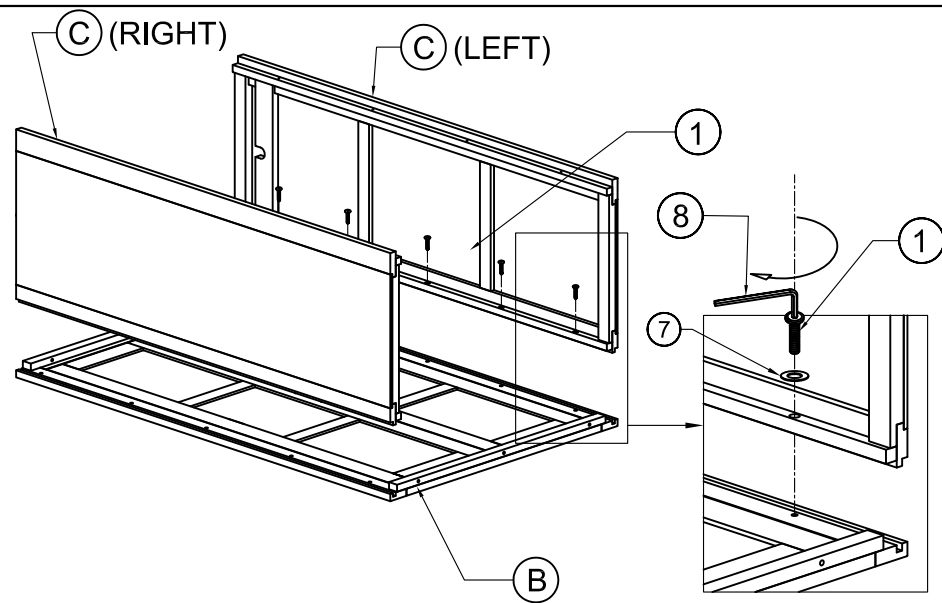
Ⓔ - TOP FRAME 1X



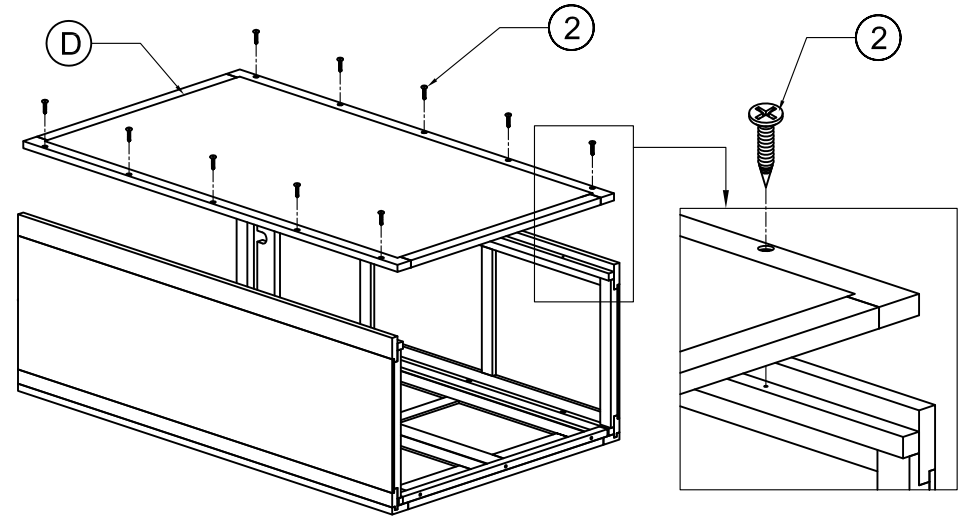
Ⓕ - HANGING RAIL 1X

STEP 1

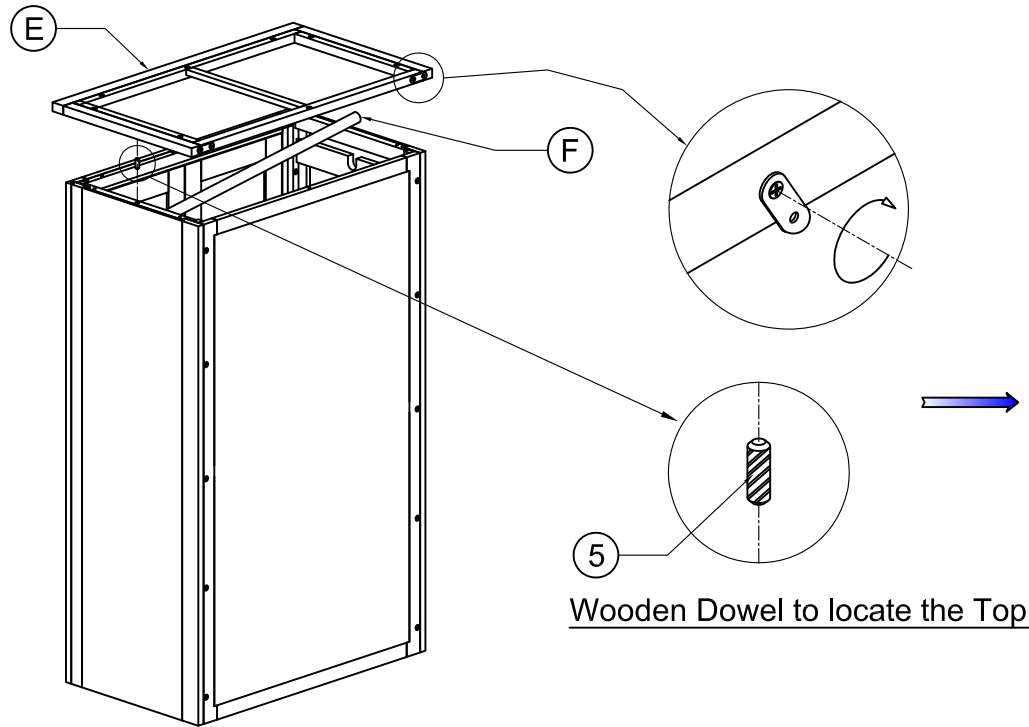




STEP 2

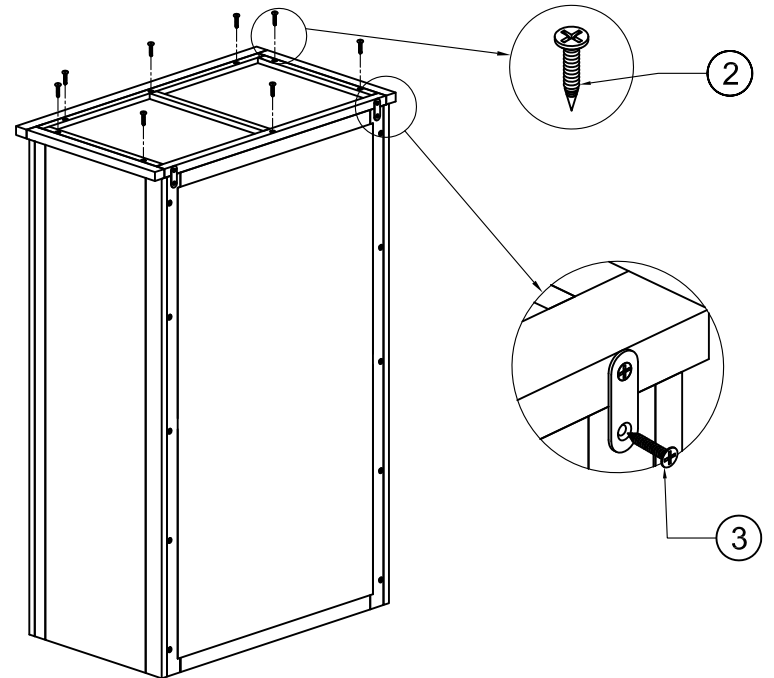


STEP 3

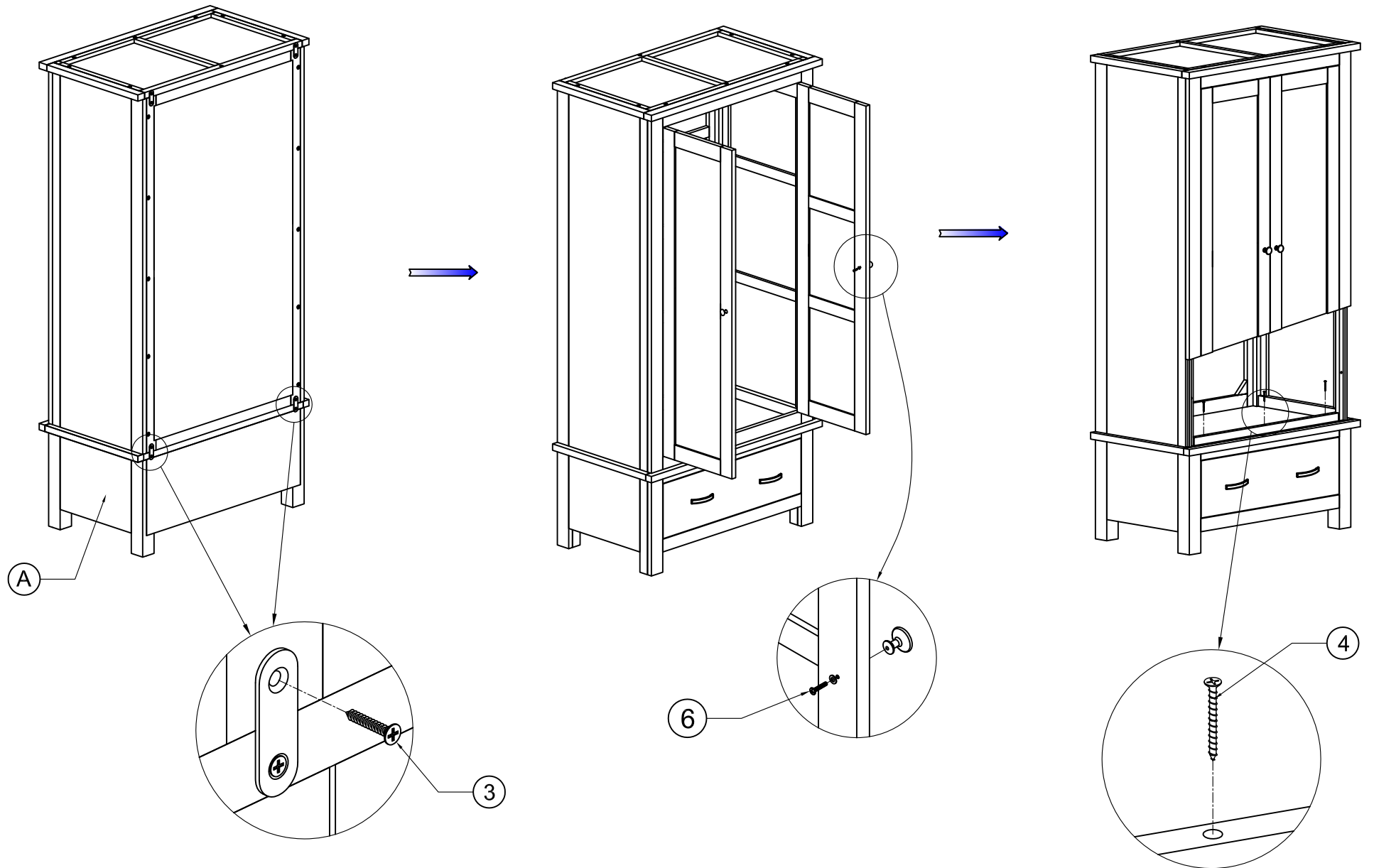


Wooden Dowel to locate the Top

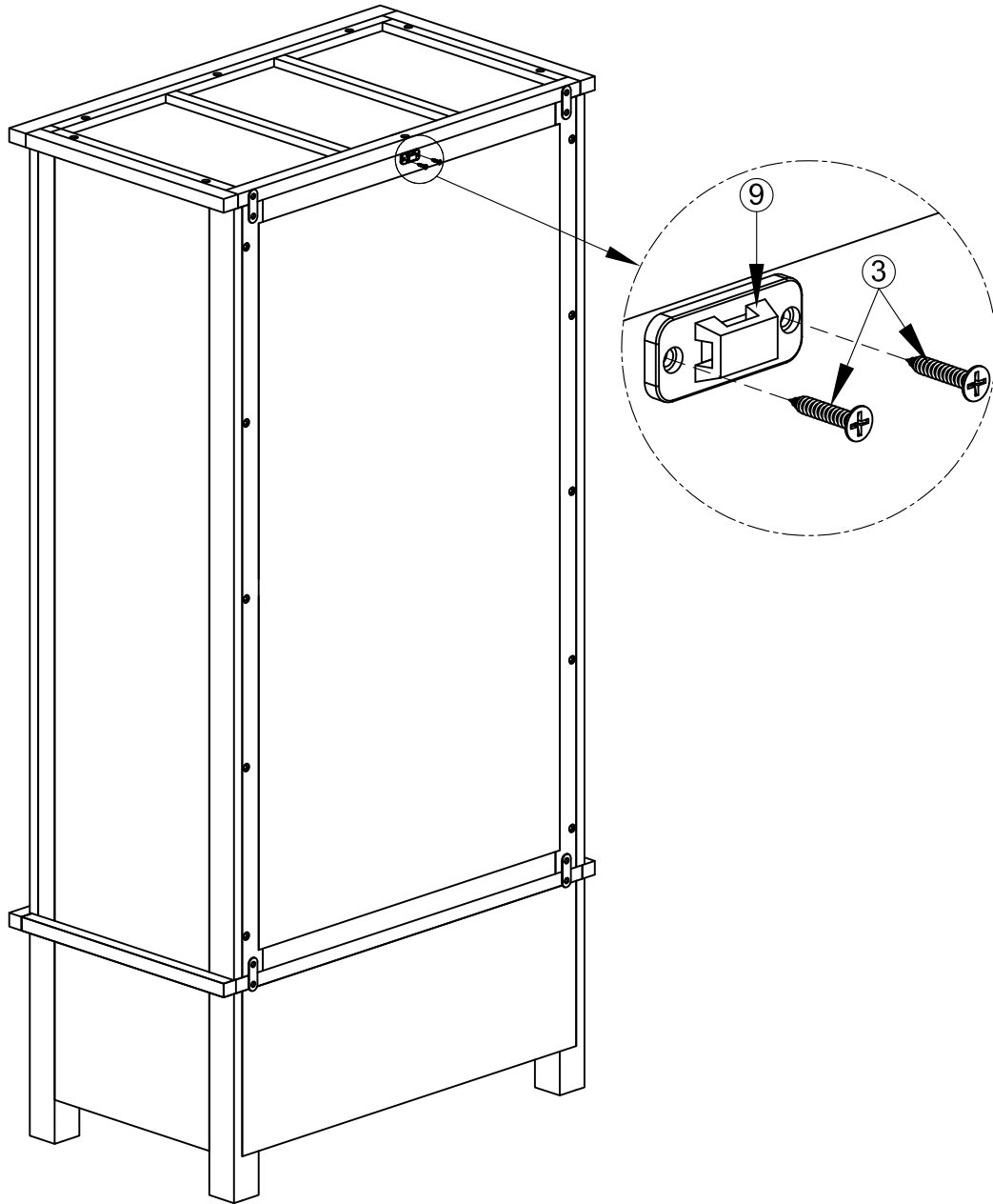
STEP 4



STEP 5



STEP 6



FINAL

