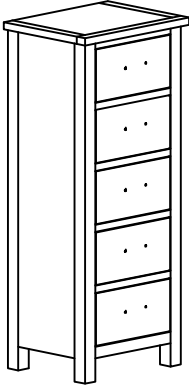





# ASSEMBLY INSTRUCTION

## G2623 - TALLBOY

| No | Name of Component                                                                 | Q.ty |
|----|-----------------------------------------------------------------------------------|------|
| A  |  | 1    |

| No | Name of Hardware                                                                                | Q.ty |
|----|-------------------------------------------------------------------------------------------------|------|
| 1  | Bracket        | 2    |
| 2  | Tie            | 1    |
| 3  | Screw Ø4 x 20  | 2    |

