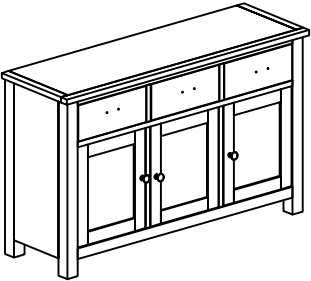



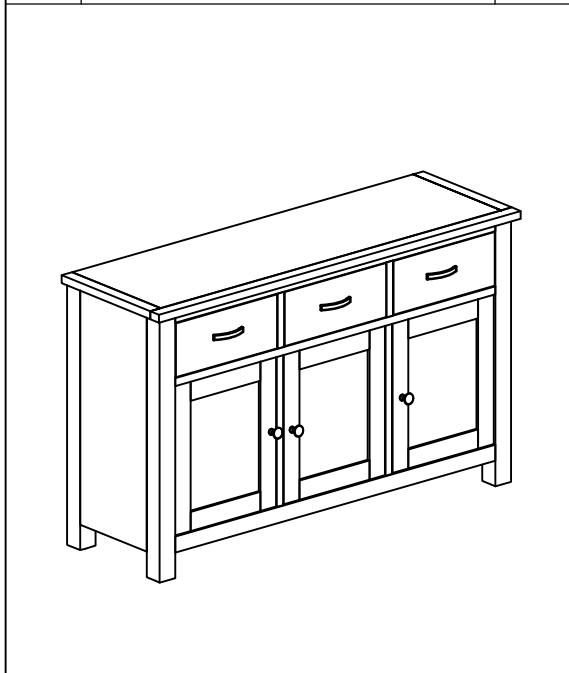


ASSEMBLY INSTRUCTION

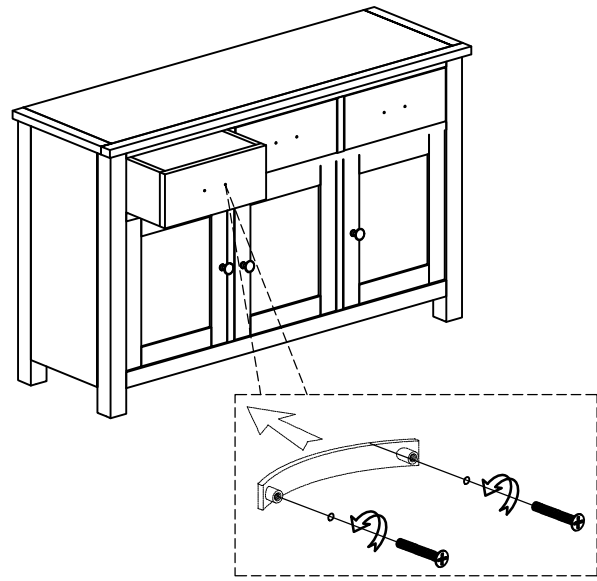
G2619 - 3 DOORS SIDEBOARD

No	Name of Component	Q.ty
A		1

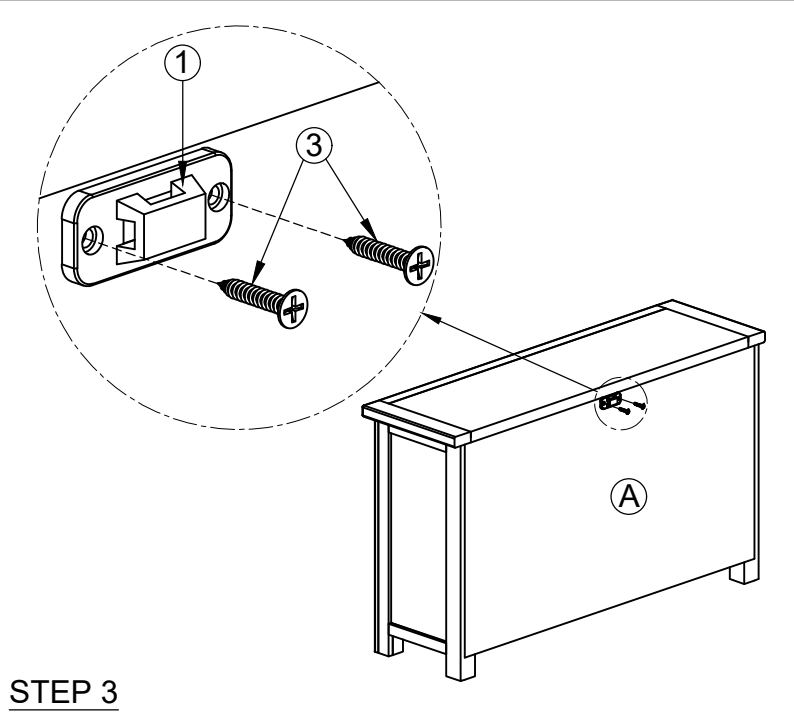
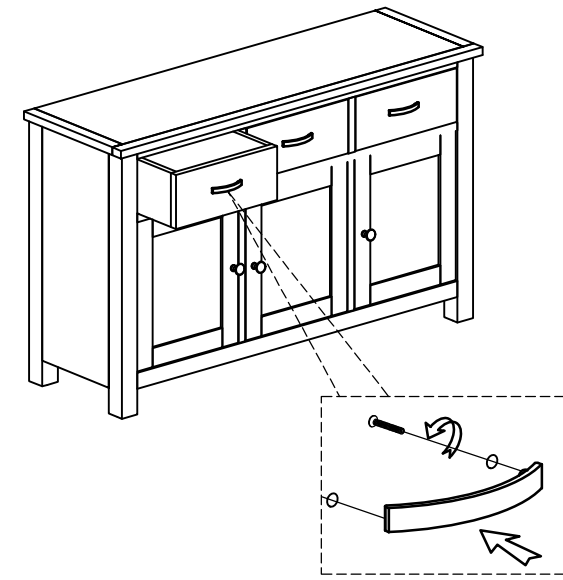
No	Name of Hardware	Q.ty
1	Bracket 	2
2	Tie 	1
3	Screw Ø4 x 20 	2



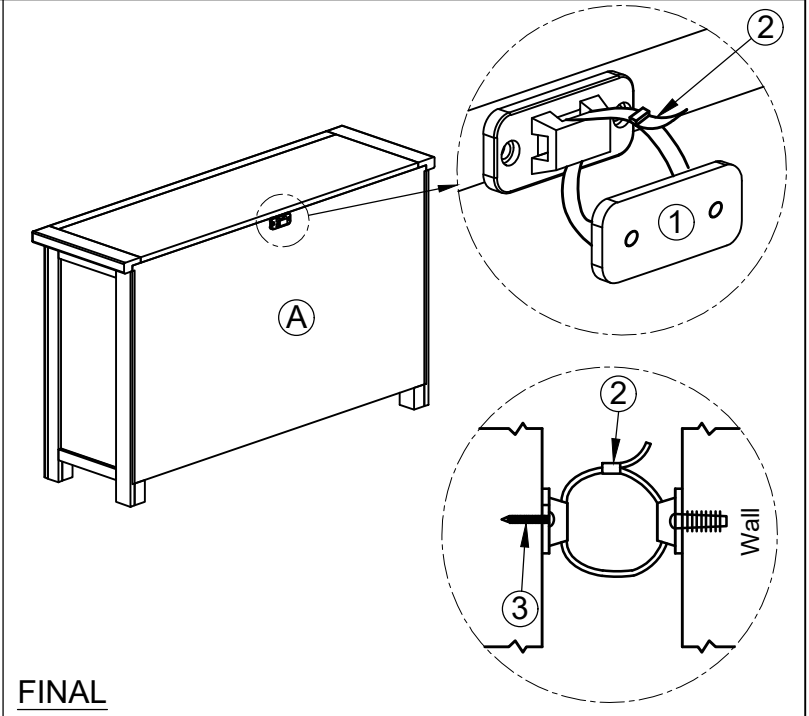
STEP 1



STEP 2



STEP 3



FINAL