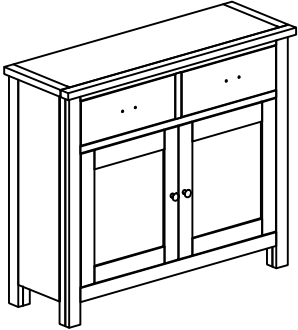
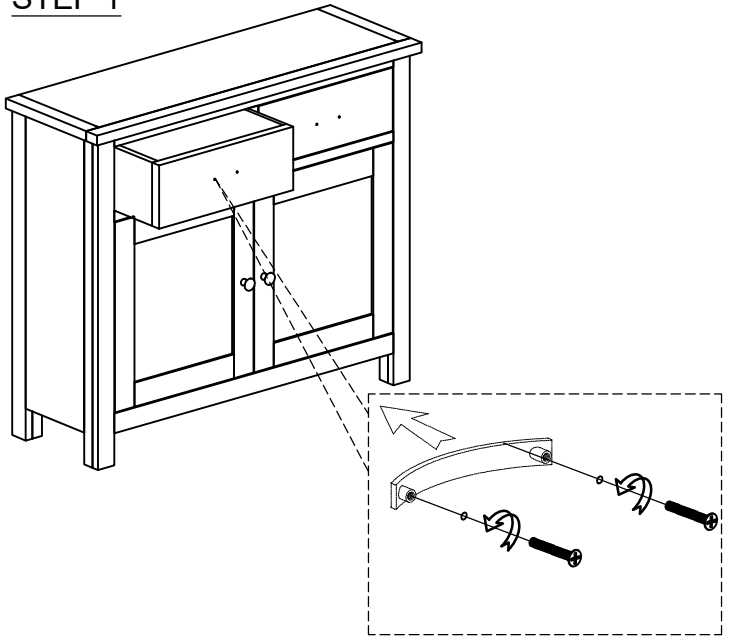


ASSEMBLY INSTRUCTION

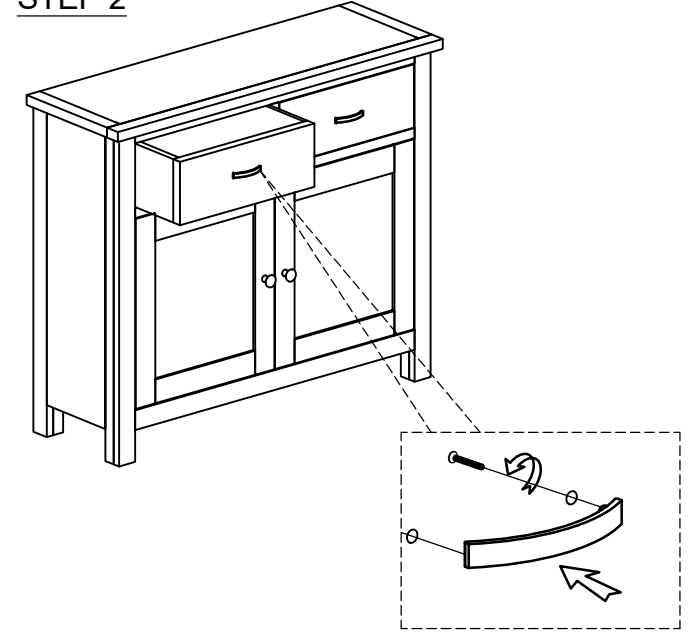
G2618 - 2 DOORS SIDEBOARD




No	Name of Component	Q.ty
A		1

STEP 1



STEP 2



No	Name of Hardware	Q.ty
1	Bracket 	2
2	Tie 	1
3	Screw Ø4 x 20 	2

