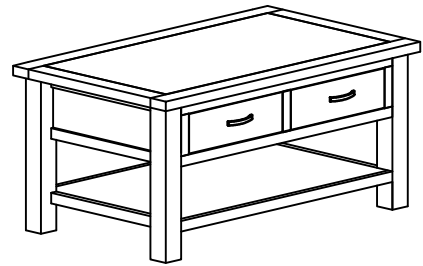
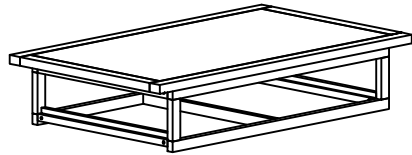


ASSEMBLY INSTRUCTION

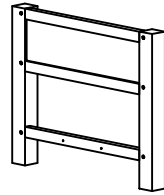
G2608 - COFFEE TABLE



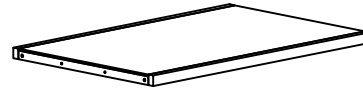
(A) - TOP 1X



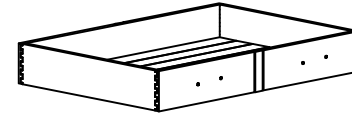
(B) - SIDE 2X



(C) - SHELF 1X

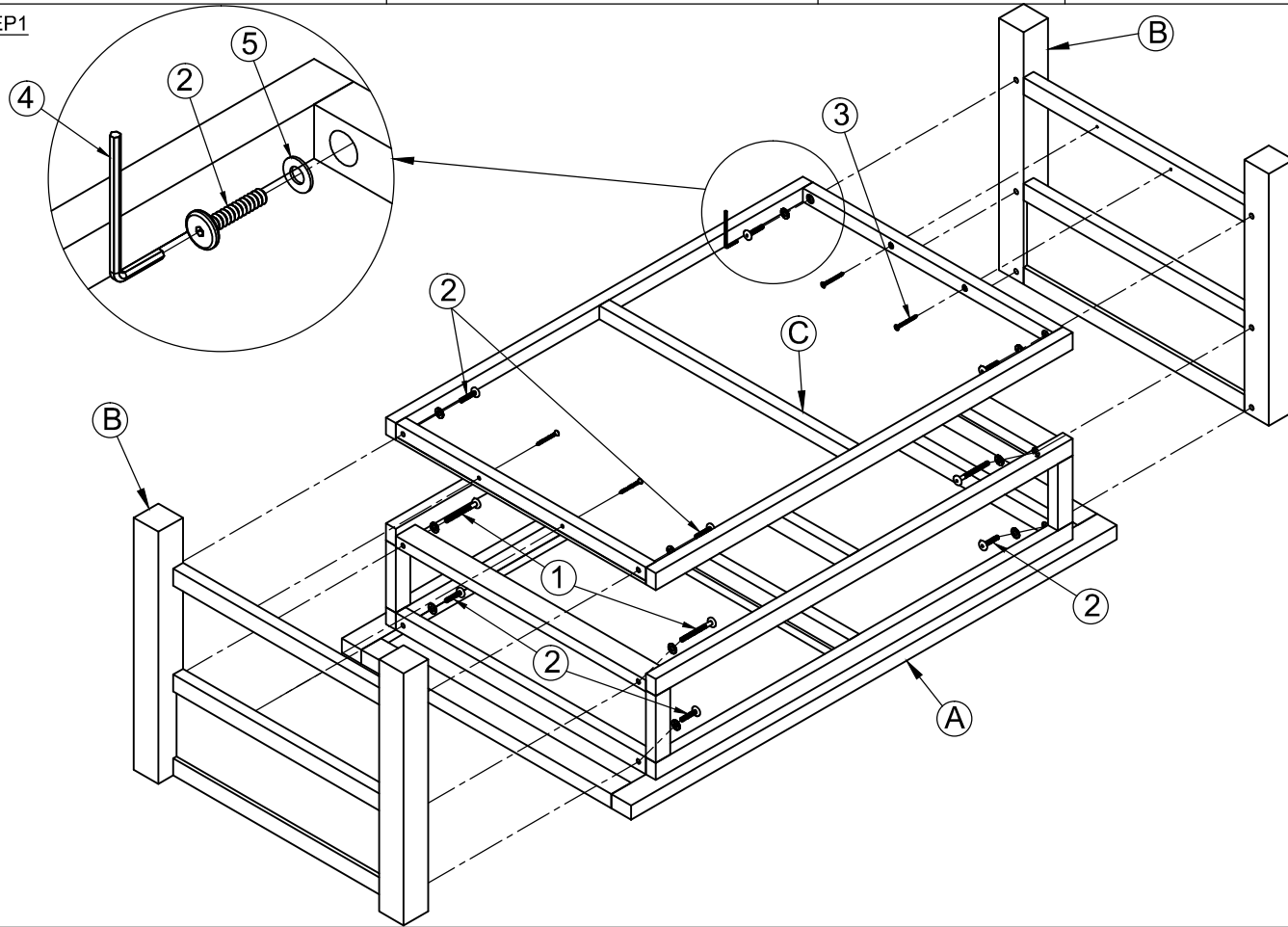


(D) - DRAWER 1X

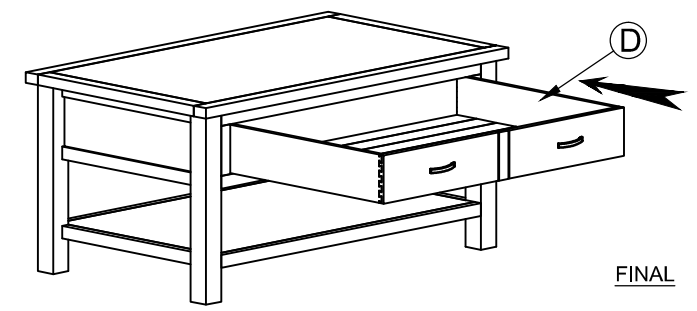
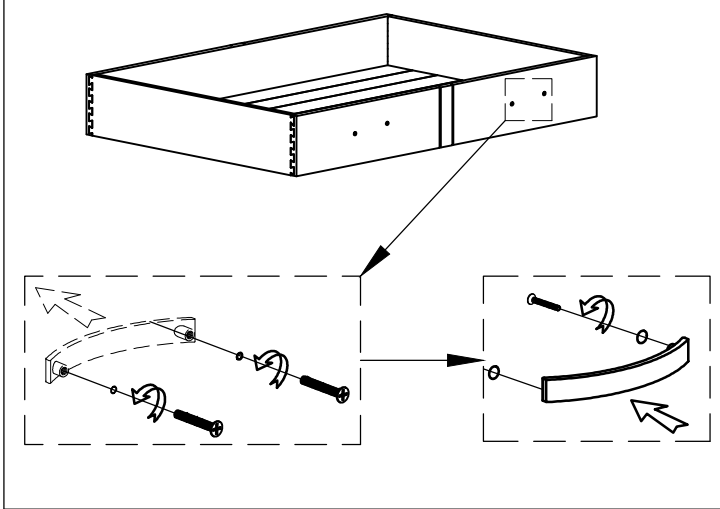


No	Hardware List	Fig	Q.TY (pcs)
①	Bolt M6 x 60		4
②	Bolt M6 x 40		8
③	Screw M4 x 25		4
④	Allen Key (K4)		1
⑤	Washer		12

STEP1



STEP2



FINAL