






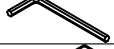


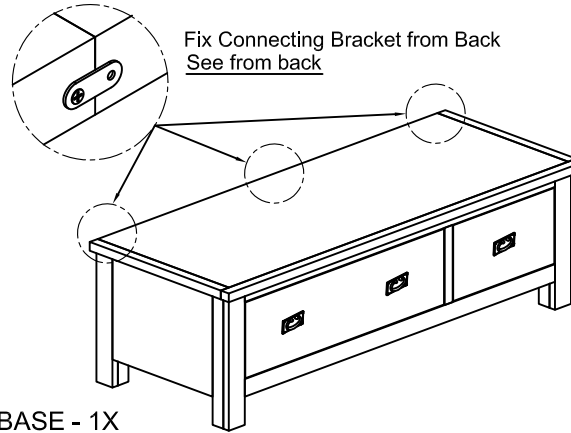
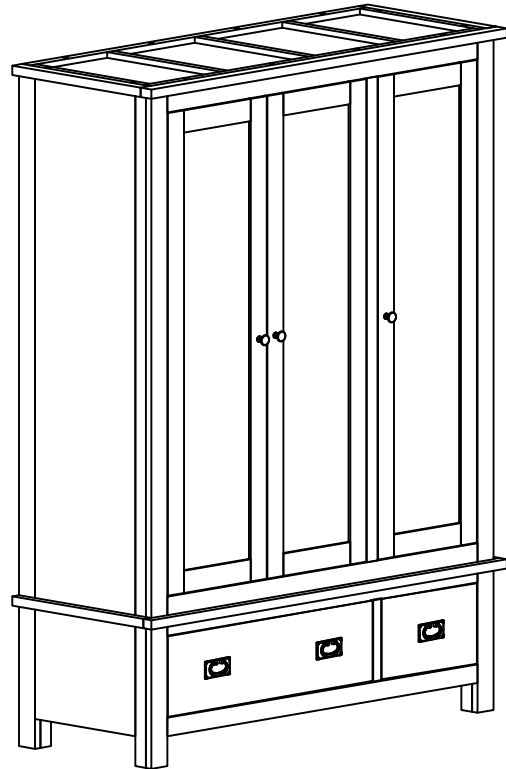
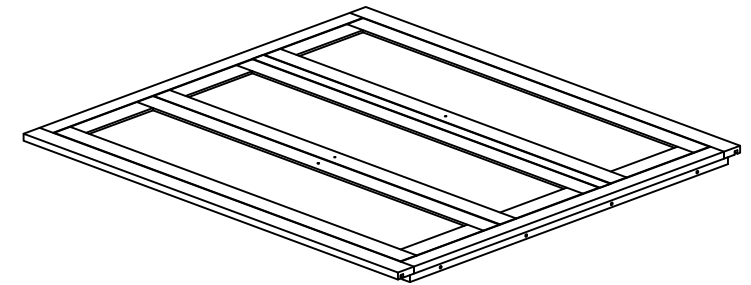


## ASSEMBLY INSTRUCTION TRIPLE WARDROBE

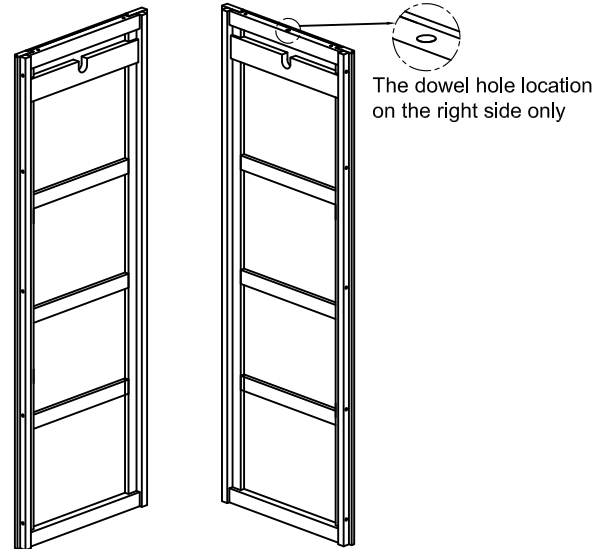
No.	LIST OF HARDWARE	FIG	Q.TY(pcs)
①	Bolt M6x35		10
②	Screw Ø4x35		22
③	Screw Ø4x20		7
④	Screw Ø4x45		4
⑤	Wooden Dowel Ø8x30		1
⑥	Handle with bolt		3 (set)
⑦	Flat Washer M6		10
⑧	Allen key K4		1
⑨	Bracket		2
⑩	Tie		1



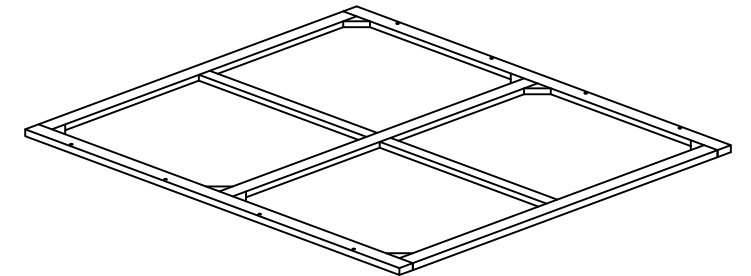
Ⓐ - BASE - 1X



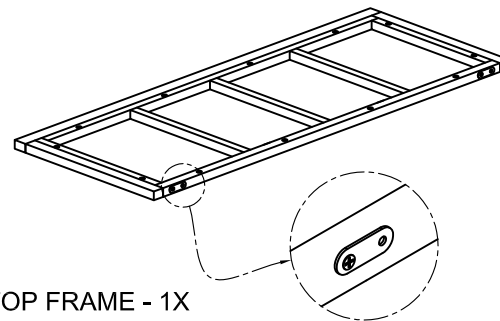
Ⓑ - FRONT FRAME WITH DOOR - 1X



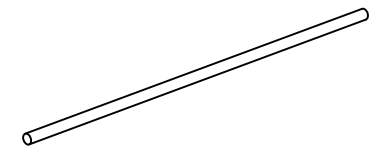
Ⓒ - RIGHT FRAME - 1X AND LEFT FRAME - 1X



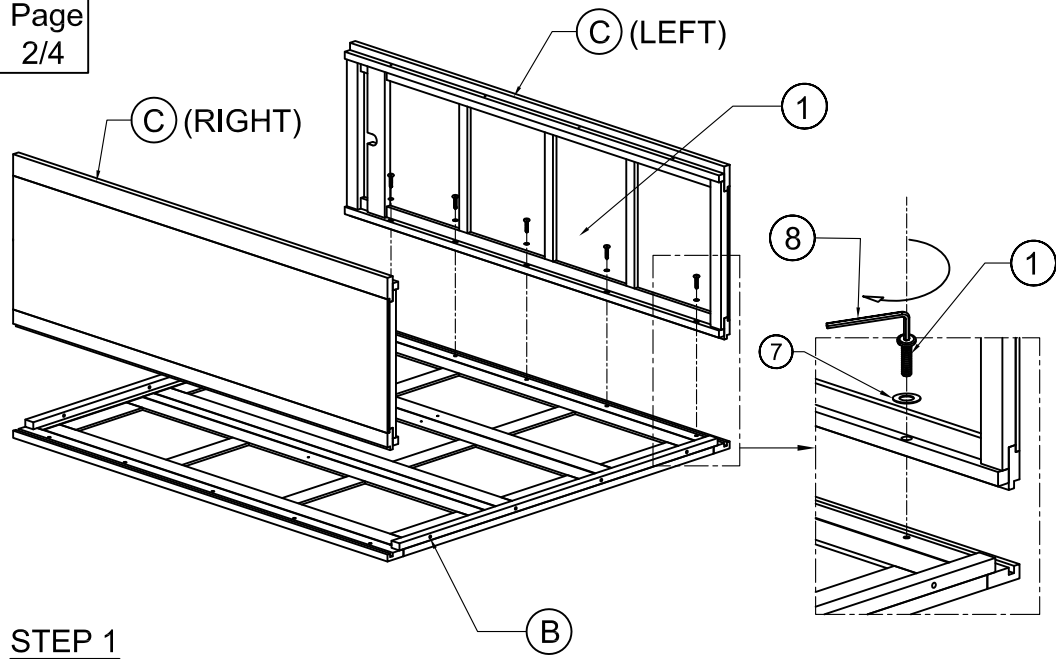
Ⓓ - BACK FRAME - 1X



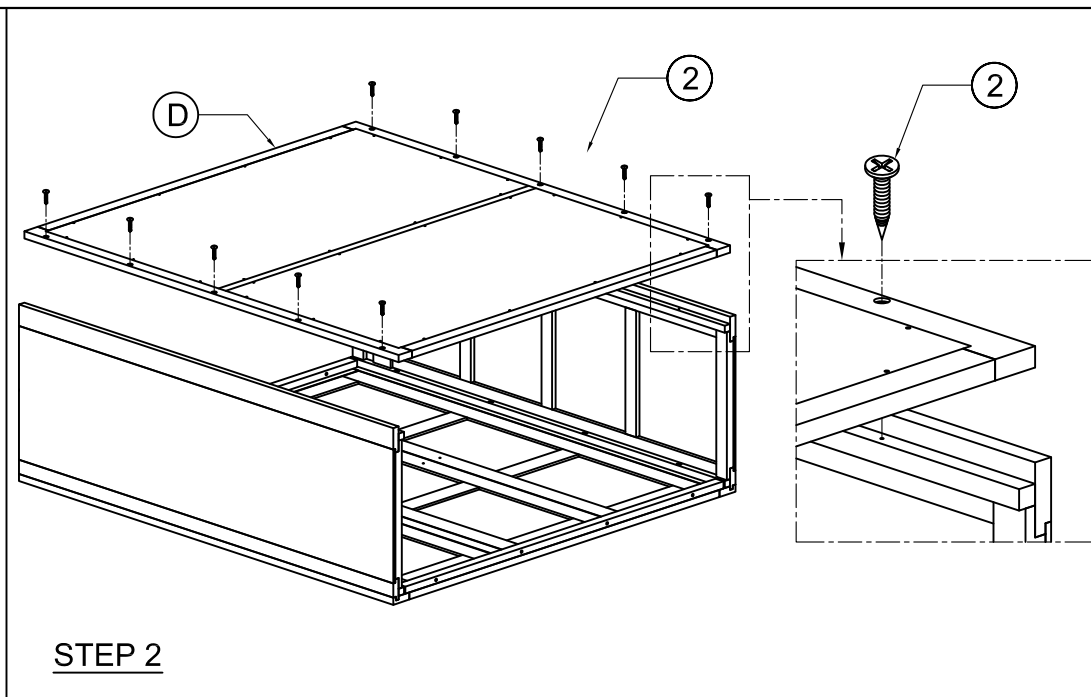
Ⓔ - TOP FRAME - 1X



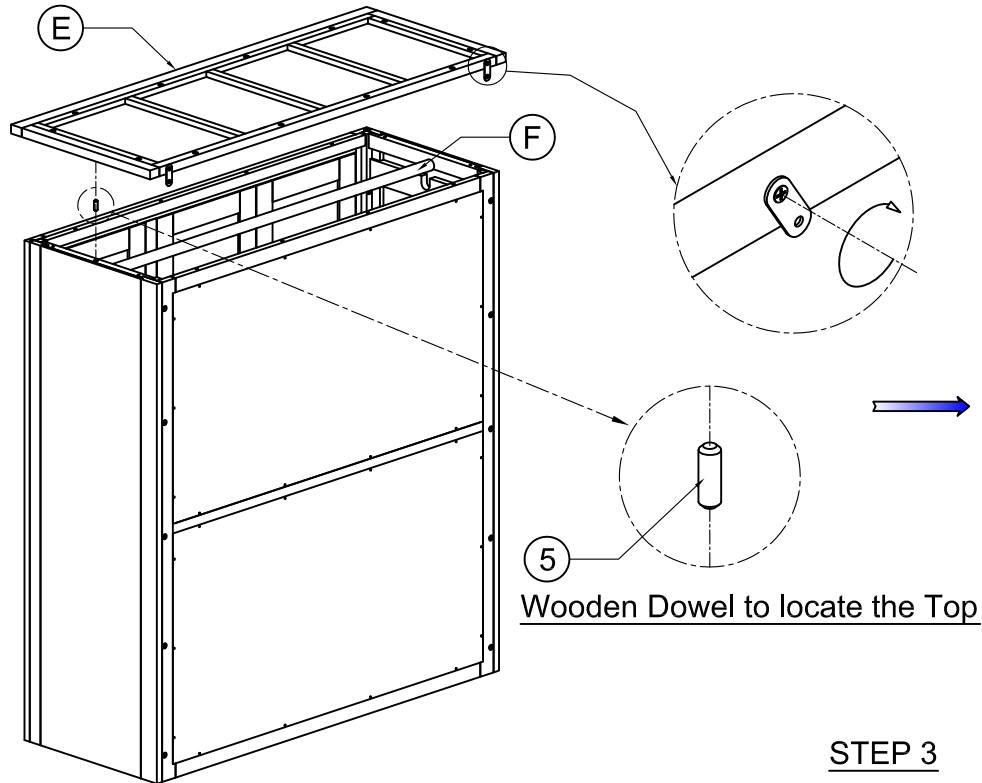
Ⓕ - HANGING RAIL - 1X



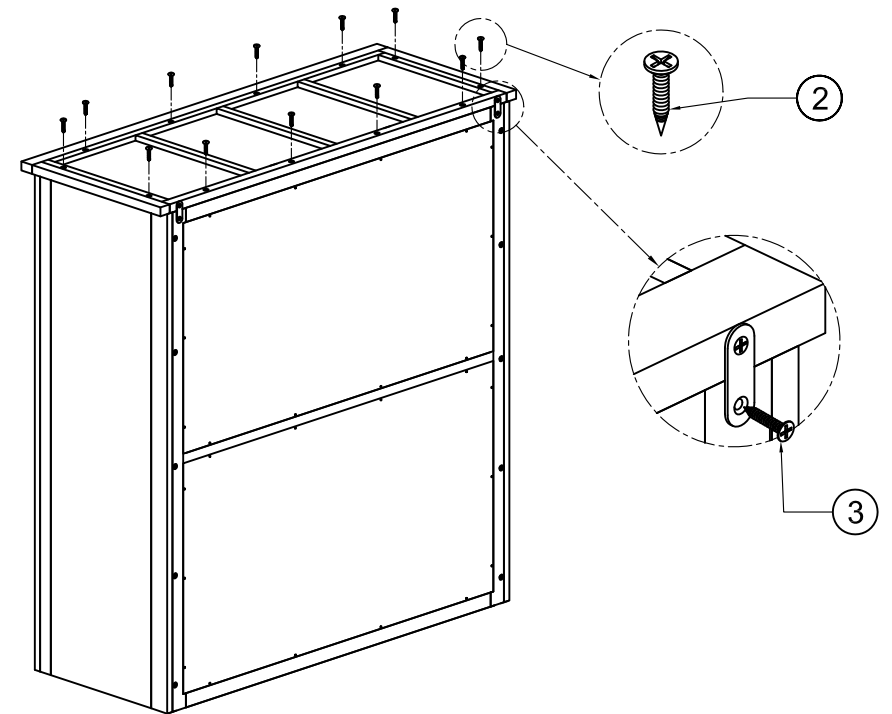
STEP 1



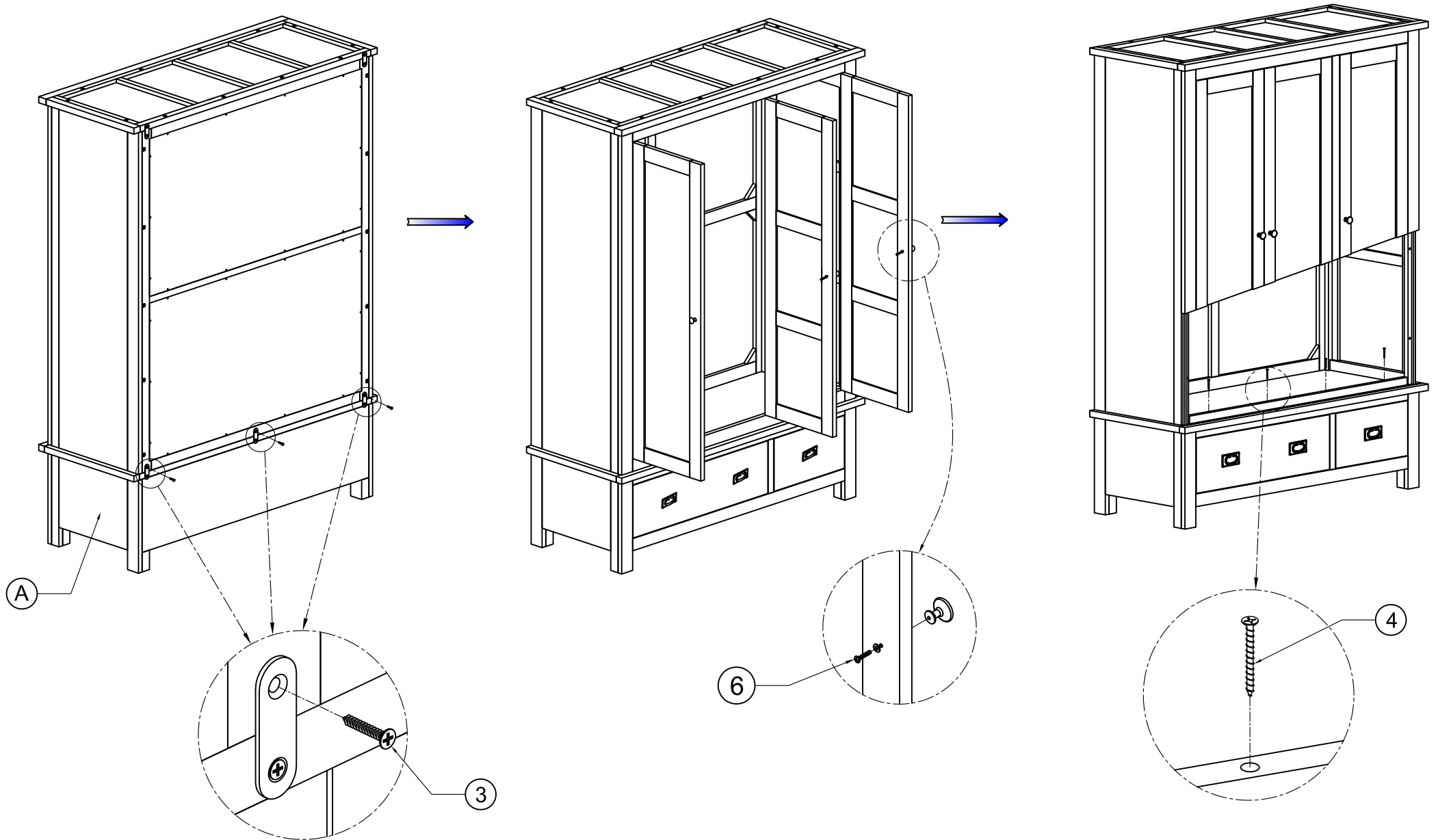
STEP 2



STEP 3



STEP 4



STEP 5

FINAL

