


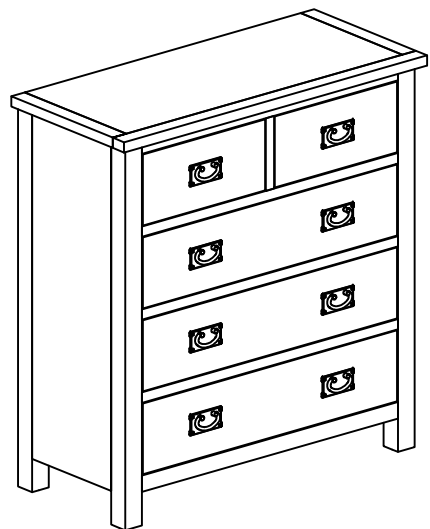


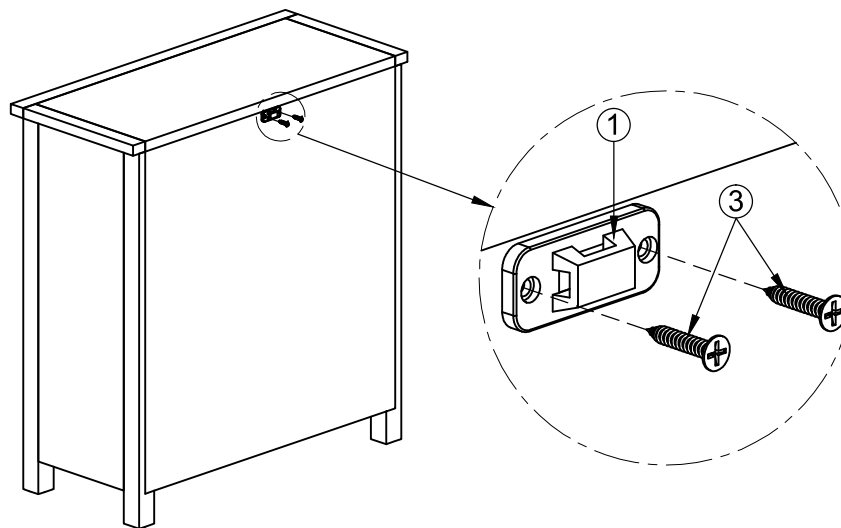
ASSEMBLY INSTRUCTION

G2599 - 2+3 CHEST OF DRAWERS

No	Name of Hardware	Q.ty
①	Bracket 	2
②	Tie 	1
③	Screw M4 x 20 	2



STEP 1



FINAL

