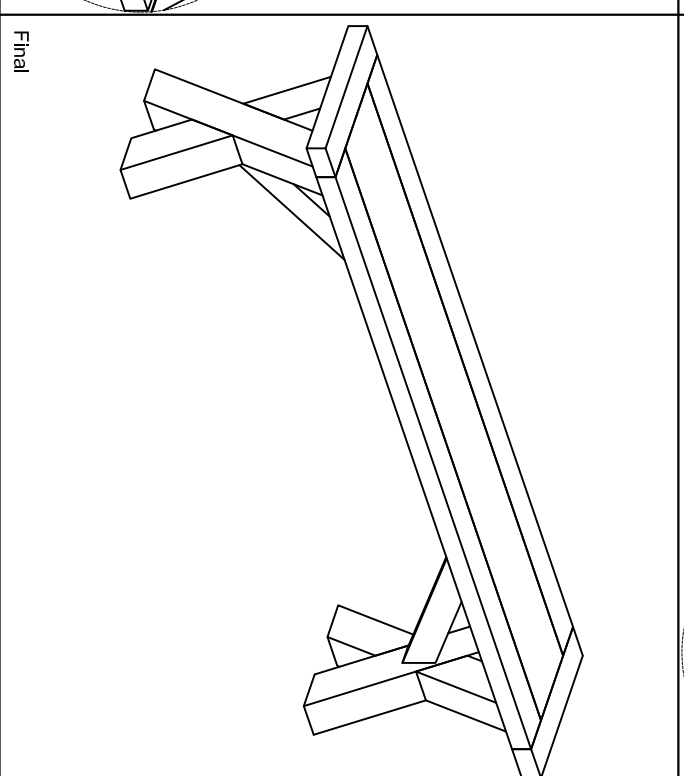
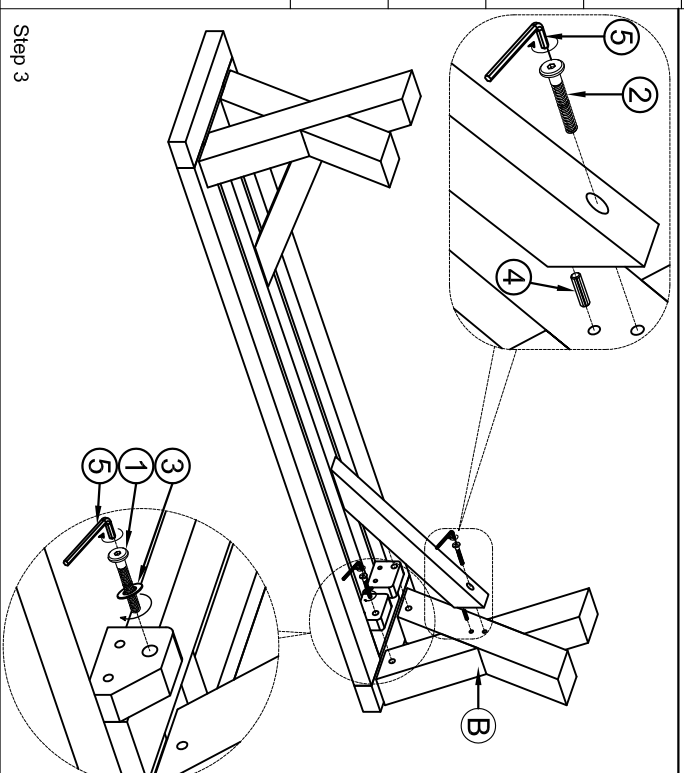
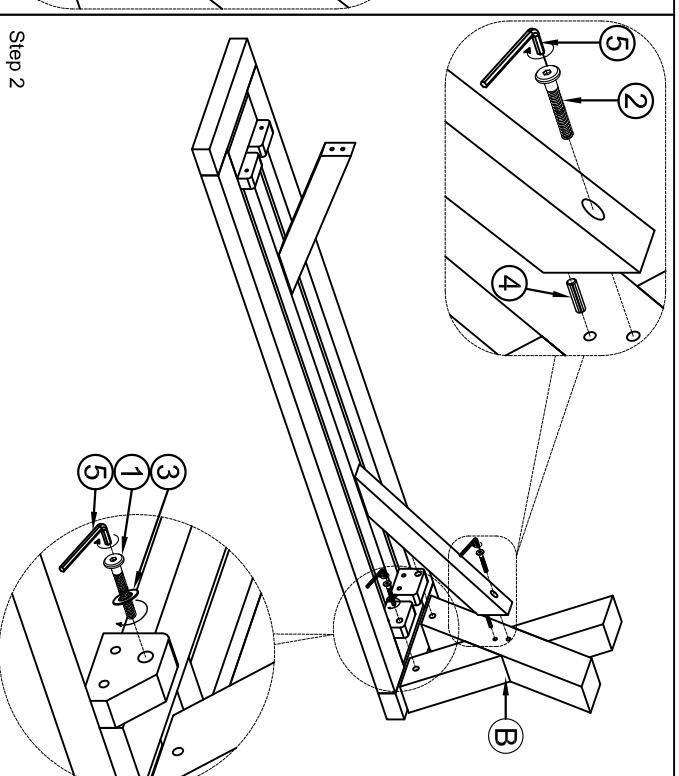
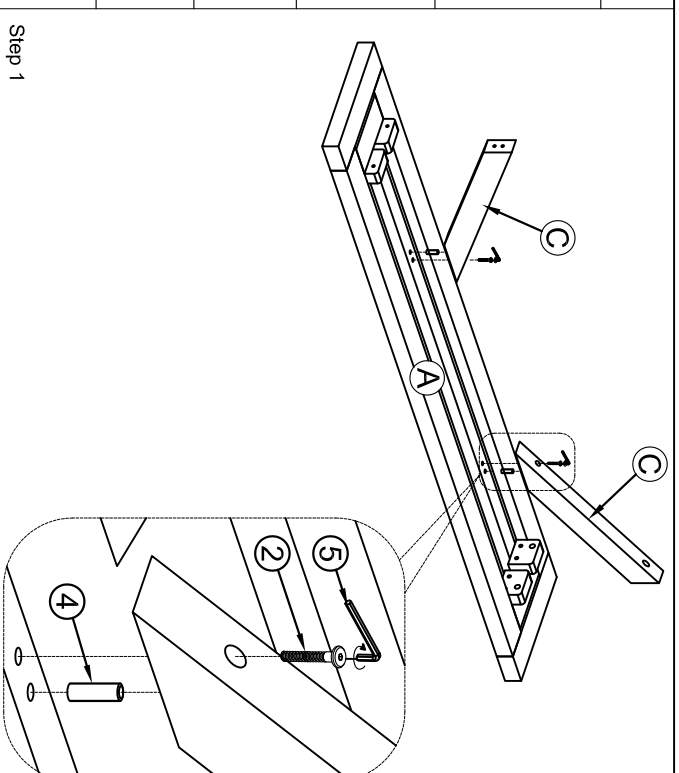


# ASSEMBLY INSTRUCTION LARGE BENCH

No	Name of Component	Qty
A	Top frame	1
B	Leg frame	2
C	Support bar	2
No	Name of Hardware	Qty
1	Bolt M8 x 60	4
2	Bolt M8 x 50	4
3	Washer Ø18/Ø9 x 2	4
4	Wood Dowel Ø10 x 40	4
5	Allen key K4	1



Step 3

Step 1

Step 2

Final