



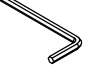


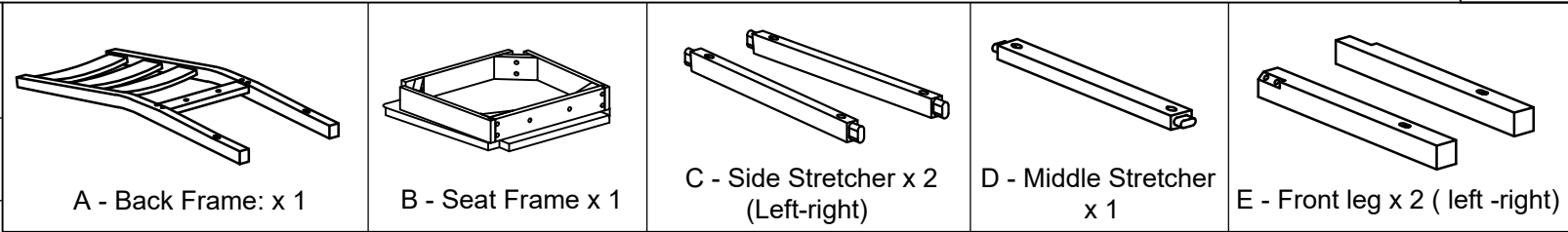


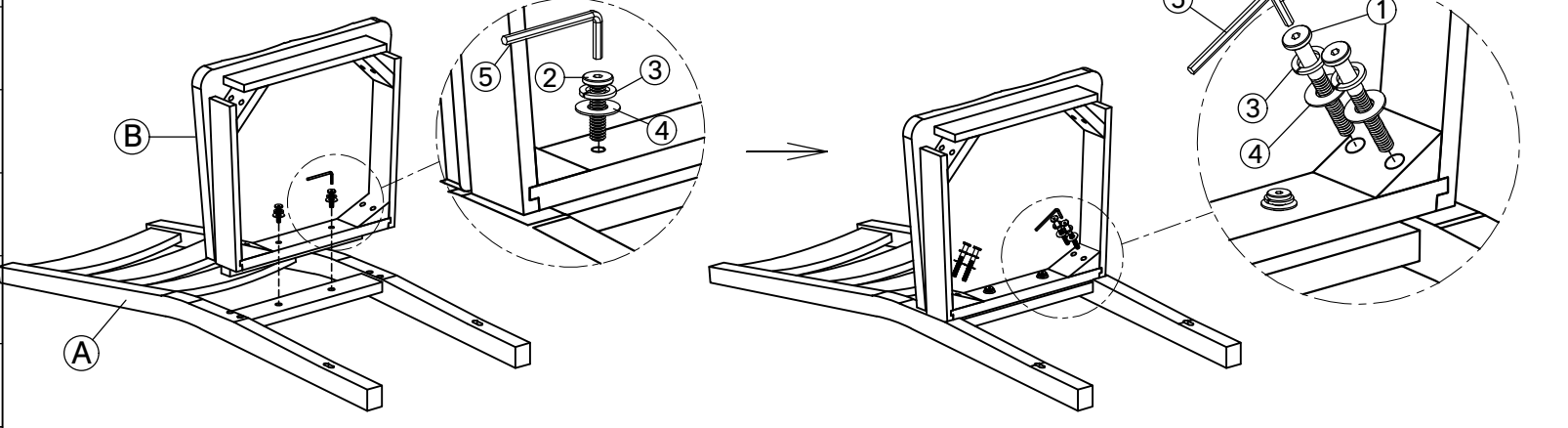
# ASSEMBLY INSTRUCTION


## G2143KD-SLATTED CHAIR WITH WOODEN SEAT - KD

No	Name of Hardware	Q.ty
①	Bolts M6 x 70 	8
②	Bolts M8 x 35 	2
③	Spring Washer Ø9/Ø11 	10
④	Washer Ø9/Ø18x 1 	10
⑤	Allen key (K4) 	1
⑥	Round head Screws Ø4 x 50 	4
⑦	Round head Screws Ø4 x 30 	2

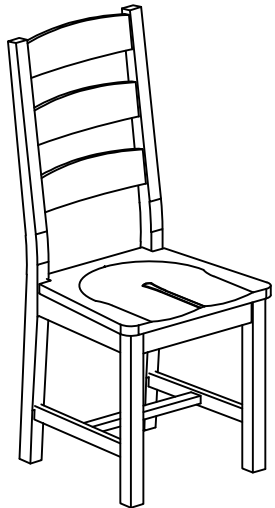
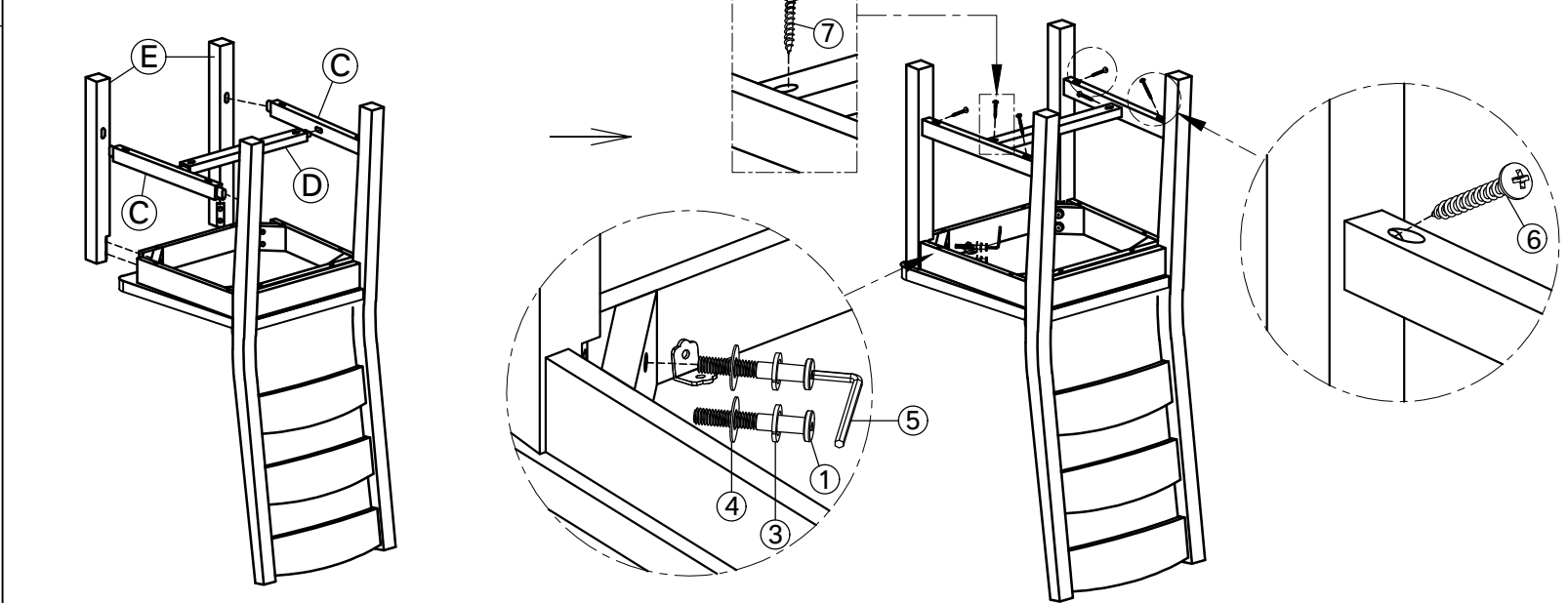


**STEP 1:** Please don't tighten bolts fully in this step.



Screwdriver (not included) 

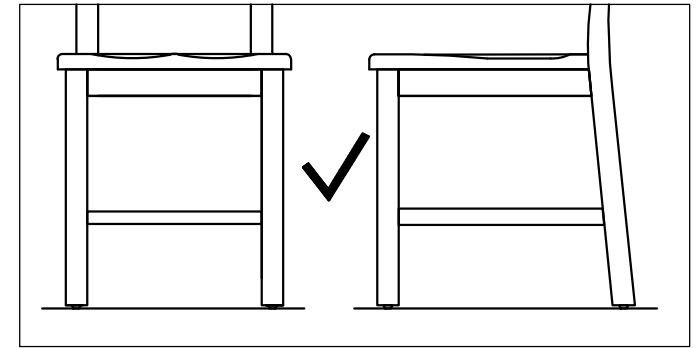
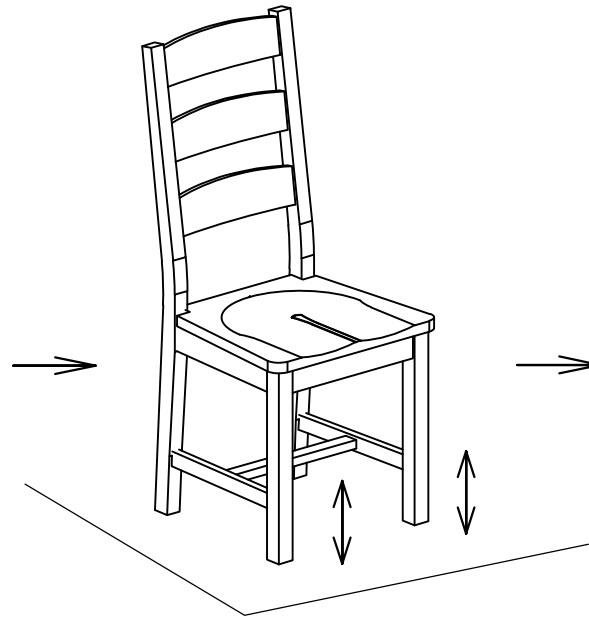
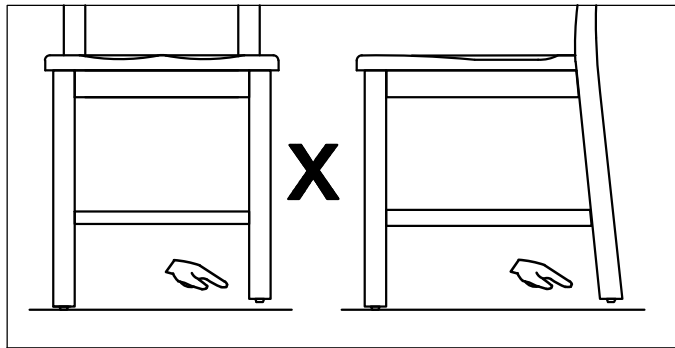
**STEP 2:** Please don't tighten bolts and screws fully in this step.



# ASSEMBLY INSTRUCTION

## G2143KD-SLATTED CHAIR WITH WOODEN SEAT - KD

**STEP 3:** Check all legs are in the same level, as shown,  
then tighten all bolts and screws fully.



**FINAL**

