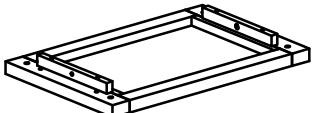
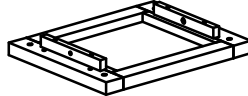
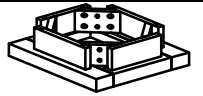
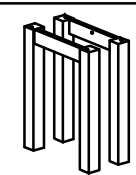
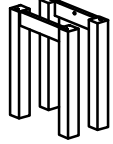
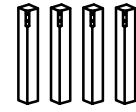






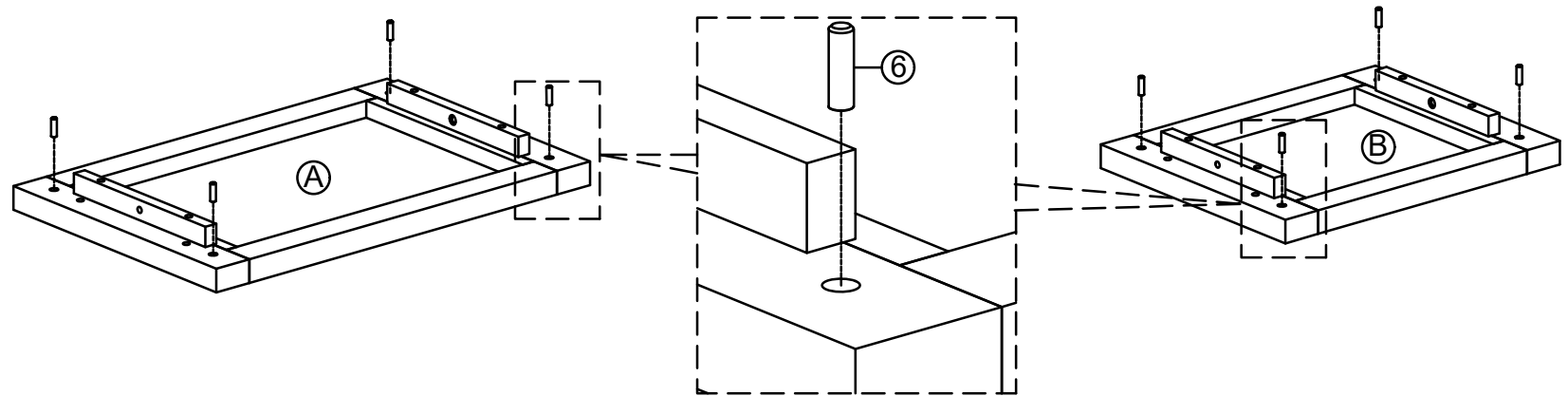


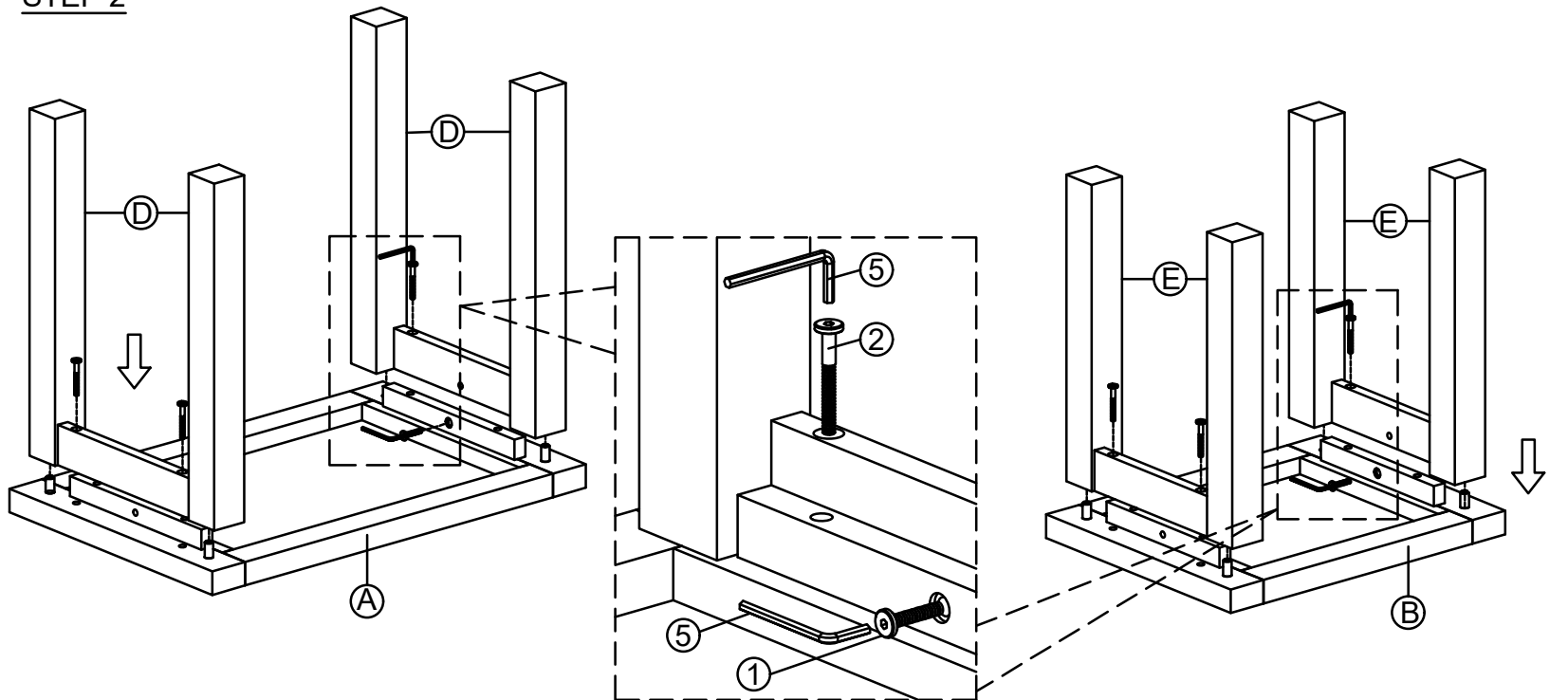
ASSEMBLY INSTRUCTION NEST OF TABLE SET

No	Name of Component	Q.ty
Ⓐ	 Large Frame	1
Ⓑ	 Medium Frame	1
Ⓒ	 Small Frame	1
Ⓓ	 Long Legs	2
Ⓔ	 Medium Legs	2
Ⓕ	 Short Legs	4
No	Name of Hardware	Q.ty
①	 Bolts M6x30	4
②	 Bolts M6x60	16
③	 Spring Washers	8
④	 Flat Washers	8
⑤	 Allen key K4	1
⑥	 Wooden dowels	8

STEP 1

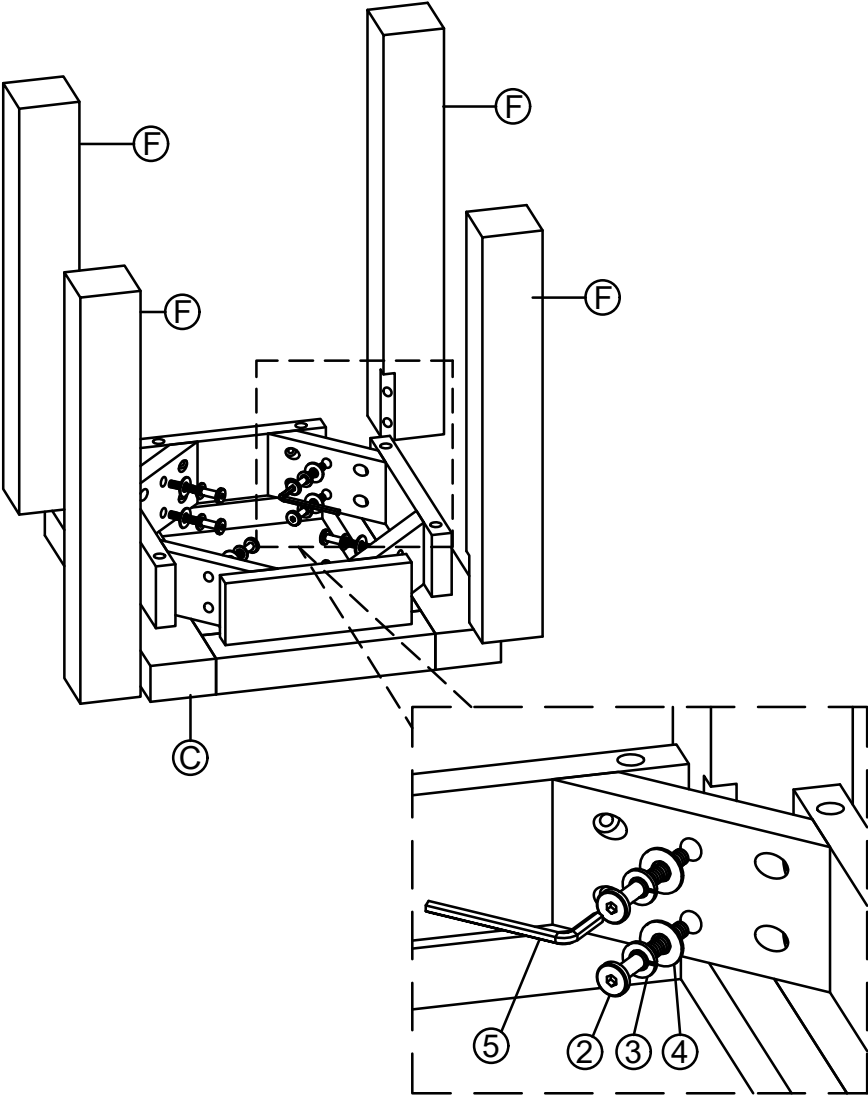


STEP 2



ASSEMBLY INSTRUCTION NEST OF TABLE SET

STEP 3



FINAL

