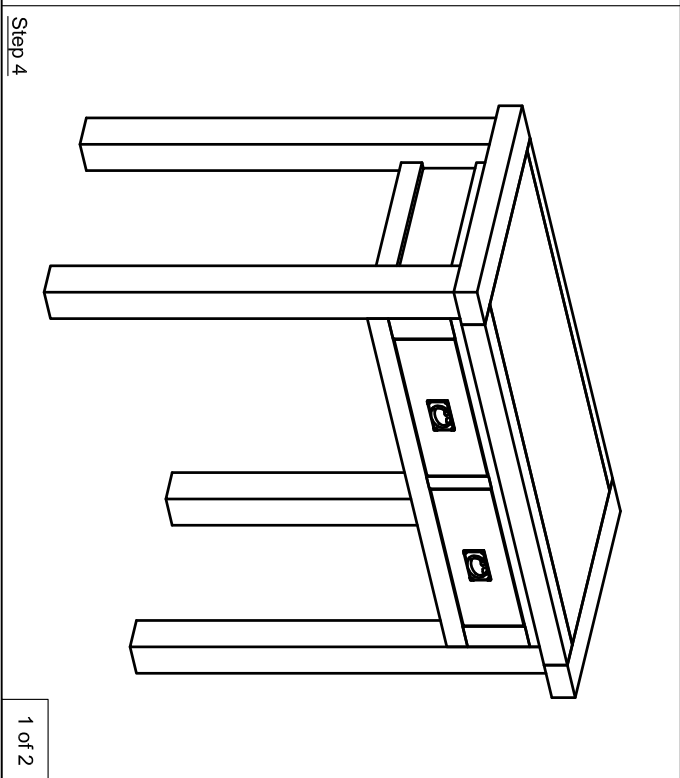
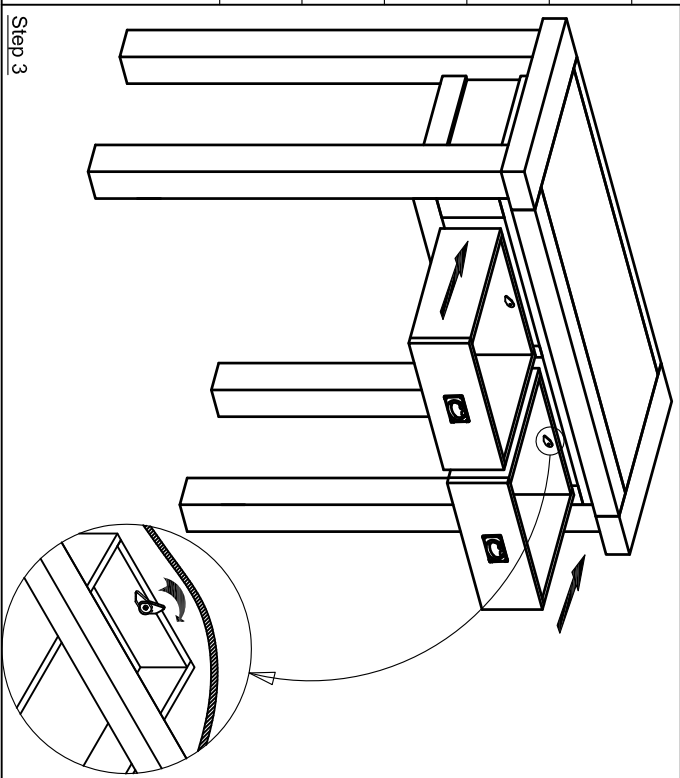
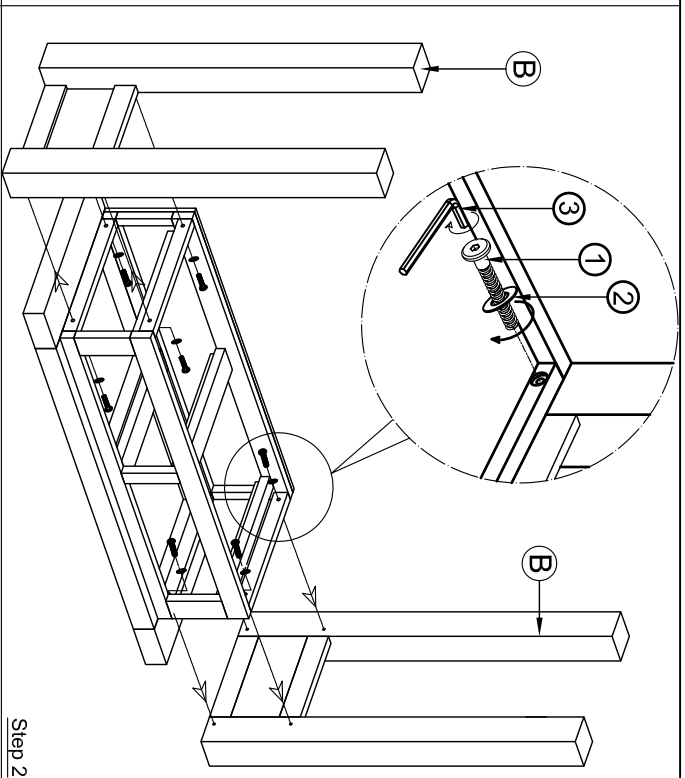
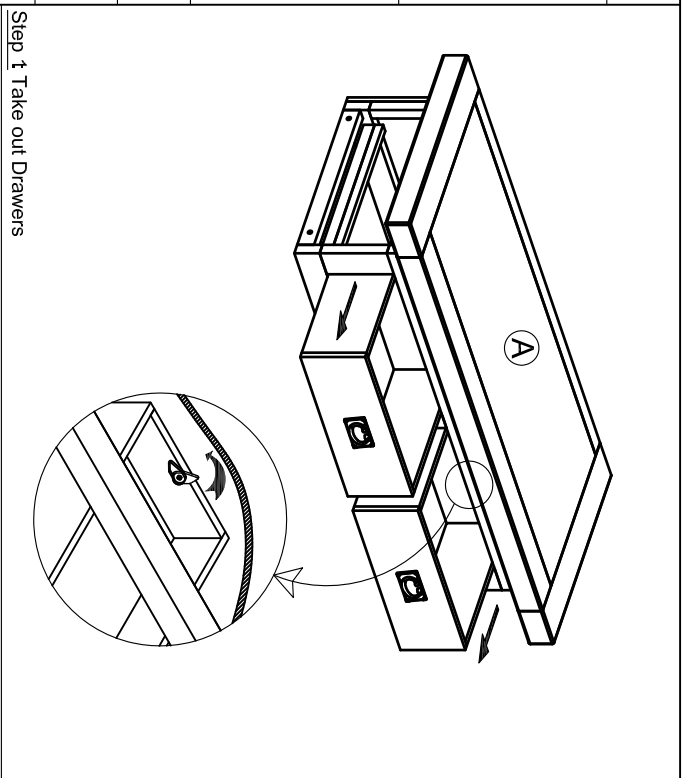
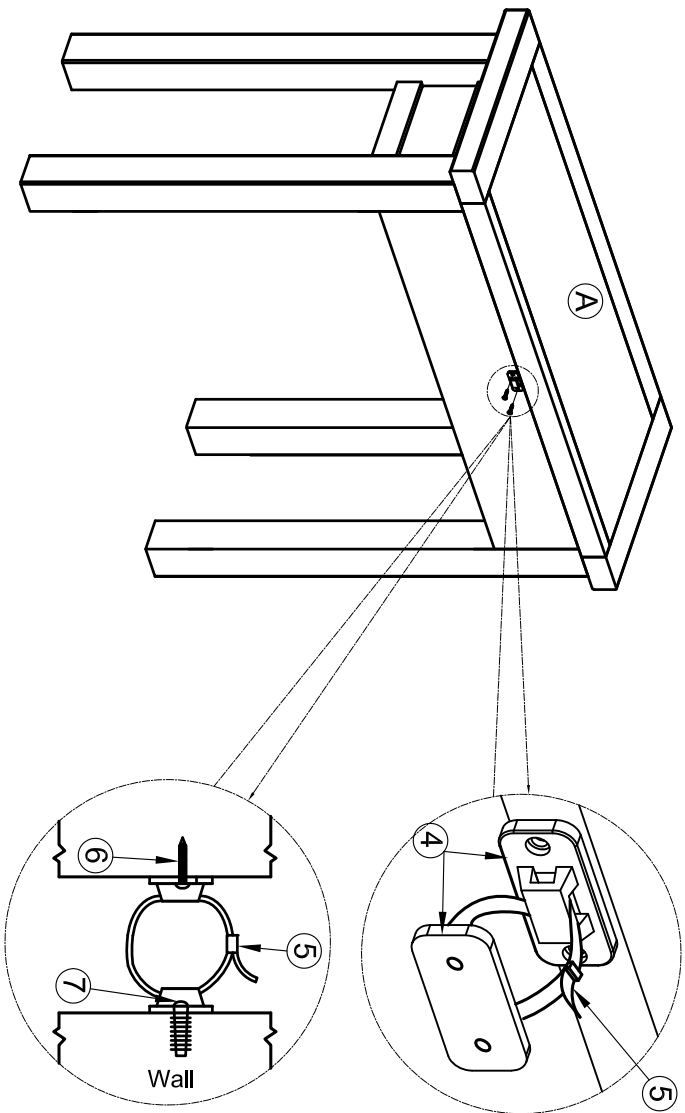
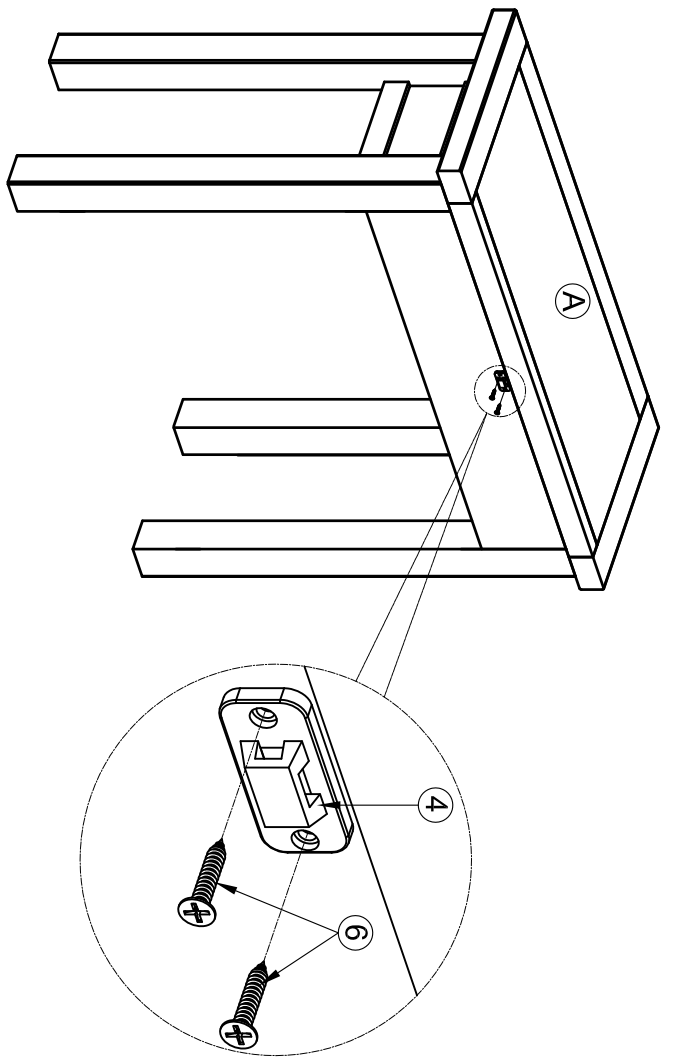


# ASSEMBLY INSTRUCTION DRESSING TABLE

No	Name of Component	Qty
(A)	Table top frame	1
(B)	Leg	2
No	Name of Hardware	Qty
(1)	Bolt M6 x 40	8
(2)	Washer $\varnothing 7/\varnothing 15 \times 1$	8
(3)	Allen key (K4)	1
(4)	Bracket	2
(5)	Tie	1
(6)	Screw M4 x 20	2
(7)	Screw M4 x 35	2



Step 5



FINAL