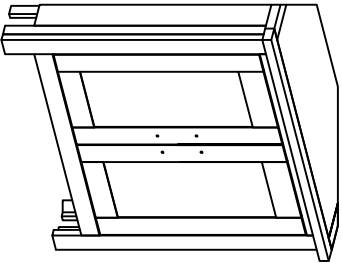
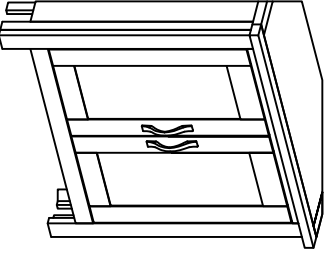


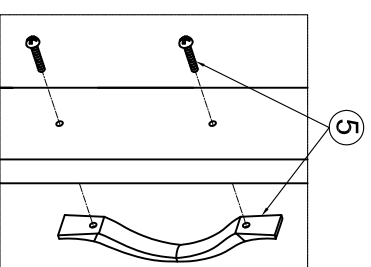
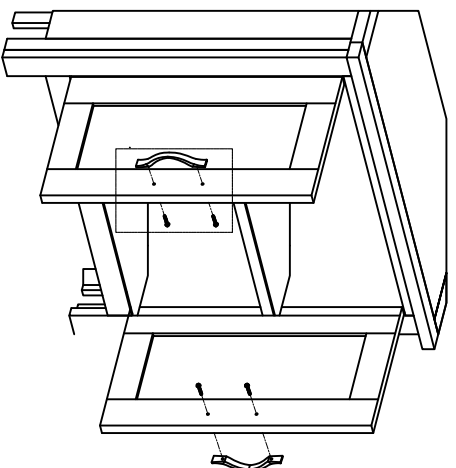
ASSEMBLY INSTRUCTION

Corner Cupboard

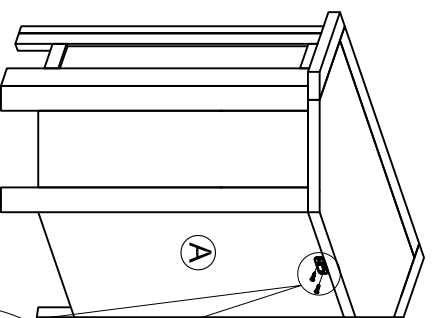
| No | Name of Component | Q.ty |
|----|--------------------------------------------------------------------------------------------------------|------|
| A |  Corner Cupboard | 1 |

| No | Name of Hardware | Q.ty |
|----|----------------------------------------------------------------------------------------------------|---------|
| 1 |  Bracket | 2 |
| 2 |  Tie | 1 |
| 3 |  Screw M4 x 20 | 2 |
| 4 |  Screw M4 x 35 | 2 |
| 5 |  Handle | 2 (Set) |

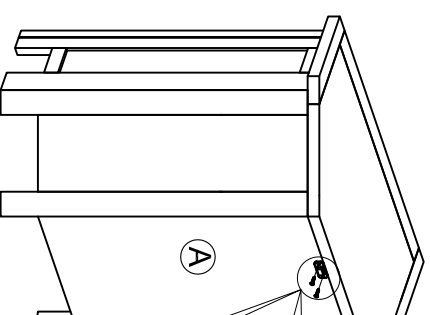
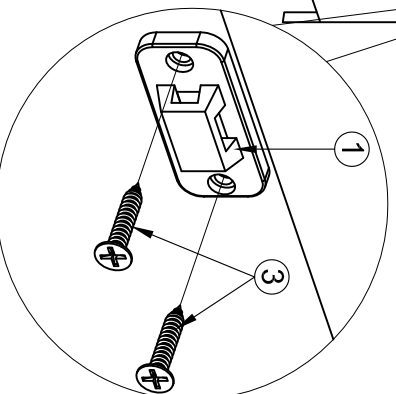
| | | |
|---|-----------------------------------------------------------------------------------------------------|---|
| A |  Corner Cupboard | 1 |
|---|-----------------------------------------------------------------------------------------------------|---|



STEP 1



STEP 2



FINAL

