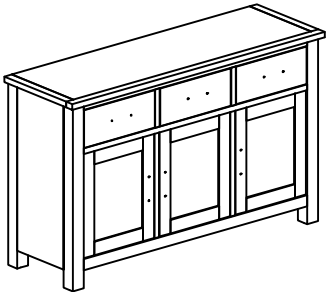
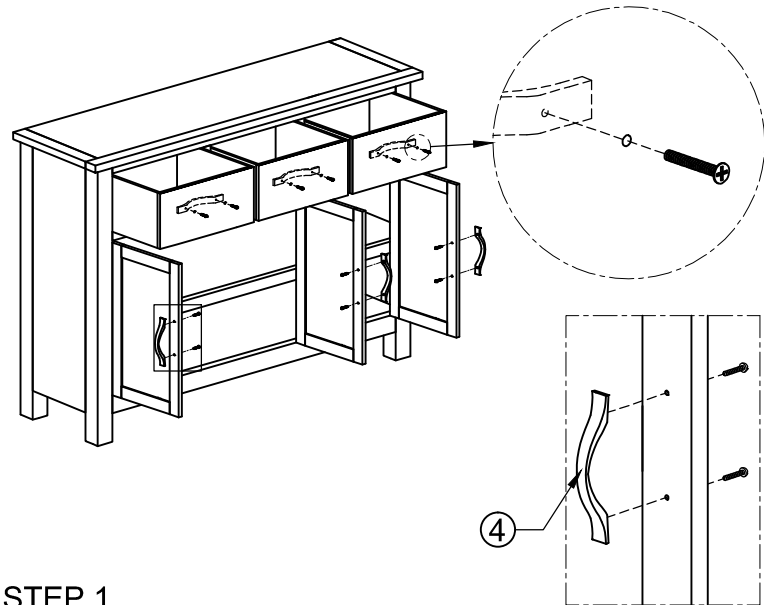






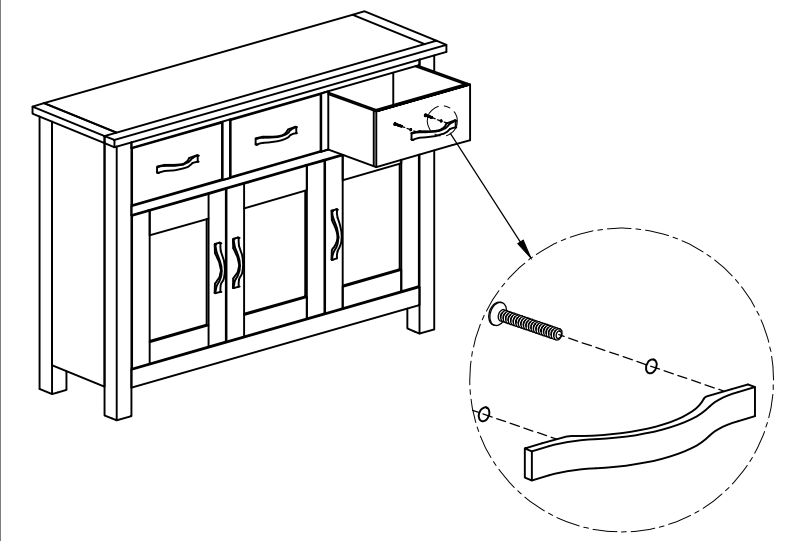
ASSEMBLY INSTRUCTION G1996 - LARGE SIDEBOARD

No	Name of Component	Q.ty
A		1



STEP 1

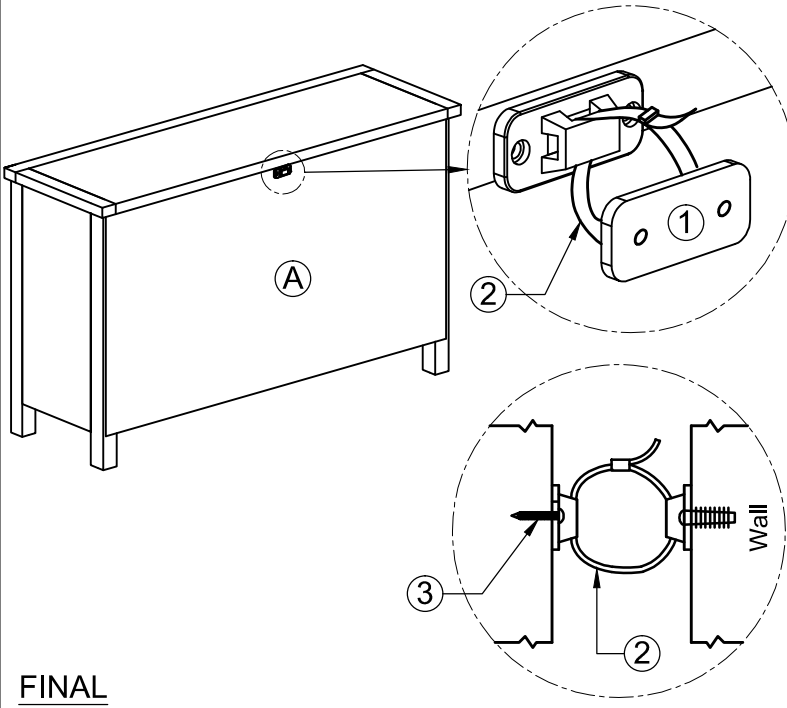
No	Name of Hardware	Q.ty
1	Bracket 	2
2	Tie 	1
3	Screw Ø4 x 20 	2
4	Handle with Bolt 	3 Set



STEP 2



STEP 3



FINAL