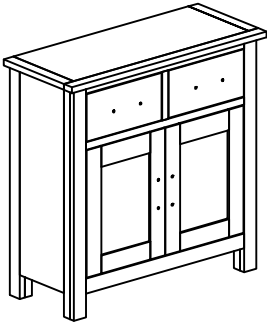
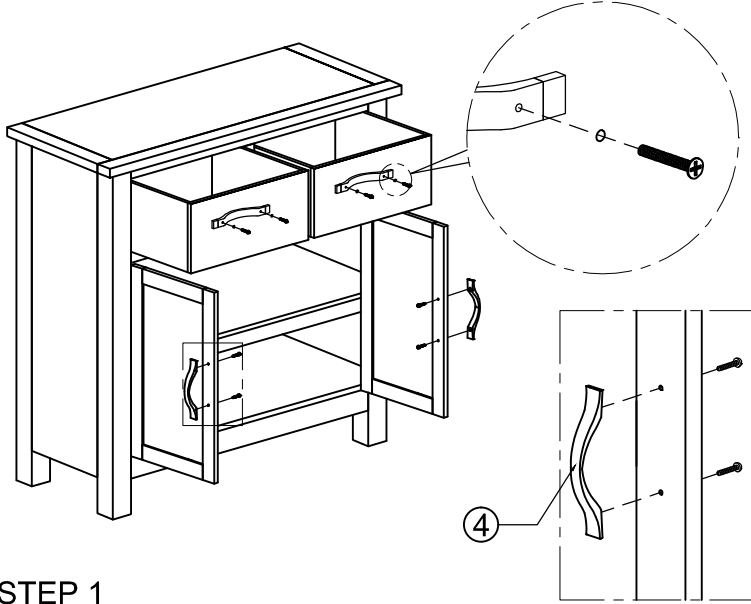






# ASSEMBLY INSTRUCTION G1995 - SMALL BOOKCASE

No	Name of Component	Q.ty
A		1



No	Name of Hardware	Q.ty
1	Bracket 	2
2	Tie 	1
3	Screw Ø4 x 20 	2
4	Handle with Bolt 	2 Set

