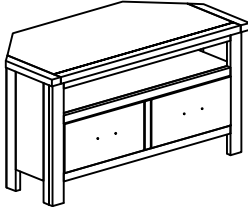
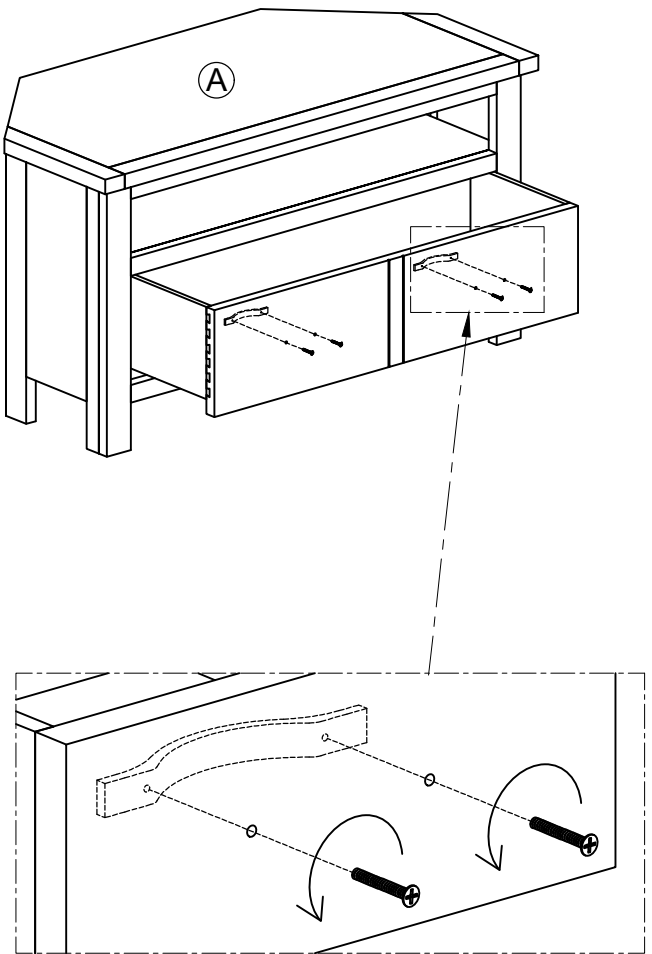
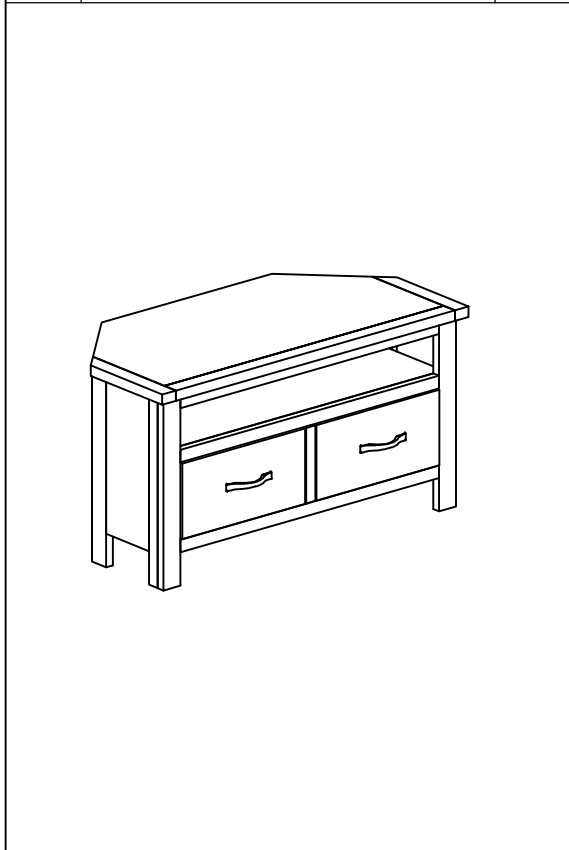


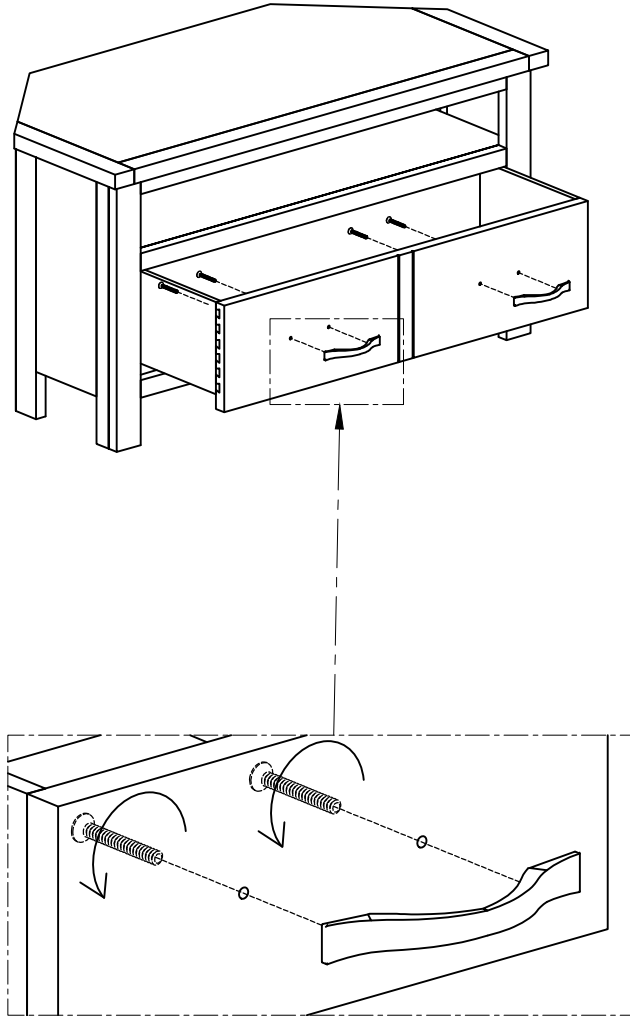
ASSEMBLY INSTRUCTION

G1990 - CORNER TV UNIT

No	Name of Component	Q.ty
(A)		1



STEP 1



STEP 2