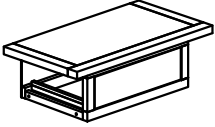

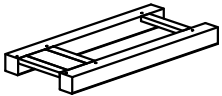



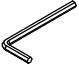



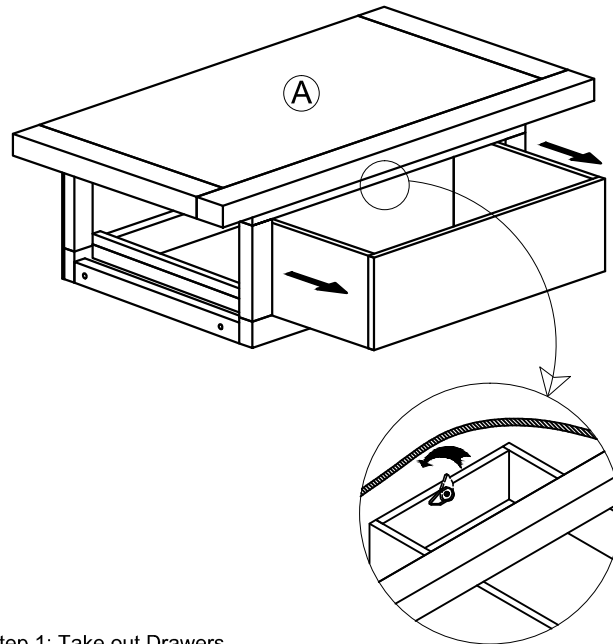


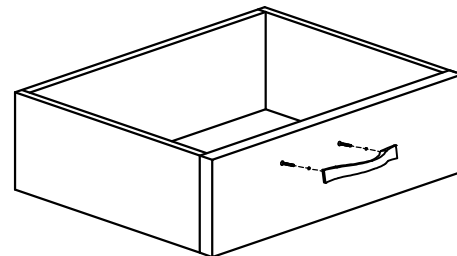
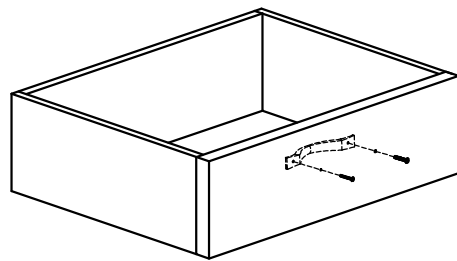
# ASSEMBLY INSTRUCTION

## G1987 - TELEPHONE TABLE

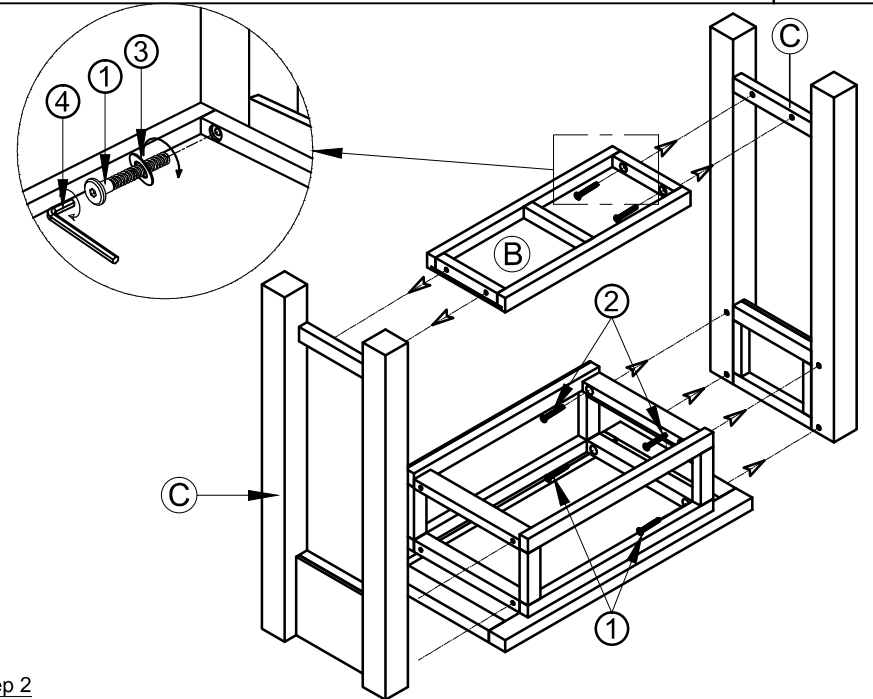
No	Name of Component	Q.ty
Ⓐ	 Table top frame	1
Ⓑ	 Shelf	1
Ⓒ	 Leg	2
No	Name of Hardware	Q.ty
①	 Bolt M6 x 35	8
②	 Bolt M6 x 60	4
③	 Washer Ø7/Ø15 x 1	12
④	 Allen key K4	1
⑤	 Bracket	2
⑥	 Tie	1
⑦	 Screw Ø4 x 20	2



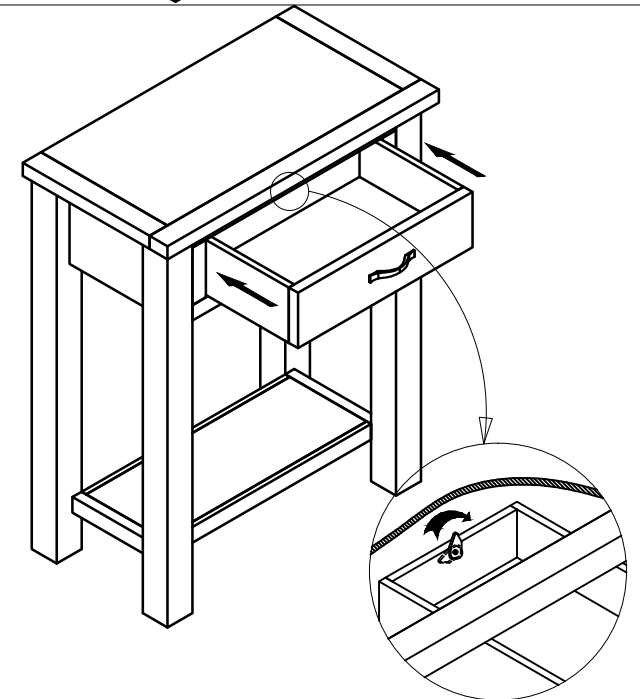
Step 1: Take out Drawers



Step 3



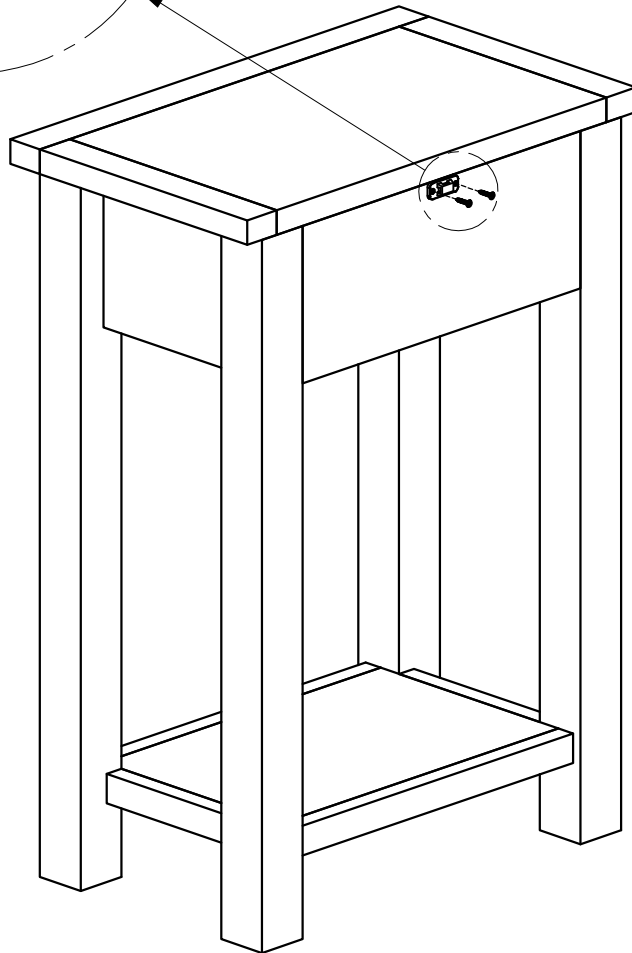
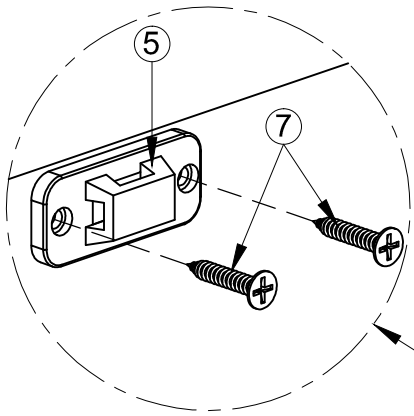
Step 2



Step 4

# ASSEMBLY INSTRUCTION G1987 - TELEPHONE TABLE

Step 5



FINAL

