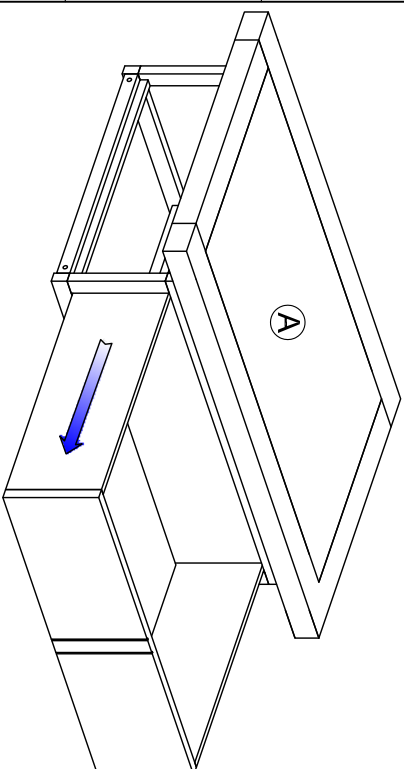
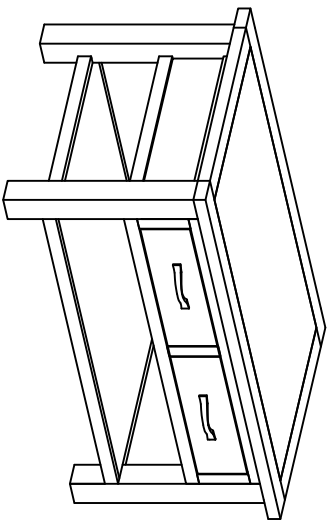
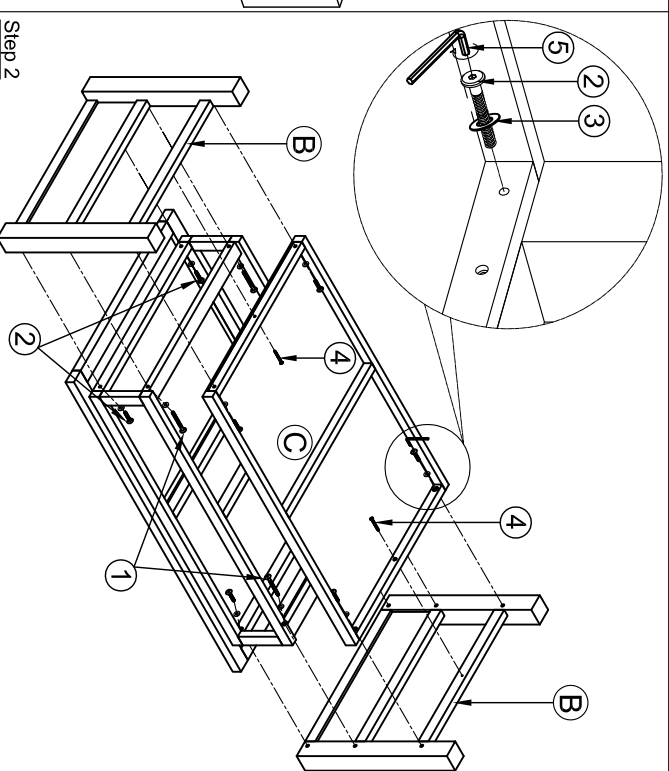


ASSEMBLY INSTRUCTION COFFEE TABLE

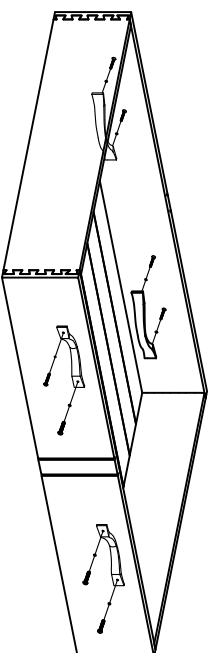
No	Name of Component	Q.ty
(A)	Table top frame	1
(B)	Leg frame	2
(C)	Shelf	1
No	Name of Hardware	Q.ty
(1)	Bolt M6 x 60	4
(2)	Bolt M6 x 40	8
(3)	Washer Ø7/Ø15 x 1	12
(4)	Screw M4 x 35	2
(5)	Allen key (K4)	1



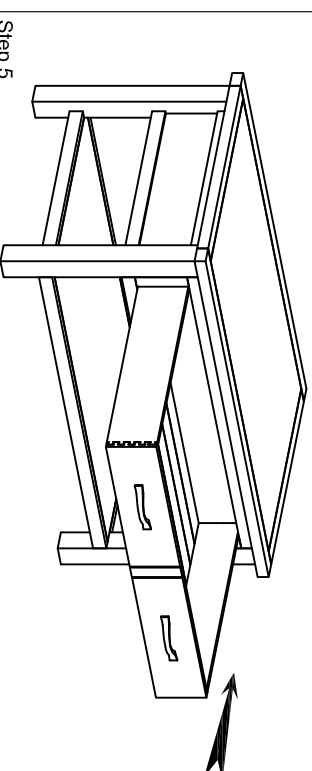
Step 1: Take out the Drawer



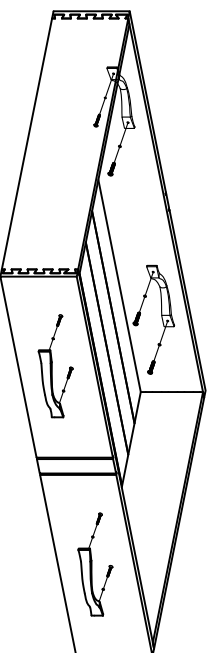
Step 2



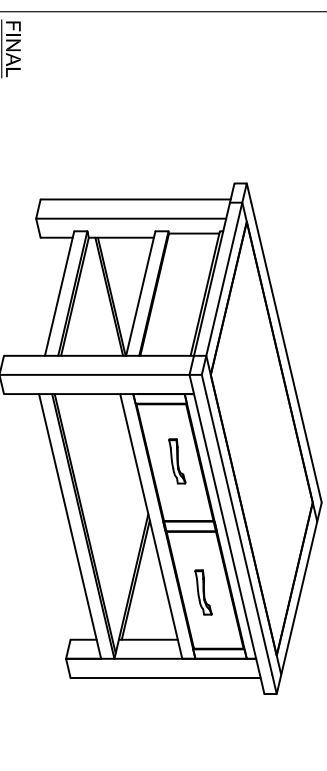
Step 3



Step 5



Step 4



FINAL