






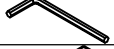


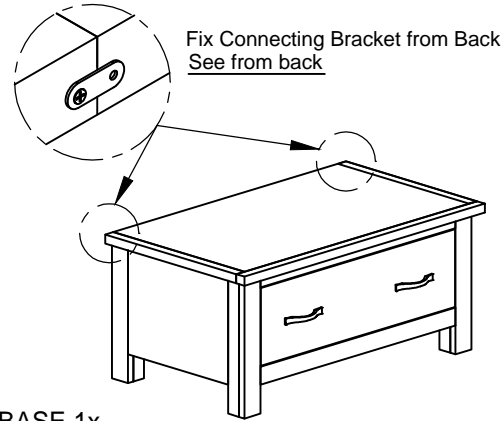
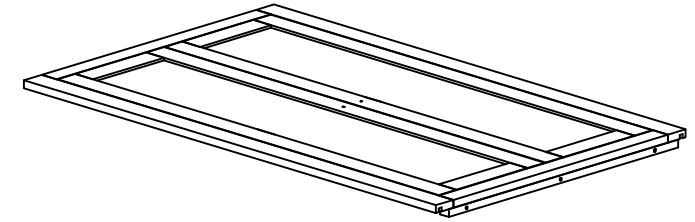


ASSEMBLY INSTRUCTION G1977 - GENTS WARDROBE

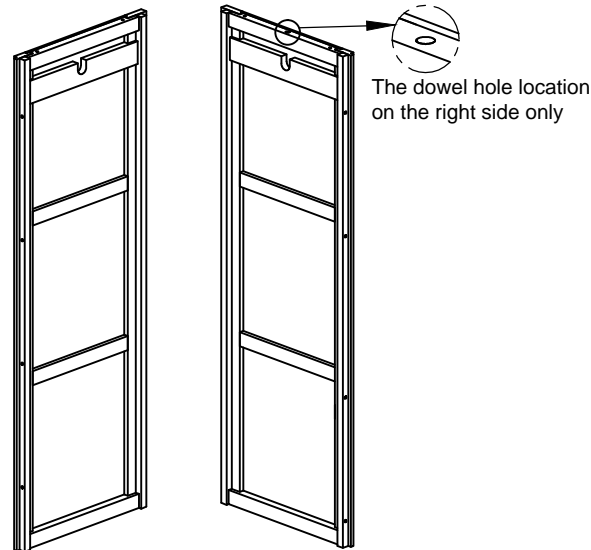
No	List of Hardware	FIG	Q.Ty (pcs)
①	Bolt M6x35		8
②	Screw Ø4x35		16
③	Screw Ø4x20		6
④	Screw Ø4x45		3
⑤	Wooden Dowel Ø8x30		1
⑥	Handle with bolt		2 (Sets)
⑦	Washer		8
⑧	Allen key		1
⑨	Bracket		2
⑩	Tie		1



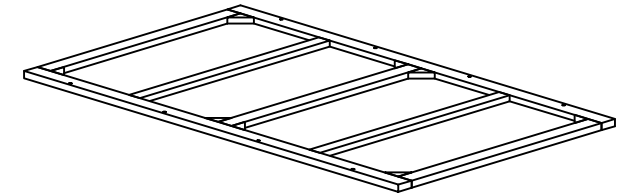
Ⓐ - BASE 1x



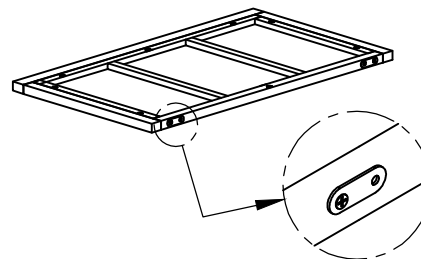
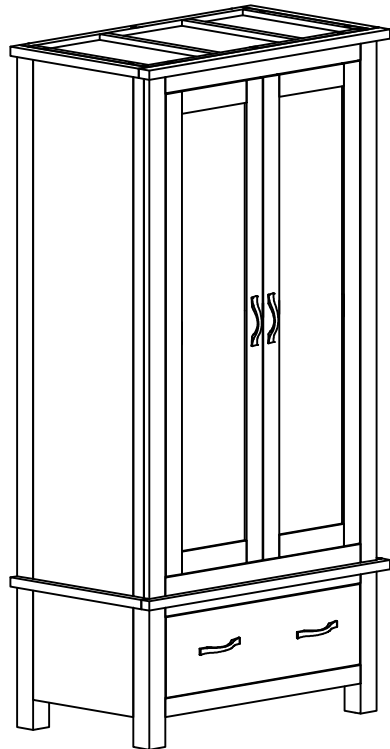
Ⓑ - FRONT FRAME WITH DOOR 1X



Ⓒ - RIGHT FRAME 1X AND LEFT FRAME 1X



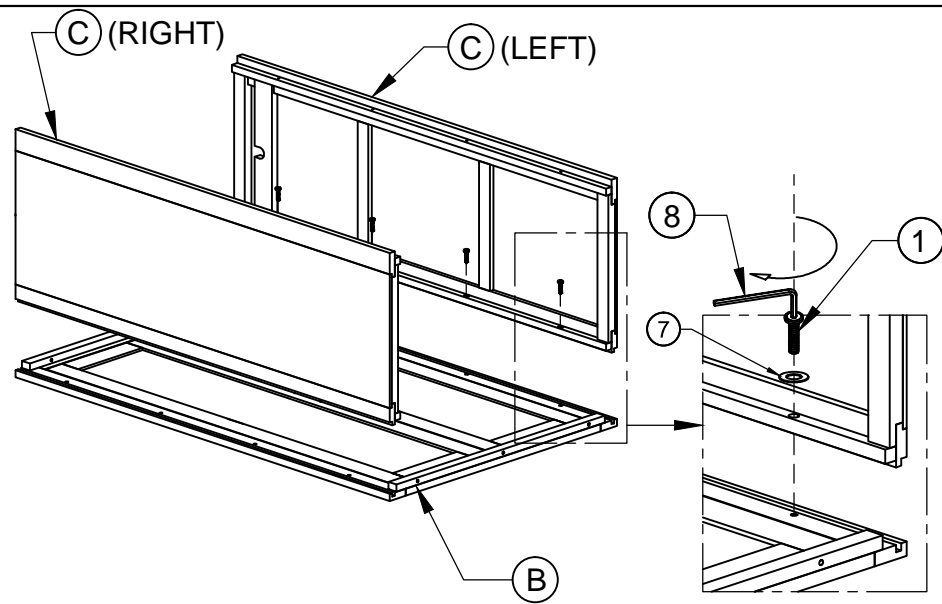
Ⓓ - BACK FRAME 1X



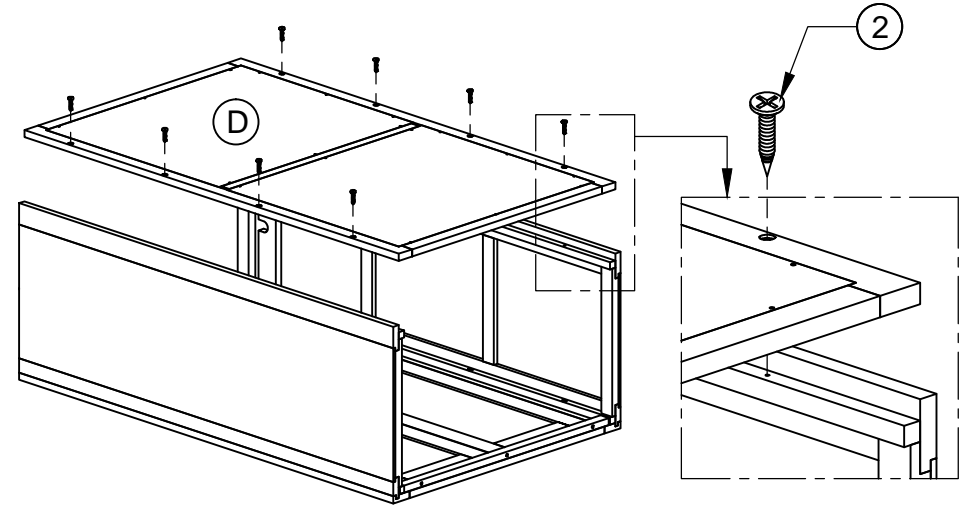
Ⓔ - TOP FRAME 1X



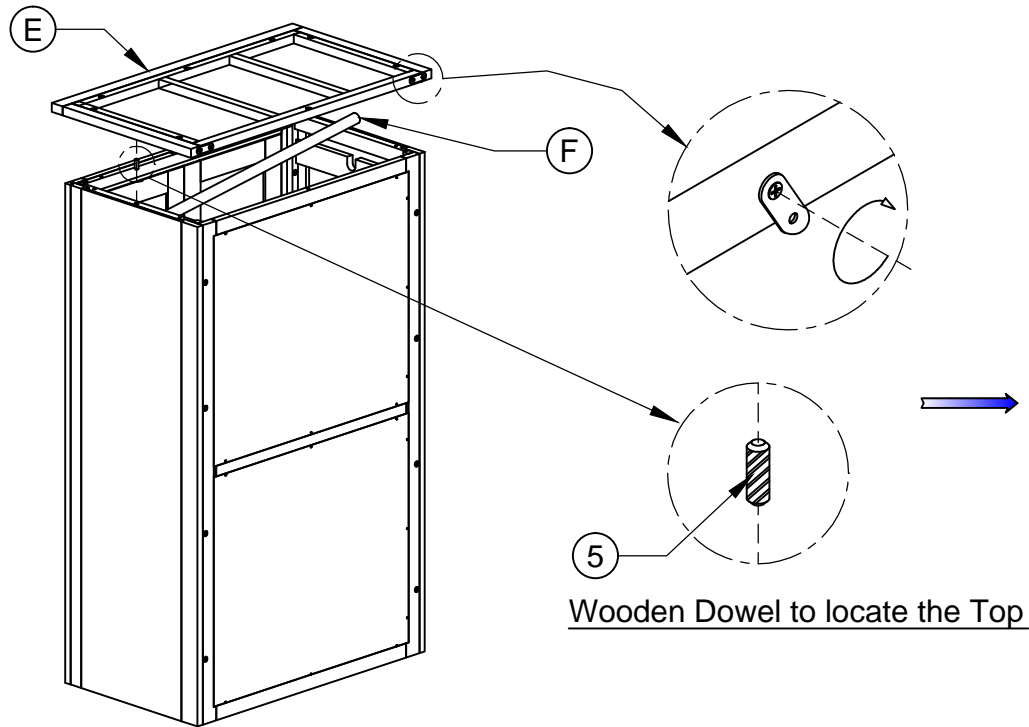
Ⓕ - HANGING RAIL 1X



STEP 1

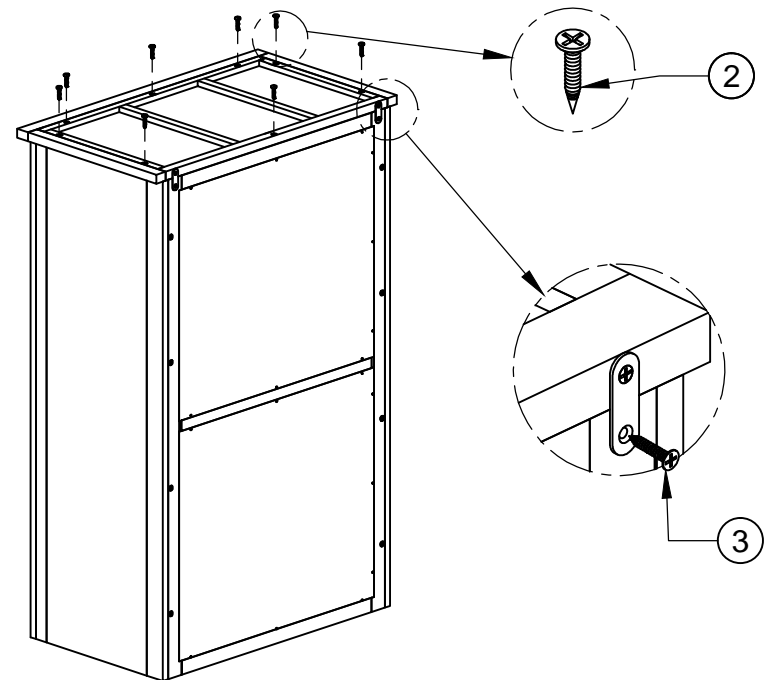


STEP 2

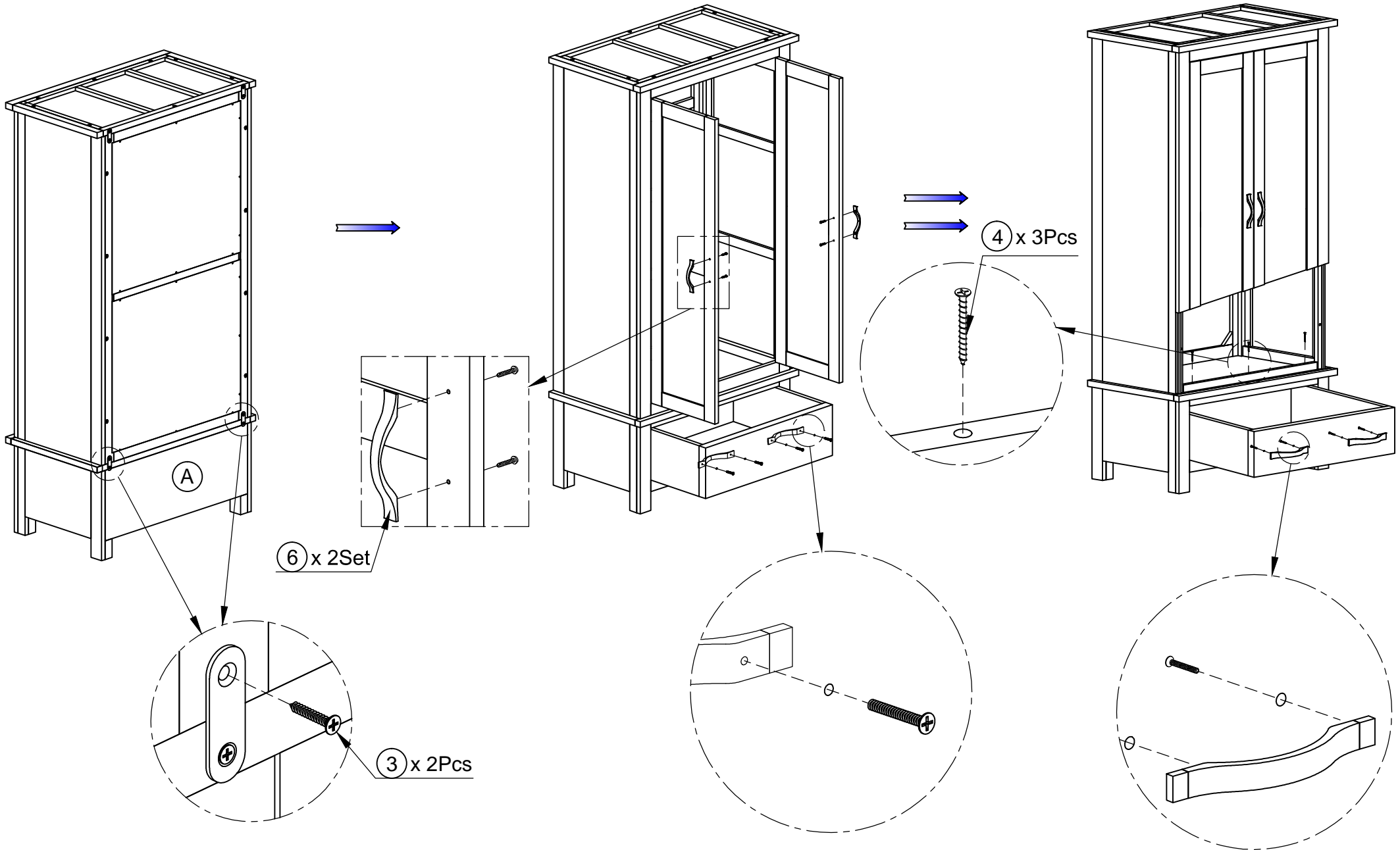


Wooden Dowel to locate the Top

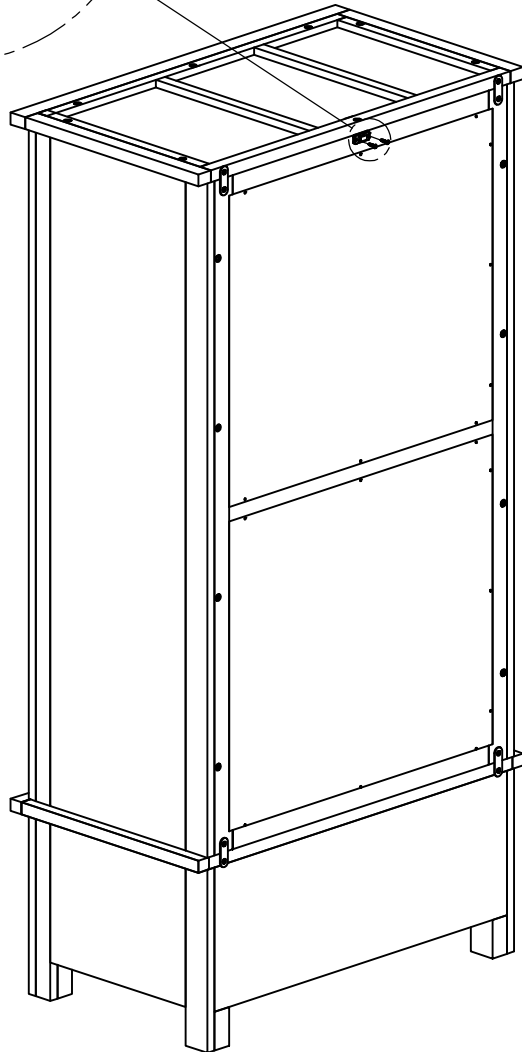
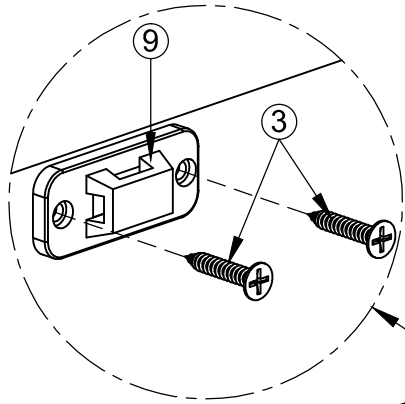
STEP 3



STEP 4



STEP 5



FINAL

