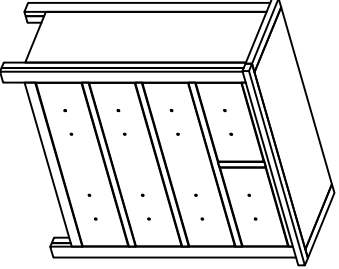



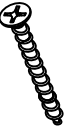
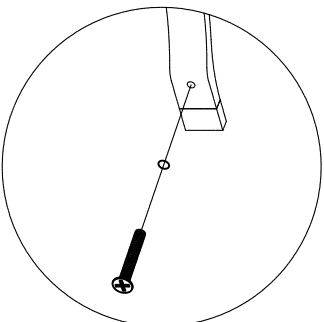
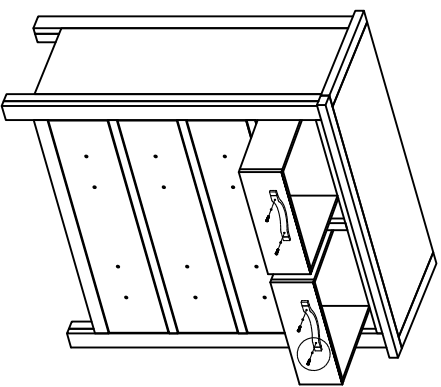


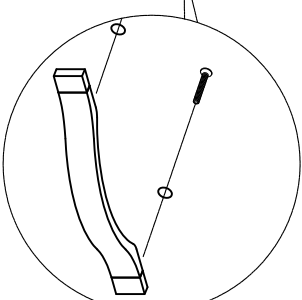
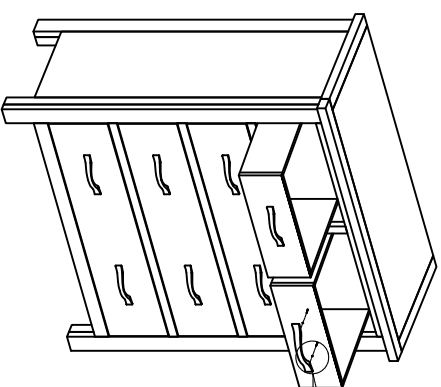
# ASSEMBLY INSTRUCTION

## Chest 2 Over 3

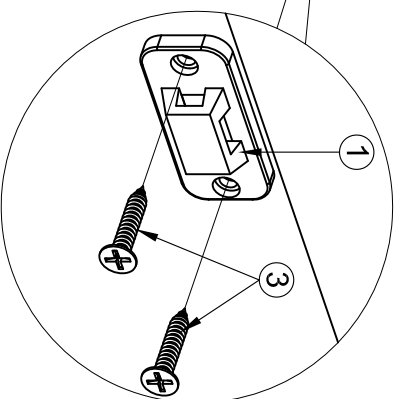
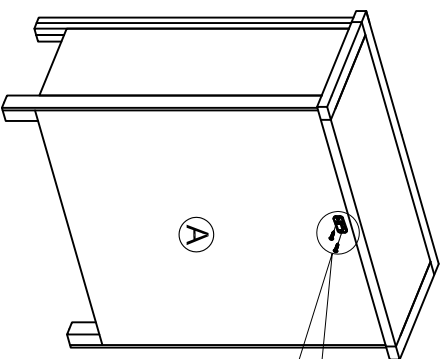
No	Name of Component	Qty
	Chest 2 over 3	
(A)		1
No	Name of Hardware	Qty
(1)	Bracket 	2
(2)	Tie 	1
(3)	Screw M4 x 20 	2
(4)	Screw M4 x 35 	2



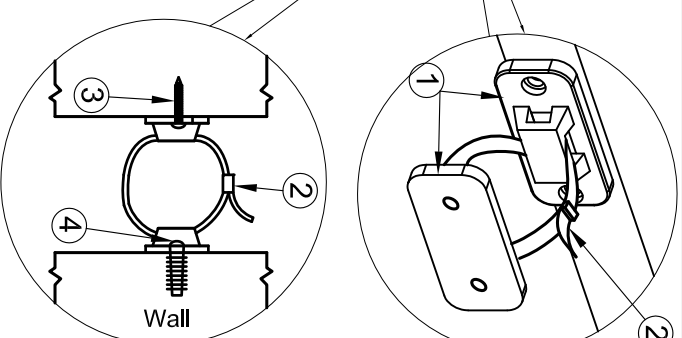
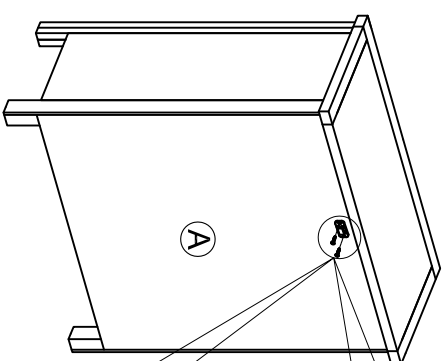
STEP 1



STEP 2



STEP 3



FINAL

